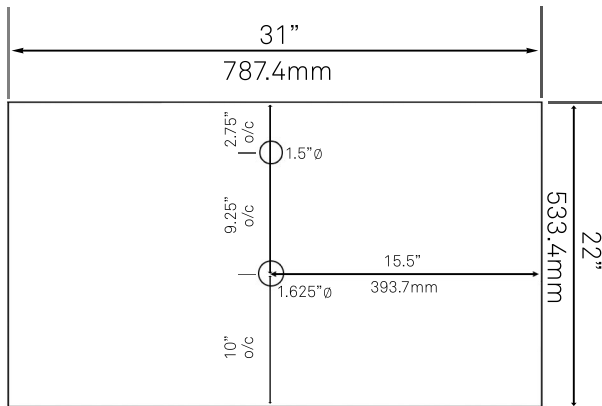




30-in Bath Vanity with Carrara Marble Counter, Backsplash and Handles, NOBV-30SG-CARBN

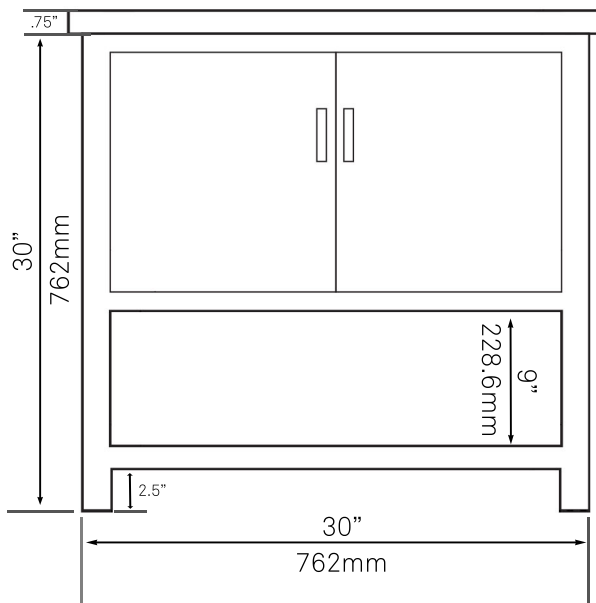
Requested By: _____

Specific Features: _____



STANDARD SPECIFICATIONS:

- 30-inch bathroom vanity in storm grey
- Carrara marble counter
- Includes: handles, countertop, backsplash and vanity
- Constructed of solid wood and veneer
- Thick 3/4-inch side panels
- Freestanding installation
- Back wall cut-out of 8" x 11"
- Vanity comes fully assembled
- Tip-resistant strap included



WARRANTY:

Limited lifetime warranty

- See www.Novatto.com for details

COORDINATING ACCESSORIES:

- NVMR-3036SG matching mirror
- See other options with natural stone countertops and backsplash

NOTES

Novatto reserves the right (1) to make changes in specifications and materials, and (2) to change or discontinue models, both without notice or obligation. Dimensions are for reference only, see www.Novatto.com for finish options and product availability.

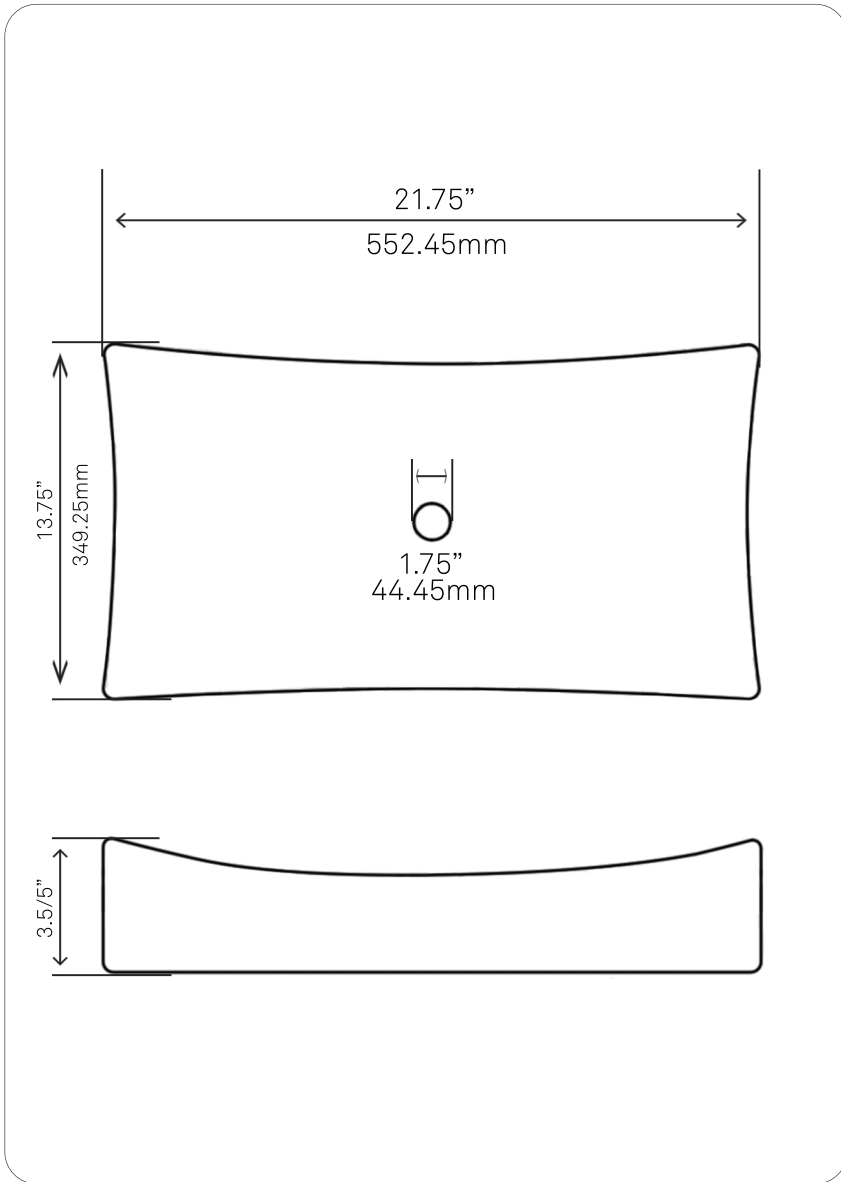
Novatto Inc
TOLL FREE 844.404.4242
www.Novatto.com



NP-01141 Modern White Porcelain Vessel Sink, No Overflow

Requested By:

Specific Features:



STANDARD SPECIFICATIONS:

- All 4 sides, bright white glossy porcelain vessel sink
- No overflow
- Easy to clean
- Scratch resistant and non-porous surface
- Designed for above counter installation
- Standard plumbing connections
- 1.75" standard drain opening
- OD: 21.75" x 13.75" x 3.5/5-inches tall

WARRANTY:

Limited lifetime warranty

- See www.Novatto.com for details

COORDINATING ACCESSORIES:

- UPD-BN/CH/ORB/MB drain
- Glacier Ice Restoration and Sealer kit

NOTES

Novatto reserves the right (1) to make changes in specifications and materials, and (2) to change or discontinue models, both without notice or obligation. Dimensions are for reference only, see www.Novatto.com for finish options and product availability.

Novatto Inc
TOLL FREE 844.404.4242
www.Novatto.com



NOVATTO

GF-368CH STARKS Single Lever Vessel Faucet, Chrome

Requested By: _____

Specific Features: _____

STANDARD SPECIFICATIONS:

- Chrome finish
- Single handle control
- Solid brass construction
- High pressure ceramic cartridge
- Single hole deck mount installation
- 1.5-inch diameter hole required
- Mounting hardware included
- Spout reach: 4.5-inches
- Spout height: 8.75-inches
- cUPC and AB1953 low lead compliant
- ASME A112.18.1-1-2011/CSA B125.1-11
- NSF 61 and NSF 372 certified

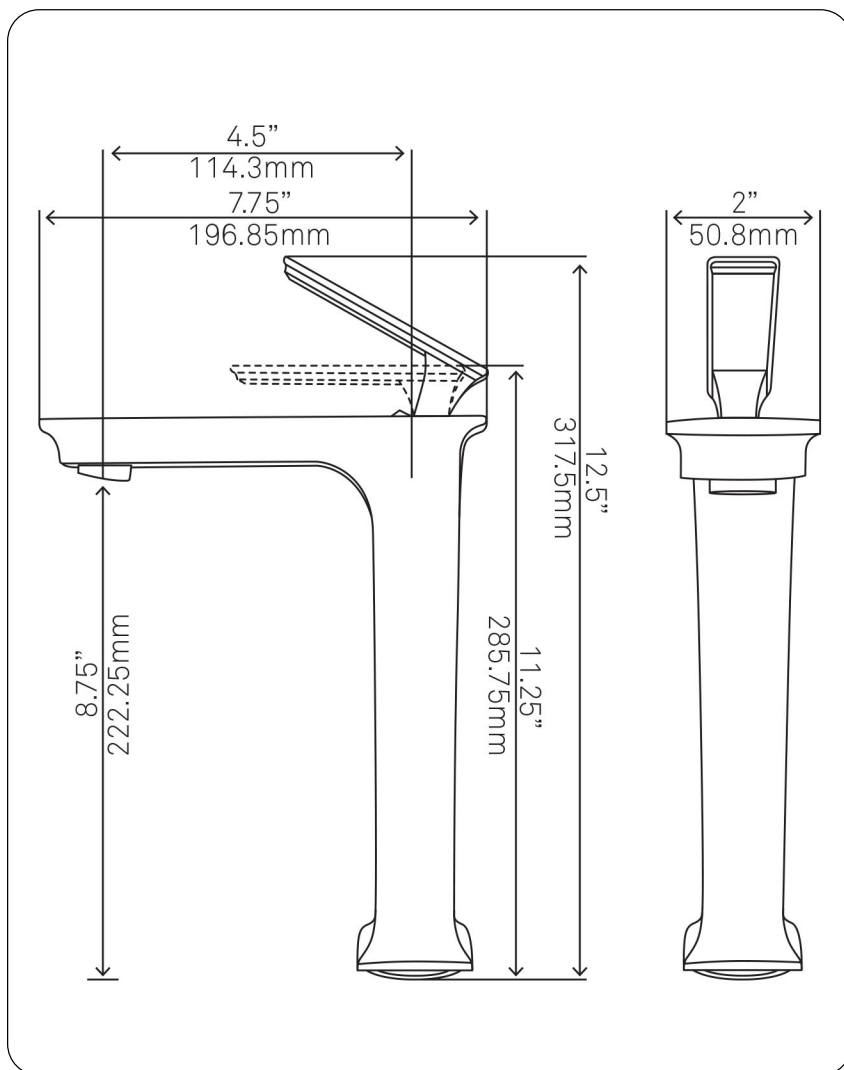
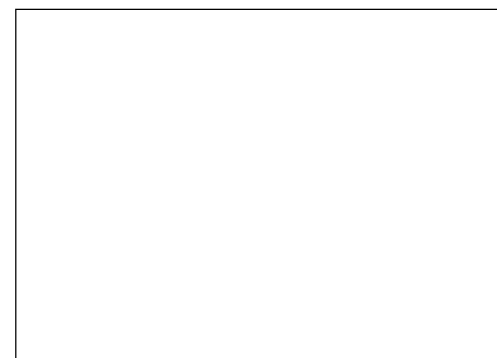
WARRANTY:

- Limited lifetime warranty
- See www.Novatto.com for details

COORDINATING ACCESSORIES:

- PUD-CH pop-up drain
- MR-001CH mounting ring
- Glacier Ice Restoration and Sealer kit

NOTES



Novatto reserves the right (1) to make changes in specifications and materials, and (2) to change or discontinue models, both without notice or obligation. Dimensions are for reference only, see www.Novatto.com for finish options and product availability.

Novatto Inc
TOLL FREE 844.404.4242
www.Novatto.com



UPD-CH Umbrella Drain, Chrome

Requested By: _____

Specific Features: _____

STANDARD SPECIFICATIONS:

- Umbrella vessel sink drain
- Chrome finish
- Solid brass construction
- Includes rubber seals and fastener for installation
- 9.5-inches total length
- Fits any standard 1.75-inch drain opening
- cUPC

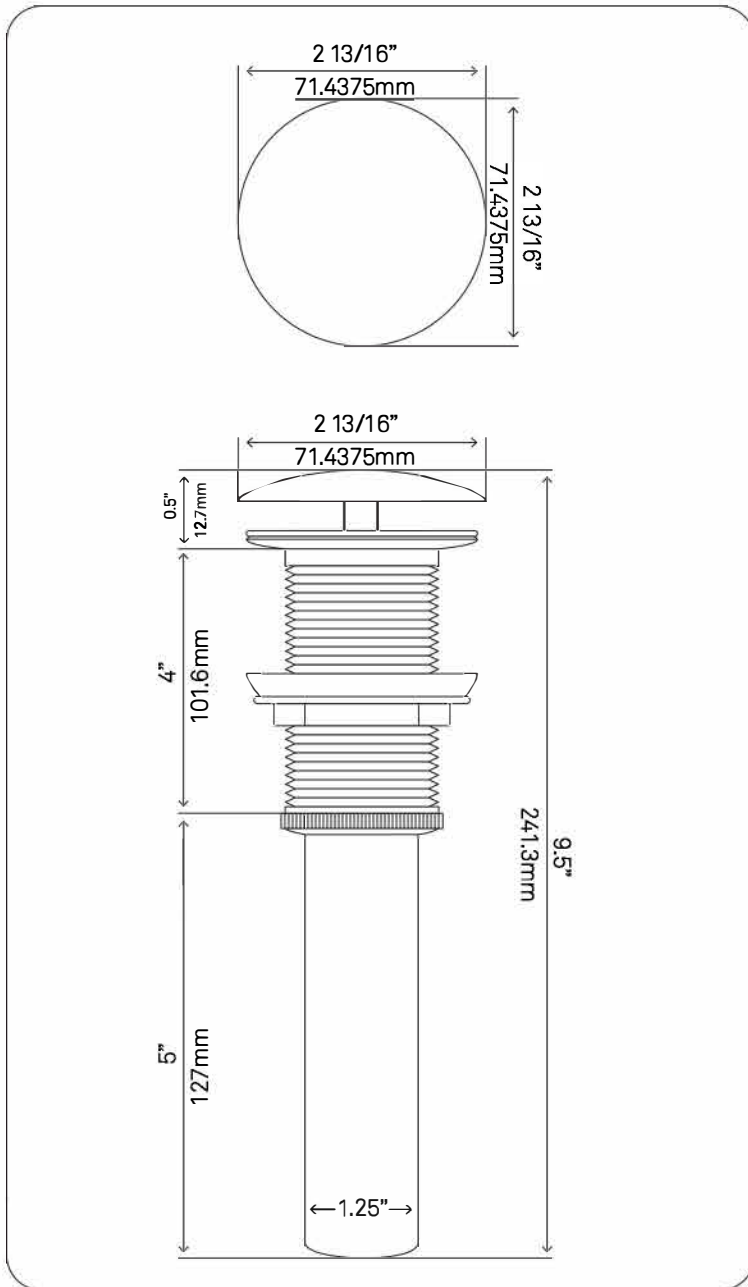
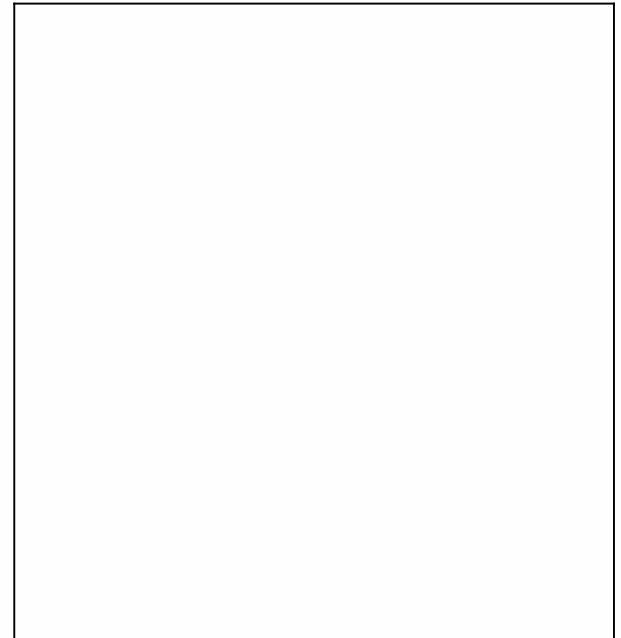
WARRANTY:

- Limited lifetime warranty
- See www.Novatto.com for details

COORDINATING ACCESSORIES:

- Glacier Ice Restoration and Sealer kit
- Chrome Mounting Ring

NOTES



Novatto reserves the right (1) to make changes in specifications and materials, and (2) to change or discontinue models, both without notice or obligation. Dimensions are for reference only, see www.Novatto.com for finish options and product availability.

Novatto Inc
 TOLL FREE
 844.404.4242
www.Novatto.com