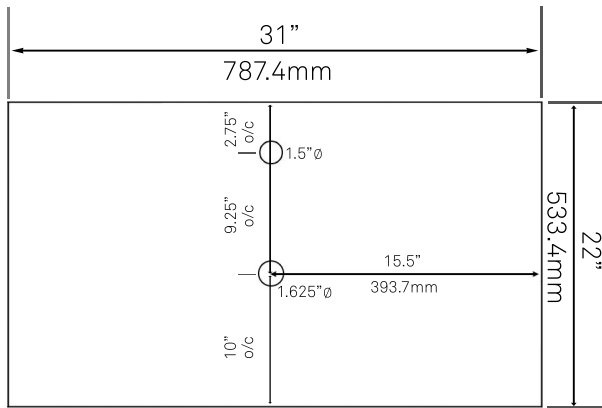




## 30-in Bath Vanity with Carrara Marble Counter, Backsplash and Handles, NOBV-30SG-CARBN

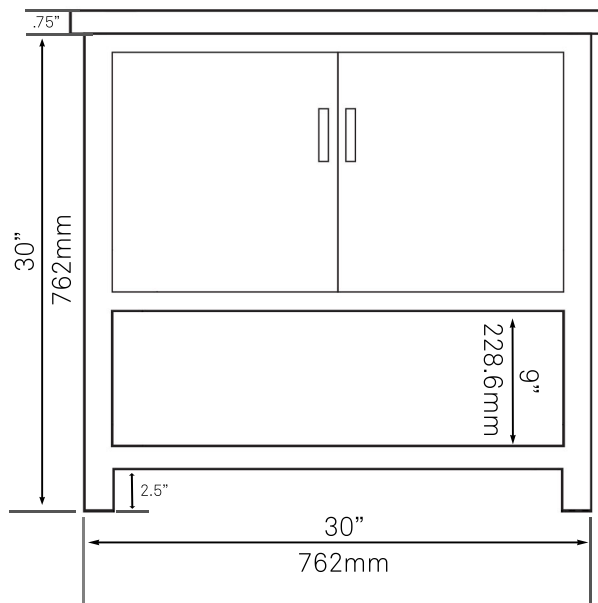
Requested By: \_\_\_\_\_

Specific Features: \_\_\_\_\_



### STANDARD SPECIFICATIONS:

- 30-inch bathroom vanity in storm grey
- Carrara marble counter
- Includes: handles, countertop, backsplash and vanity
- Constructed of solid wood and veneer
- Thick 3/4-inch side panels
- Freestanding installation
- Back wall cut-out of 8" x 11"
- Vanity comes fully assembled
- Tip-resistant strap included



### WARRANTY:

Limited lifetime warranty

- See [www.Novatto.com](http://www.Novatto.com) for details

### COORDINATING ACCESSORIES:

- NVMR-3036SG matching mirror
- See other options with natural stone countertops and backsplash

### NOTES

Novatto reserves the right (1) to make changes in specifications and materials, and (2) to change or discontinue models, both without notice or obligation. Dimensions are for reference only, see [www.Novatto.com](http://www.Novatto.com) for finish options and product availability.

Novatto Inc  
TOLL FREE 844.404.4242  
[www.Novatto.com](http://www.Novatto.com)



**NOVATTO**

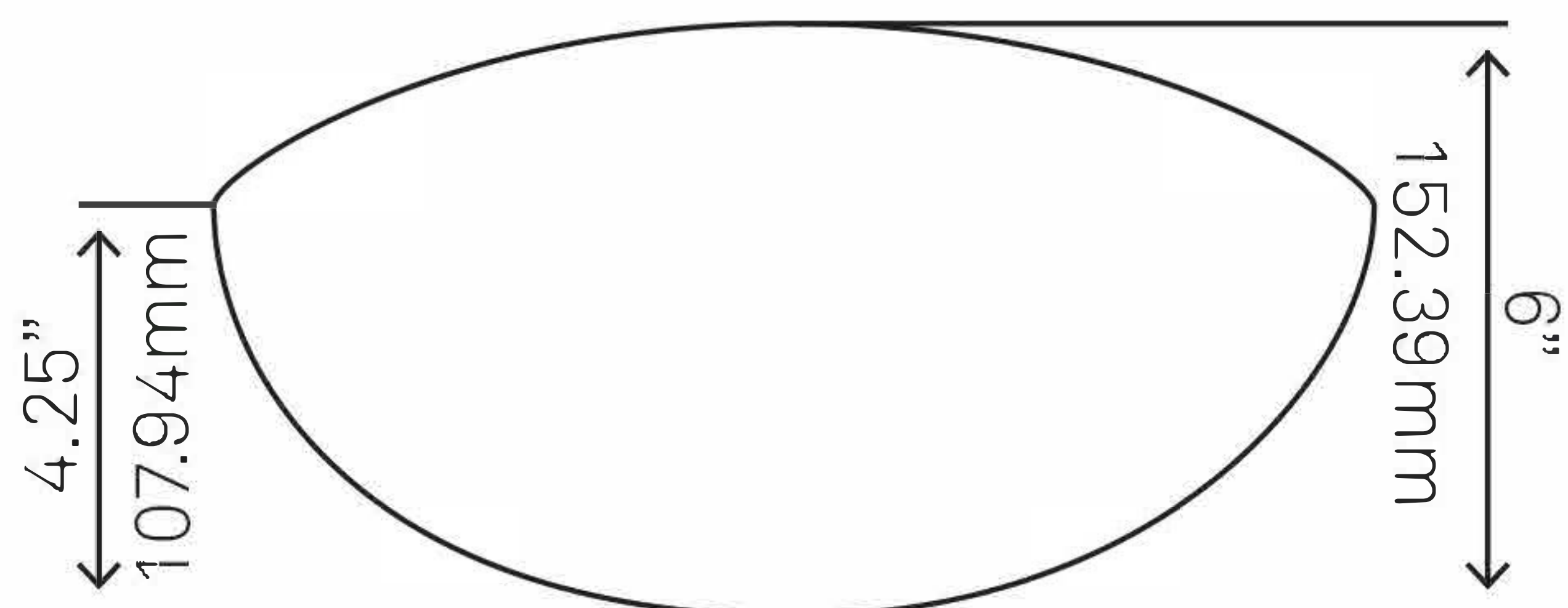
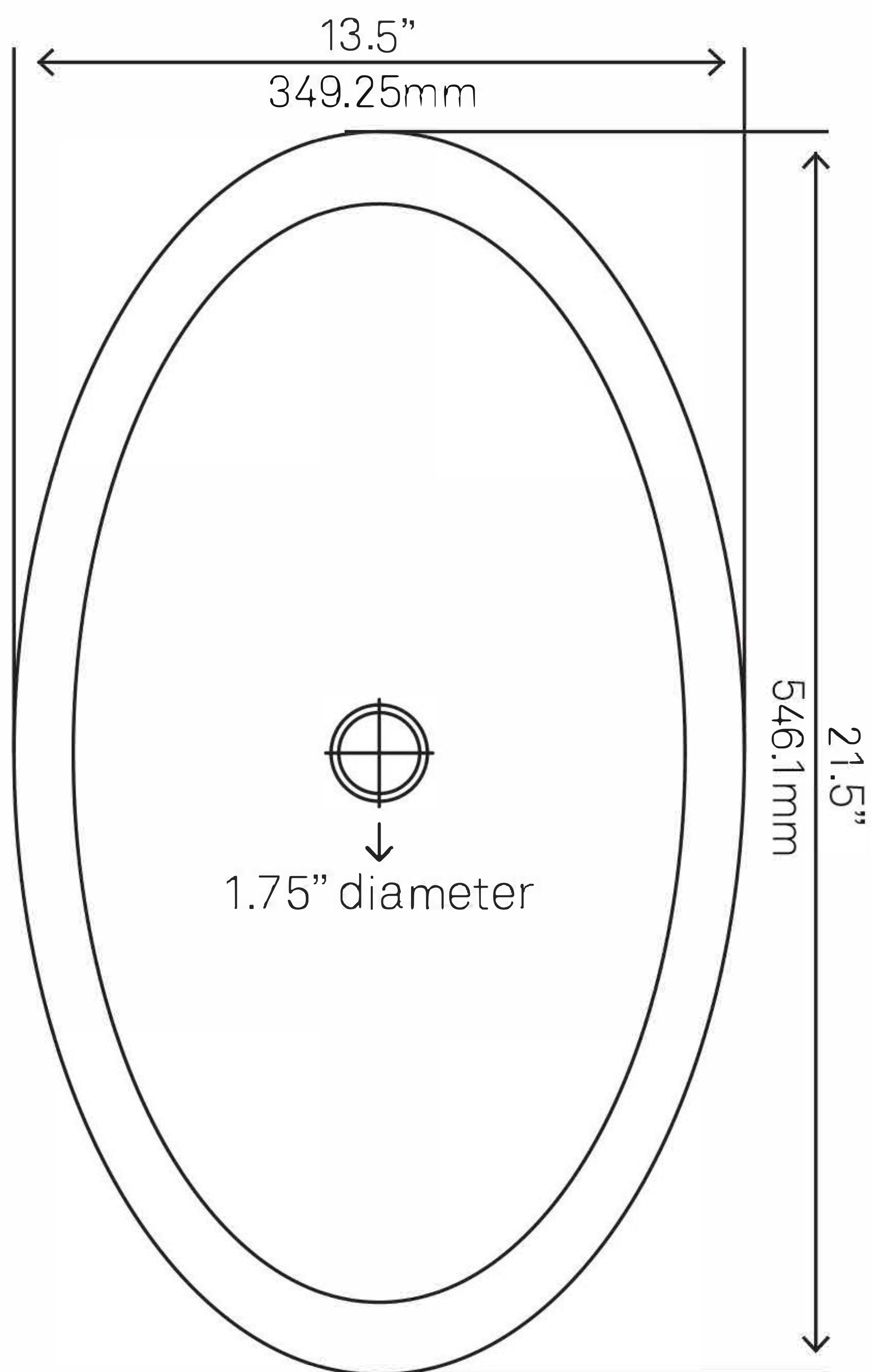
**NOHP-G012-8031 TARTARUGA  
Oval Glass Vessel Bathroom Sink**

Requested By:

---

Specific Features:

---



**STANDARD SPECIFICATIONS:**

- Oval Slipper hand painted vessel sink
- Black and Silver
- High tempered glass
- ½" thick tempered glass
- Stain and scratch resistant inside
- Textured painted outside
- Above counter installation
- Standard U.S. plumbing connection
- 1.75-inch drain opening
- Novatto faucet and drain sold separately

**WARRANTY:**

Limited lifetime warranty

- See [www.Novatto.com](http://www.Novatto.com) for details

**COORDINATING ACCESSORIES:**

- PUD-BN/CH/ORB/MB pop-up drain
- MR-001BN/CH/MB/ORB
- Glacier Ice Restoration and Sealer kit

**NOTES**



Novatto reserves the right (1) to make changes in specifications and materials, and (2) to change or discontinue models, both without notice or obligation. Dimensions are for reference only, see [www.Novatto.com](http://www.Novatto.com) for finish options and product availability.

Novatto Inc  
TOLL FREE 844.404.4242  
[www.Novatto.com](http://www.Novatto.com)



**PUD-BN-MR Vessel Sink Pop-Up Drain and Mounting Ring, Brushed Nickel**

Requested By: \_\_\_\_\_

Specific Features: \_\_\_\_\_

**STANDARD SPECIFICATIONS:**

- Clicker pop-up vessel sink drain and mounting ring
- Brushed nickel finish
- Solid brass construction
- Includes rubber seals and fastener for installation
- 9-inches total pop-up length
- Fits any standard 1.75-inch drain opening
- Tailpipe dia. 1.25-inches
- Drain flange 2.375-inches
- Mounting ring inside hole diam 1.625-inches
- cUPC

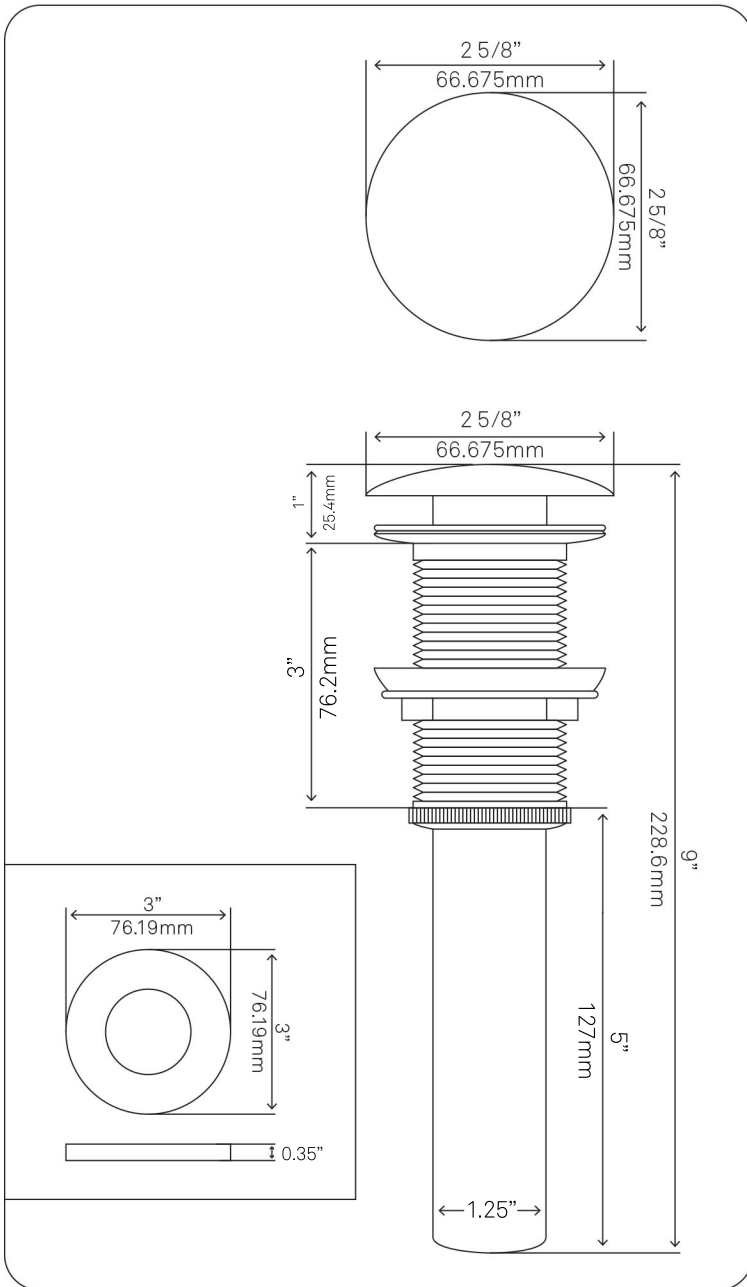
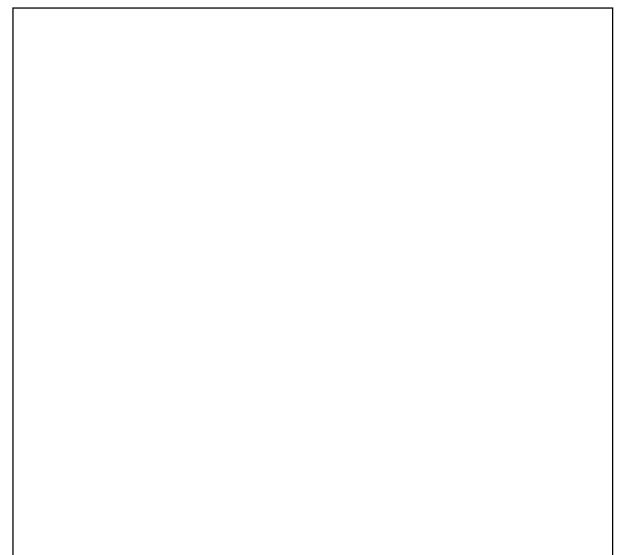
**WARRANTY:**

- Limited lifetime warranty
- See [www.Novatto.com](http://www.Novatto.com) for details

**COORDINATING ACCESSORIES:**

- Glacier Ice Restoration and Sealer kit

**NOTES**



Novatto reserves the right (1) to make changes in specifications and materials, and (2) to change or discontinue models, both without notice or obligation. Dimensions are for reference only, see [www.Novatto.com](http://www.Novatto.com) for finish options and product availability.

Novatto Inc  
TOLL FREE 844.404.4242  
[www.Novatto.com](http://www.Novatto.com)