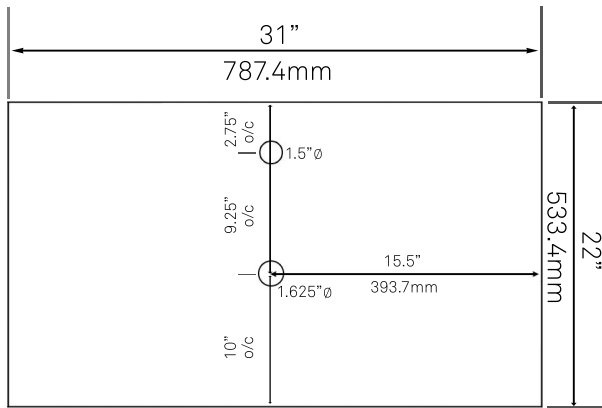




## 30-in Bath Vanity with Carrara Marble Counter, Backsplash and Handles, NOBV-30SG-CARBN

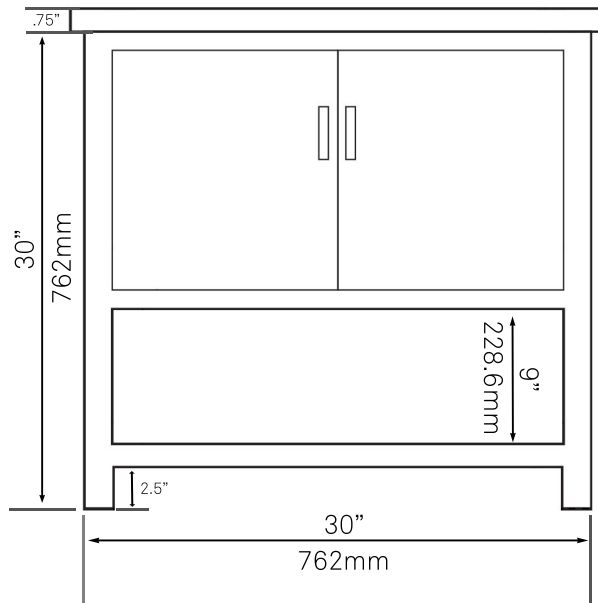
Requested By: \_\_\_\_\_

Specific Features: \_\_\_\_\_



### STANDARD SPECIFICATIONS:

- 30-inch bathroom vanity in storm grey
- Carrara marble counter
- Includes: handles, countertop, backsplash and vanity
- Constructed of solid wood and veneer
- Thick 3/4-inch side panels
- Freestanding installation
- Back wall cut-out of 8" x 11"
- Vanity comes fully assembled
- Tip-resistant strap included



### WARRANTY:

Limited lifetime warranty

- See [www.Novatto.com](http://www.Novatto.com) for details

### COORDINATING ACCESSORIES:

- NVMR-3036SG matching mirror
- See other options with natural stone countertops and backsplash

### NOTES

Novatto reserves the right (1) to make changes in specifications and materials, and (2) to change or discontinue models, both without notice or obligation. Dimensions are for reference only, see [www.Novatto.com](http://www.Novatto.com) for finish options and product availability.

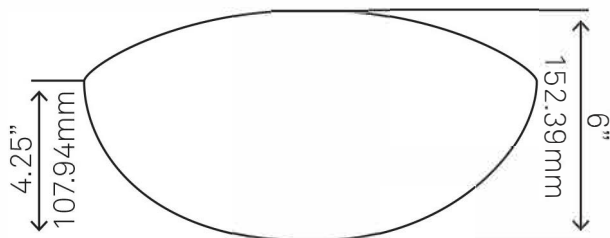
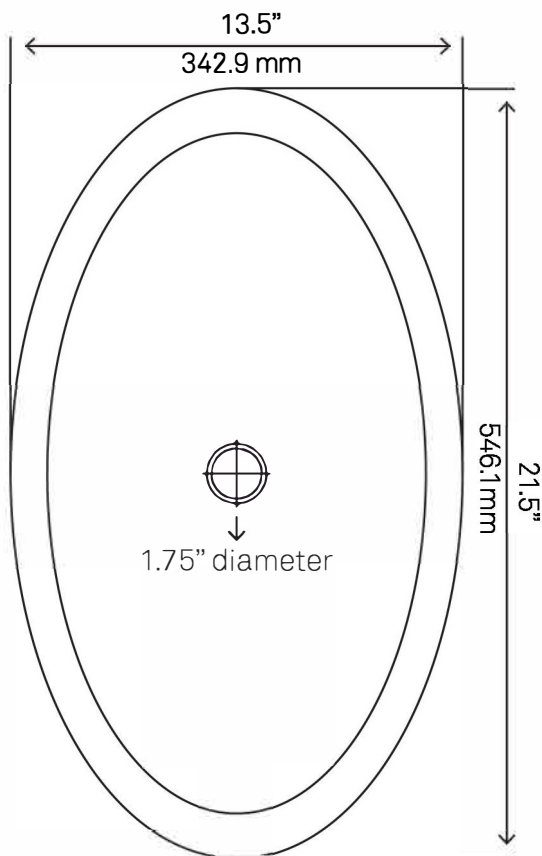
Novatto Inc  
TOLL FREE 844.404.4242  
[www.Novatto.com](http://www.Novatto.com)



## TIS-324C CHIARO Clear Glass Vessel Sink

Requested By: \_\_\_\_\_

Specific Features: \_\_\_\_\_



Novatto reserves the right (1) to make changes in specifications and materials, and (2) to change or discontinue models, both without notice or obligation. Dimensions are for reference only, see [www.Novatto.com](http://www.Novatto.com) for finish options and product availability.

### STANDARD SPECIFICATIONS:

- Oval slipper clear glass vessel
- Made with high tempered glass
- Scratch resistant and non-porous
- Designed for above counter installation
- Standard U.S. plumbing connections
- 1.75-inch drain opening
- No overflow

### WARRANTY:

Limited lifetime warranty

- See [www.Novatto.com](http://www.Novatto.com) for details

### COORDINATING ACCESSORIES:

- PUD-BN/CH/ORB pop-up drain
- MR-001 BN/CH/ORB
- Glacier Ice Restoration and Sealer kit

### NOTES

Novatto Inc  
TOLL FREE 844.404.4242  
[www.Novatto.com](http://www.Novatto.com)



**PUD-BN-MR Vessel Sink Pop-Up Drain and Mounting Ring, Brushed Nickel**

Requested By: \_\_\_\_\_

Specific Features: \_\_\_\_\_

**STANDARD SPECIFICATIONS:**

- Clicker pop-up vessel sink drain and mounting ring
- Brushed nickel finish
- Solid brass construction
- Includes rubber seals and fastener for installation
- 9-inches total pop-up length
- Fits any standard 1.75-inch drain opening
- Tailpipe dia. 1.25-inches
- Drain flange 2.375-inches
- Mounting ring inside hole diam 1.625-inches
- cUPC

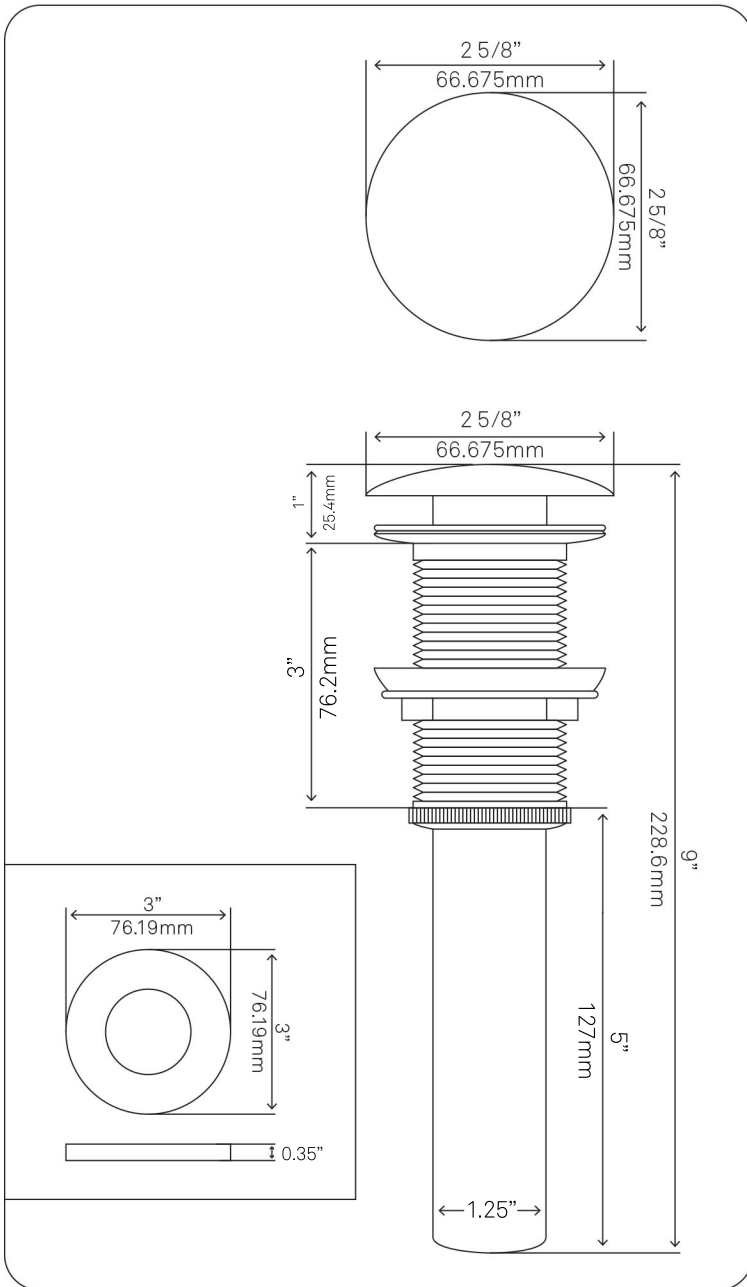
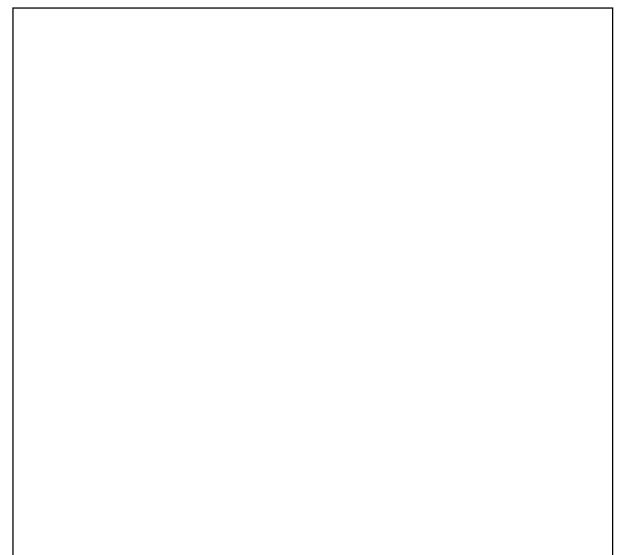
**WARRANTY:**

- Limited lifetime warranty
- See [www.Novatto.com](http://www.Novatto.com) for details

**COORDINATING ACCESSORIES:**

- Glacier Ice Restoration and Sealer kit

**NOTES**



Novatto reserves the right (1) to make changes in specifications and materials, and (2) to change or discontinue models, both without notice or obligation. Dimensions are for reference only, see [www.Novatto.com](http://www.Novatto.com) for finish options and product availability.

Novatto Inc  
TOLL FREE 844.404.4242  
[www.Novatto.com](http://www.Novatto.com)