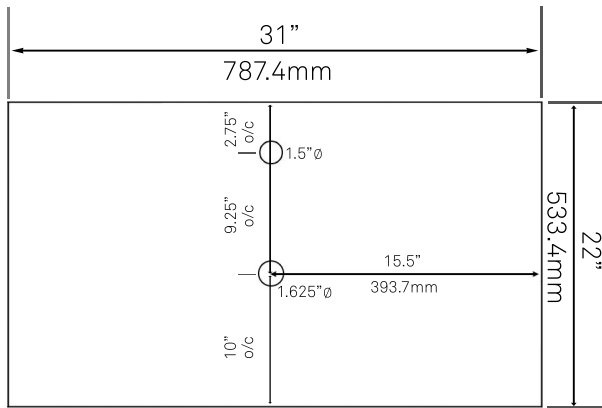




30-in Bath Vanity with Carrara Marble Counter, Backsplash and Handles, NOBV-30SG-CARBN

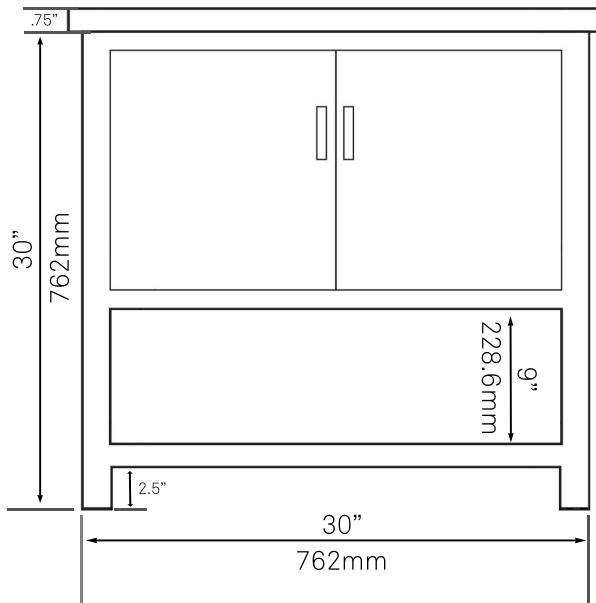
Requested By: _____

Specific Features: _____



STANDARD SPECIFICATIONS:

- 30-inch bathroom vanity in storm grey
- Carrara marble counter
- Includes: handles, countertop, backsplash and vanity
- Constructed of solid wood and veneer
- Thick 3/4-inch side panels
- Freestanding installation
- Back wall cut-out of 8" x 11"
- Vanity comes fully assembled
- Tip-resistant strap included



WARRANTY:

Limited lifetime warranty

- See www.Novatto.com for details

COORDINATING ACCESSORIES:

- NVMR-3036SG matching mirror
- See other options with natural stone countertops and backsplash

NOTES

Novatto reserves the right (1) to make changes in specifications and materials, and (2) to change or discontinue models, both without notice or obligation. Dimensions are for reference only, see www.Novatto.com for finish options and product availability.

Novatto Inc
TOLL FREE 844.404.4242
www.Novatto.com

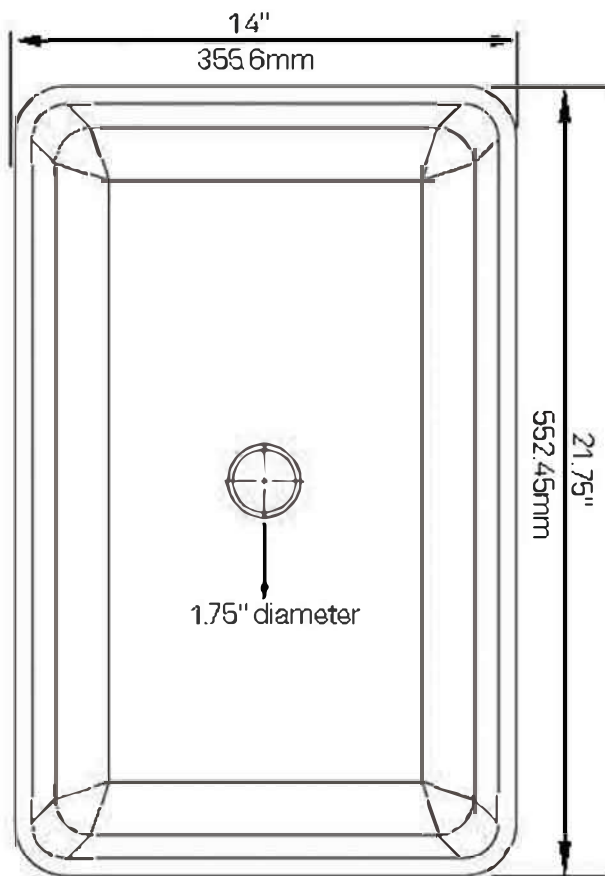


NOVATTO

NOHP-G19034 FRESCA Rectangle Glass Vessel Bath Sink

Requested By:

Specific Features:



STANDARD SPECIFICATIONS:

- Rectangle hand painted vessel sink
- Blue and black tones
- High tempered glass
- Stain and scratch resistant inside
- Textured painted outside
- Above counter installation
- Inside dimen.: 20.75 x 13 x 3-inches
- Standard U.S. plumbing connection
- 1.75-inch drain opening
- Novatto faucet sold separately

WARRANTY:

- Limited lifetime warranty
- See www.NovattoInc.com for details

COORDINATING ACCESSORIES:

- PUD-BN pop-up drain
- Glacier Ice Restoration and Sealer kit

NOTES

Novatto reserves the right (1) to make changes in specifications and materials, and (2) to change or discontinue models, both without notice or obligation. Dimensions are for reference only, see www.NovattoInc.com for finish options and product availability.

Novatto Inc
TOLL FREE 844.404.4242
www.NovattoInc.com



PUD-BN

Vessel Sink Pop-Up Drain, Brushed Nickel

Requested By: _____

Specific Features: _____

STANDARD SPECIFICATIONS:

- Pop-up vessel sink drain
- Brushed nickel finish
- Solid brass construction
- Includes rubber seals and fastener for installation
- 9-inches total length
- Fits any standard 1.75-inch drain opening
- Tailpipe dia. 1.25-inches/3.175cm
- cUPC

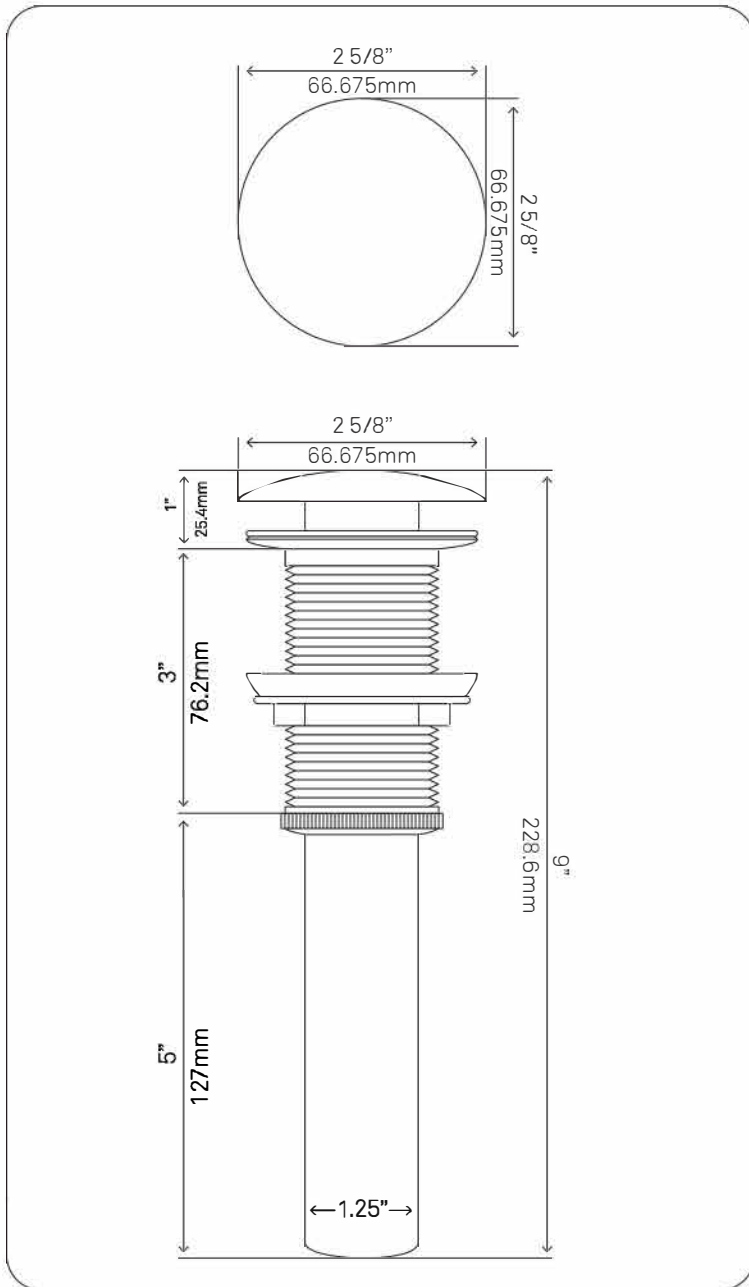
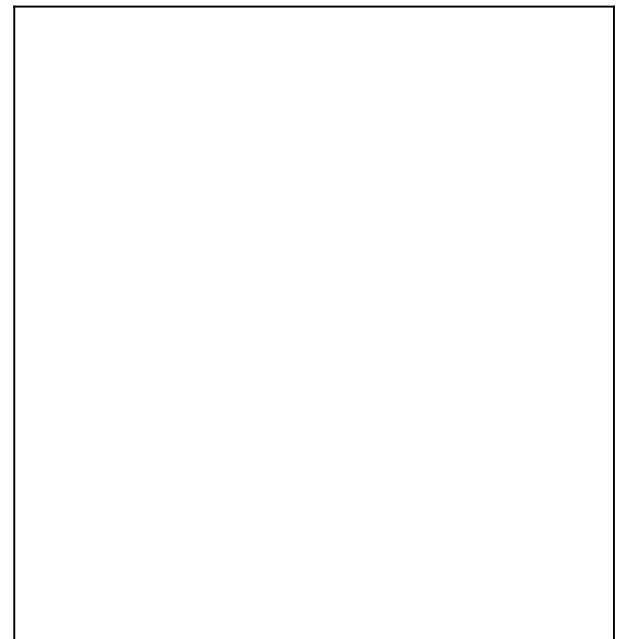
WARRANTY:

- Limited lifetime warranty
- See www.Novatto.com for details

COORDINATING ACCESSORIES:

- Glacier Ice Restoration and Sealer kit
- Brush Nickle Mounting Ring

NOTES



Novatto reserves the right (1) to make changes in specifications and materials, and (2) to change or discontinue models, both without notice or obligation. Dimensions are for reference only, see www.Novatto.com for finish options and product availability.

Novatto Inc
TOLL FREE 844.404.4242
www.Novatto.com