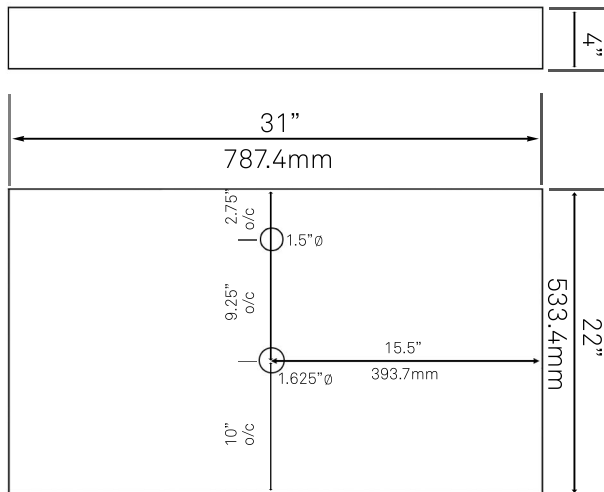




30-in Bath Vanity with Café Quartz Counter, Backsplash & Handles - NOBV-30SG-6001BN

Requested By: _____

Specific Features: _____



STANDARD SPECIFICATIONS:

- 30-inch bathroom vanity in storm grey
- Café quartz countertop & backsplash
- Includes: handles, countertop, backsplash and vanity
- Vanity constructed of solid wood and veneer
- Thick ¾-inch side panels
- Freestanding installation
- Back wall cut-out: 8" x 11"
- Backsplash: 31" x 4" x .75"
- Vanity comes fully assembled; countertop, backsplash & handles need to be assembled
- Tip-resistant strap included

WARRANTY:

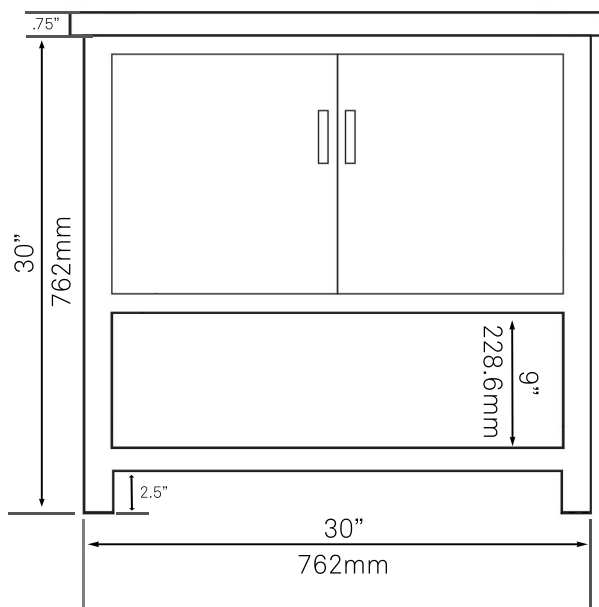
Limited lifetime warranty

- See www.Novatto.com for details

COORDINATING ACCESSORIES:

- NVMR-3036SG matching mirror
- See other options for different natural stone countertops & backsplash

NOTES



Novatto reserves the right (1) to make changes in materials and specifications, and (2) to change or discontinue models, both without notice or obligation. Dimensions are for reference only, see www.Novatto.com for finish options and product availability.

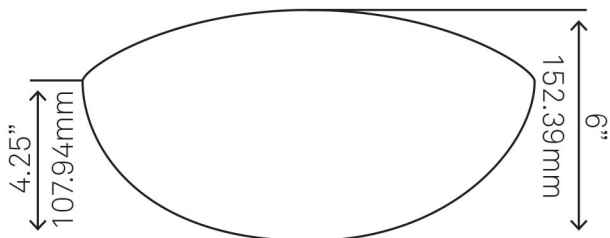
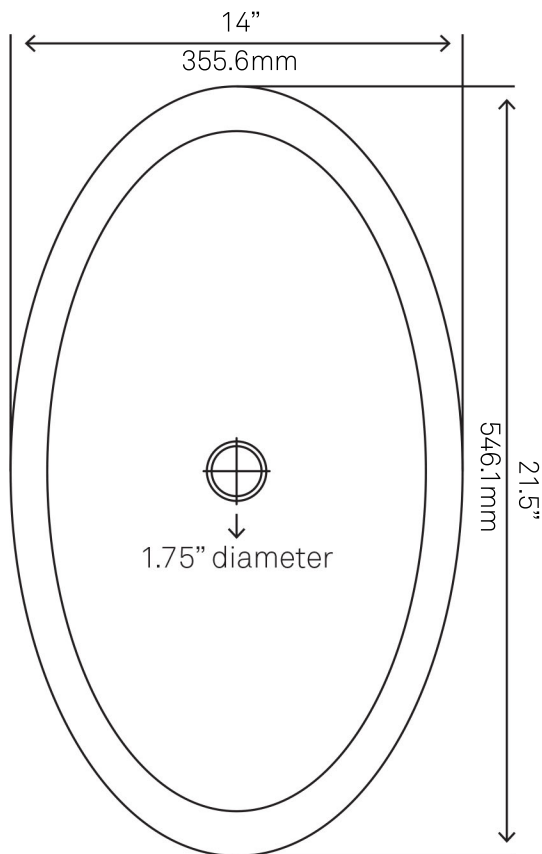
Novatto Inc
TOLL FREE 844.404.4242
www.Novatto.com



TIS-324G BIGIO Clear Grey Vessel Sink

Requested By: _____

Specific Features: _____



STANDARD SPECIFICATIONS:

- Oval slipper clear grey glass vessel
- Made with high tempered glass
- Scratch resistant and non-porous
- Designed for above counter installation
- Standard U.S. plumbing connections
- 1.75-inch drain opening
- No overflow

WARRANTY:

Limited lifetime warranty

- See www.Novatto.com for details

COORDINATING ACCESSORIES:

- PUD-BN/CH/ORB/MB pop-up drain
- MR-001BN/CH/ORB/MB
- Glacier Ice Restoration and Sealer kit

NOTES

Novatto reserves the right (1) to make changes in specifications and materials, and (2) to change or discontinue models, both without notice or obligation. Dimensions are for reference only, see www.Novatto.com for finish options and product availability.

Novatto Inc
TOLL FREE 844.404.4242
www.Novatto.com



PUD-BN-MR Vessel Sink Pop-Up Drain and Mounting Ring, Brushed Nickel

Requested By: _____

Specific Features: _____

STANDARD SPECIFICATIONS:

- Clicker pop-up vessel sink drain and mounting ring
- Brushed nickel finish
- Solid brass construction
- Includes rubber seals and fastener for installation
- 9-inches total pop-up length
- Fits any standard 1.75-inch drain opening
- Tailpipe dia. 1.25-inches
- Drain flange 2.375-inches
- Mounting ring inside hole diam 1.625-inches
- cUPC

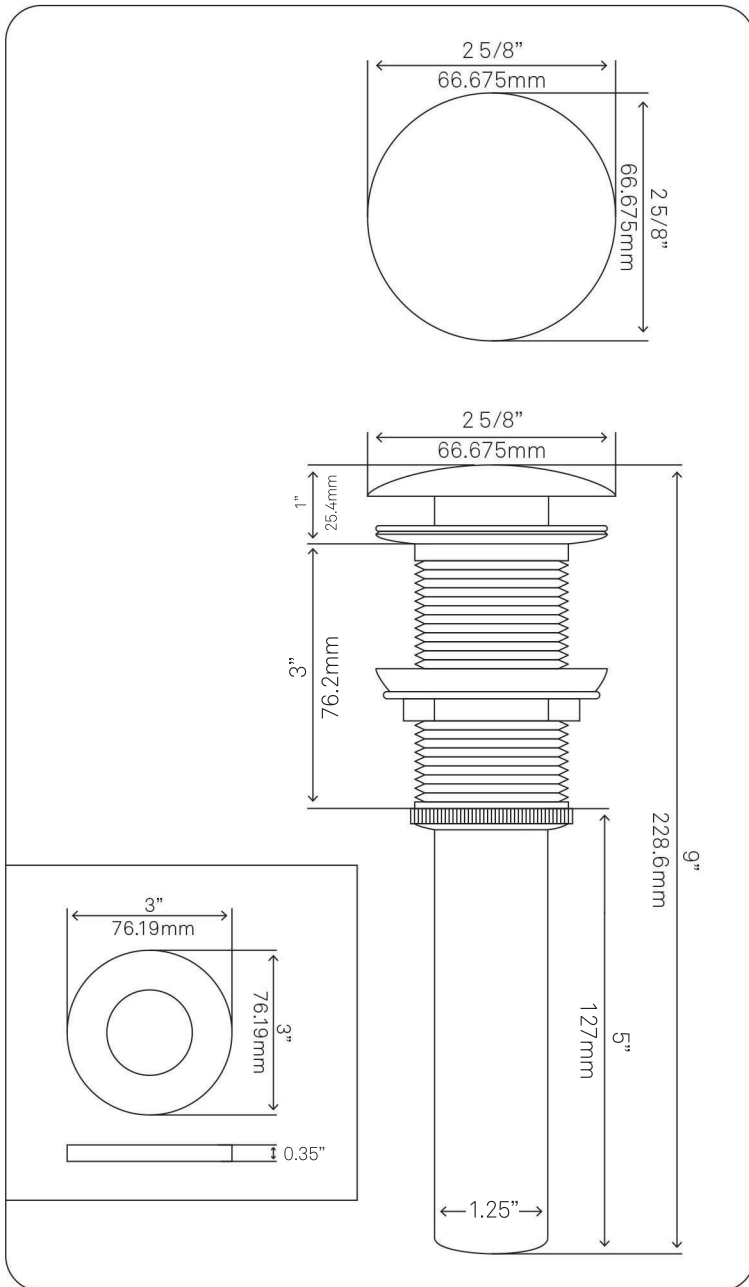
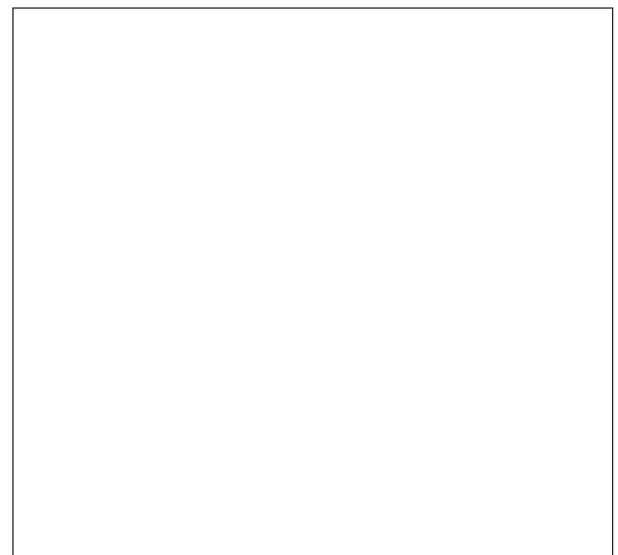
WARRANTY:

- Limited lifetime warranty
- See www.Novatto.com for details

COORDINATING ACCESSORIES:

- Glacier Ice Restoration and Sealer kit

NOTES



Novatto reserves the right (1) to make changes in specifications and materials, and (2) to change or discontinue models, both without notice or obligation. Dimensions are for reference only, see www.Novatto.com for finish options and product availability.

Novatto Inc
TOLL FREE 844.404.4242
www.Novatto.com