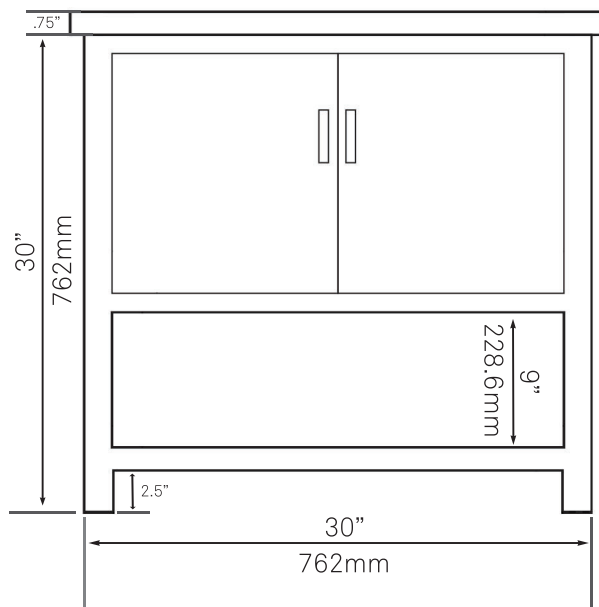
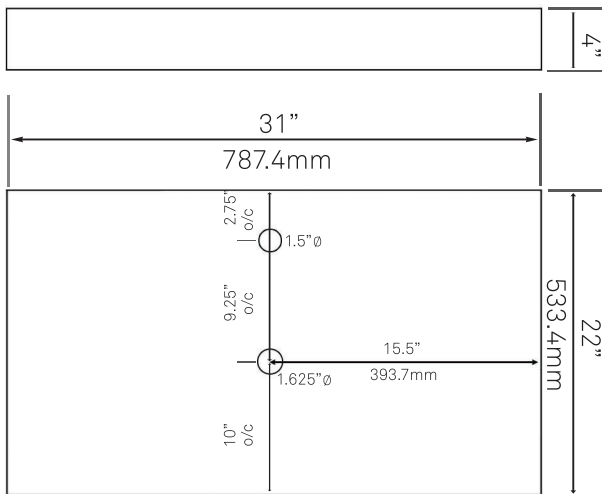




30-in Bath Vanity with Carrara Marble Counter, Backsplash & Handles - NOBV-30CM-CARBN

Requested By: _____

Specific Features: _____



STANDARD SPECIFICATIONS:

- 30-inch bathroom vanity in café mocha
- Carrara marble counter
- Includes: handles, countertop, backsplash and vanity
- Vanity constructed of solid wood and veneer
- Thick ¾-inch side panels
- Freestanding installation
- Back wall cut-out: 8" x 11"
- Backsplash: 31" x 4" x .75"
- Vanity comes fully assembled; countertop, backsplash & handles need to be assembled
- Tip-resistant strap included

WARRANTY:

- Limited lifetime warranty
- See www.Novatto.com for details

COORDINATING ACCESSORIES:

- NVMR-3036CM matching mirror
- See other options for different natural stone countertops & backsplash

NOTES

Novatto reserves the right (1) to make changes in materials and specifications, and (2) to change or discontinue models, both without notice or obligation. Dimensions are for reference only, see www.Novatto.com for finish options and product availability.

Novatto Inc
TOLL FREE 844.404.4242
www.Novatto.com

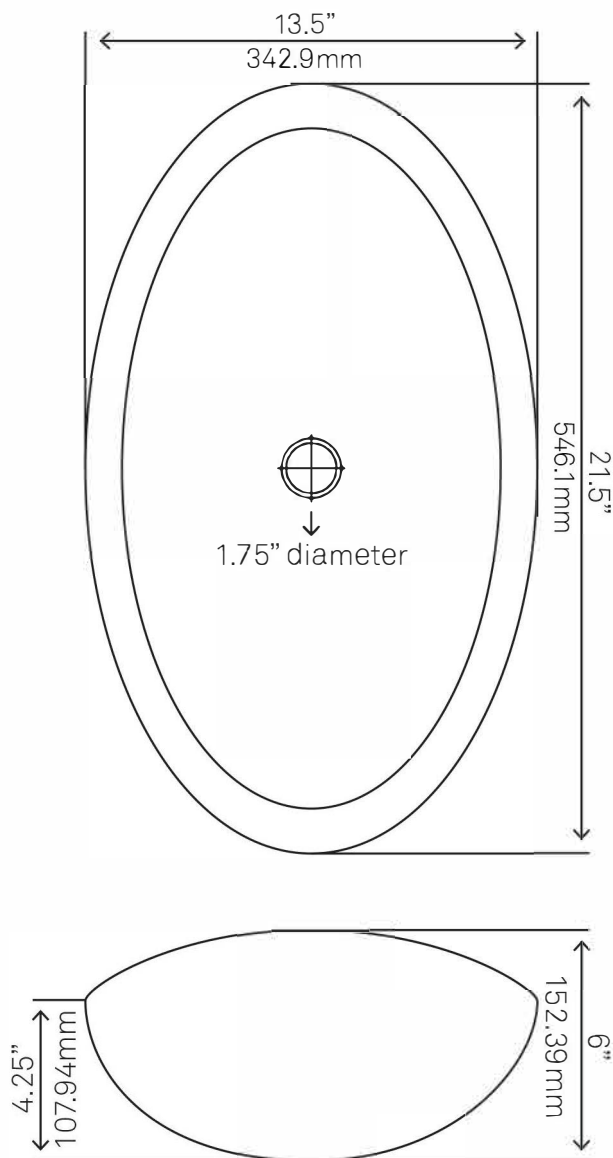


NOVATTO

**NOHP-G008-8031 RENA
Glass Vessel Bathroom Sink**

Requested By:

Specific Features:



STANDARD SPECIFICATIONS:

- Oval slipper hand painted vessel sink
- Copper and black tones
- High tempered glass
- Stain and scratch resistant inside
- Textured painted outside
- Above counter installation
- Standard U.S. plumbing connection
- 1.75-inch drain opening
- Novatto faucet and drain sold separately

WARRANTY:

Limited lifetime warranty

- See www.NovattoInc.com for details

COORDINATING ACCESSORIES:

- PUD-BN/CH/ORB pop-up drain
- MR-001BN/CH/ORB
- Glacier Ice Restoration and Sealer kit

NOTES



Novatto reserves the right (1) to make changes in specifications and materials, and (2) to change or discontinue models, both without notice or obligation. Dimensions are for reference only, see www.NovattoInc.com for finish options and product availability.

Novatto Inc
TOLL FREE 844.404.4242
www.NovattoInc.com



PUD-BN-MR Vessel Sink Pop-Up Drain and Mounting Ring, Brushed Nickel

Requested By: _____

Specific Features: _____

STANDARD SPECIFICATIONS:

- Clicker pop-up vessel sink drain and mounting ring
- Brushed nickel finish
- Solid brass construction
- Includes rubber seals and fastener for installation
- 9-inches total pop-up length
- Fits any standard 1.75-inch drain opening
- Tailpipe dia. 1.25-inches
- Drain flange 2.375-inches
- Mounting ring inside hole diam 1.625-inches
- cUPC

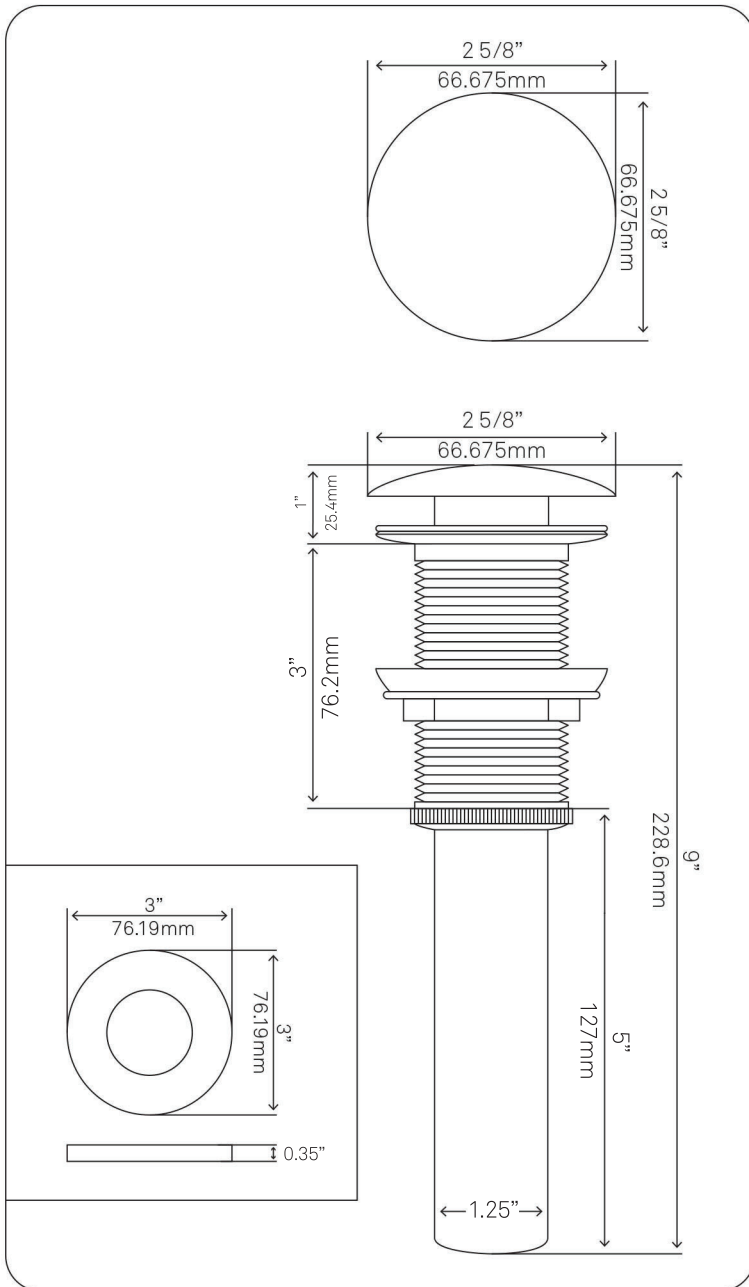
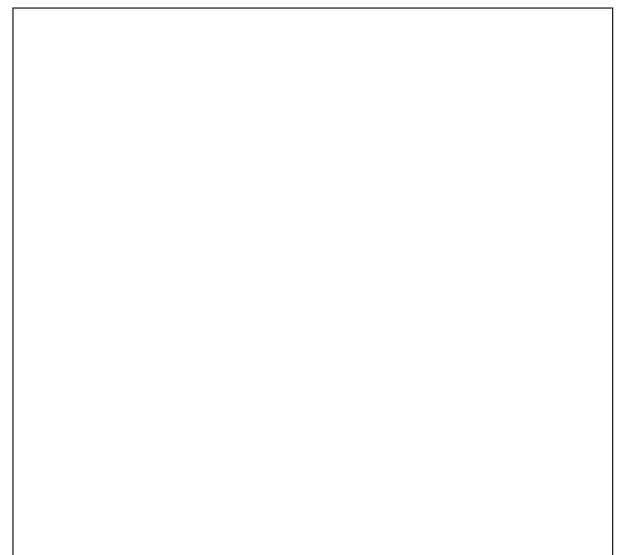
WARRANTY:

- Limited lifetime warranty
- See www.Novatto.com for details

COORDINATING ACCESSORIES:

- Glacier Ice Restoration and Sealer kit

NOTES



Novatto reserves the right (1) to make changes in specifications and materials, and (2) to change or discontinue models, both without notice or obligation. Dimensions are for reference only, see www.Novatto.com for finish options and product availability.

Novatto Inc
TOLL FREE 844.404.4242
www.Novatto.com