



## NKCD-Copper Strainer Basket Drain

Requested By: \_\_\_\_\_

Specific Features: \_\_\_\_\_

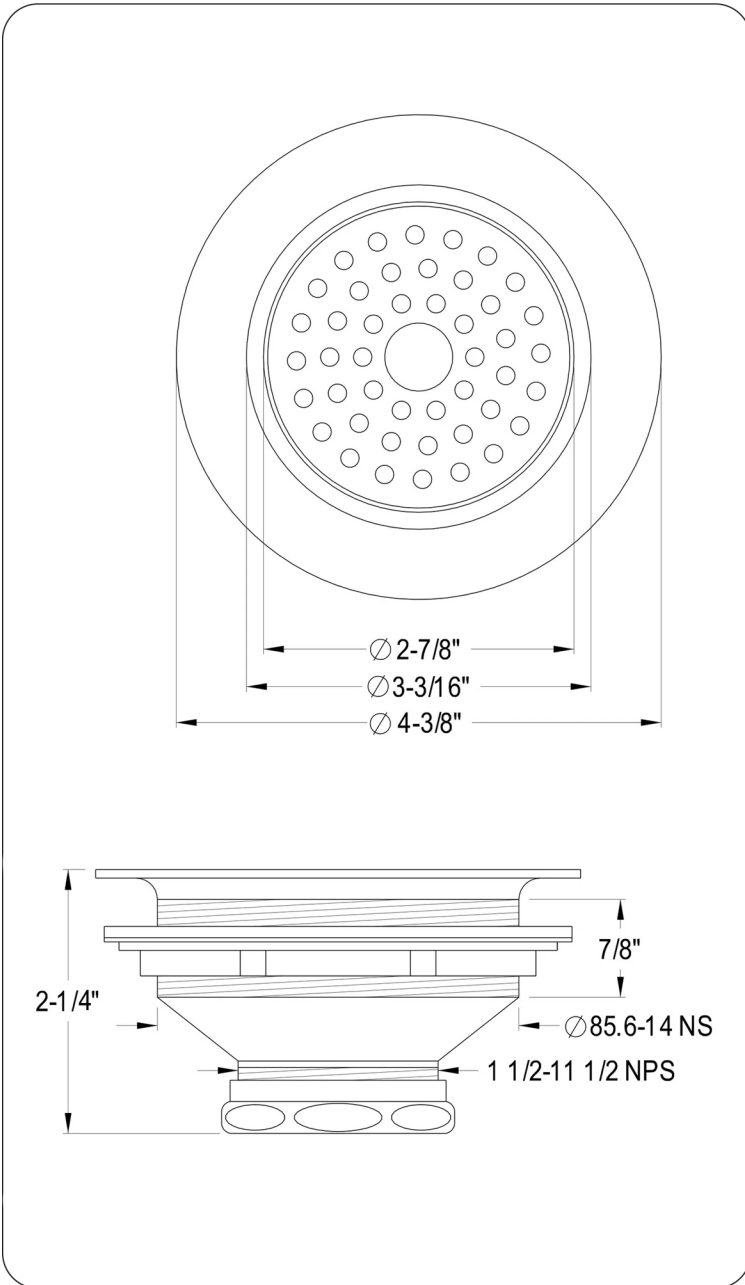
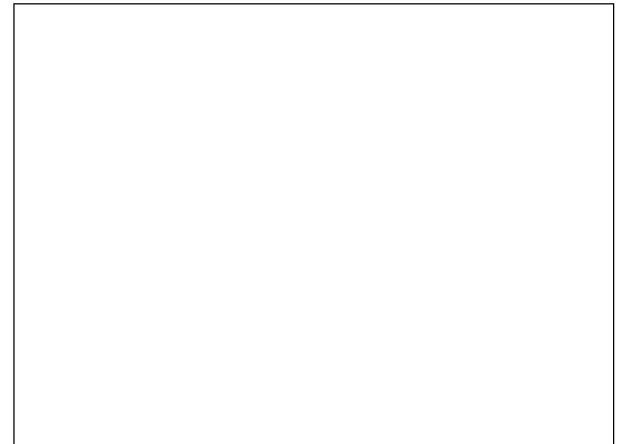
### STANDARD SPECIFICATIONS:

- Made of solid copper with a temporary oil coating hand applied
- Hand dipped in a patina solution and rubbed to the desired coloration
- Fits most standard 3.5" kitchen, bar and prep sinks's drain openings
- Hand-made solid copper
- NOT for garbage disposal
- You may use plumber's putty to install it into the sink
- Use Teflon tape on threaded connections
- Copper is softer than stainless steel so handle it with care
- DO NOT bend any portion of the product
- When installing DO NOT over-tighten

### WARRANTY:

- Limited lifetime warranty
- See [www.Novatto.com](http://www.Novatto.com) for details

### NOTES



Novatto reserves the right (1) to make changes in specifications and materials, and (2) to change or discontinue models, both without notice or obligation. Dimensions are for reference only, see [www.Novatto.com](http://www.Novatto.com) for finish options and product availability.

Novatto Inc  
 TOLL FREE 844.404.4242  
[www.Novatto.com](http://www.Novatto.com)