



NOVATTO

NKF-H07BNB Dual Action Commercial Kitchen Faucet

Requested By: _____

Specific Features: _____

STANDARD SPECIFICATIONS:

- Kitchen faucet with brushed nickel finish
- Flexible 360-degree high arc pull-down head
- Adjustable spray and aerated flow
- Solid brass construction
- High pressure ceramic cartridge
- 2-inch wide spout extends up to 30-inches
- 1.375 to 1.5-inch diameter hole required
- cUPC and AB1953 low lead compliant
- NSF/ANSI 61 certified

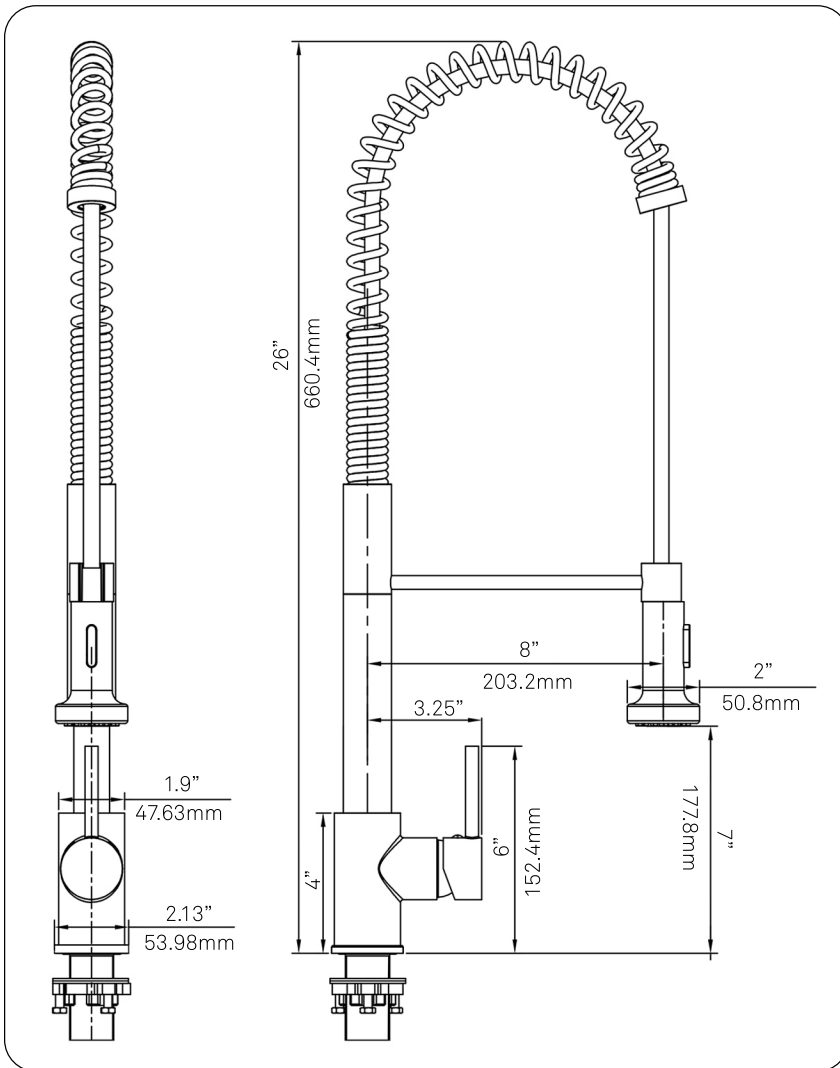
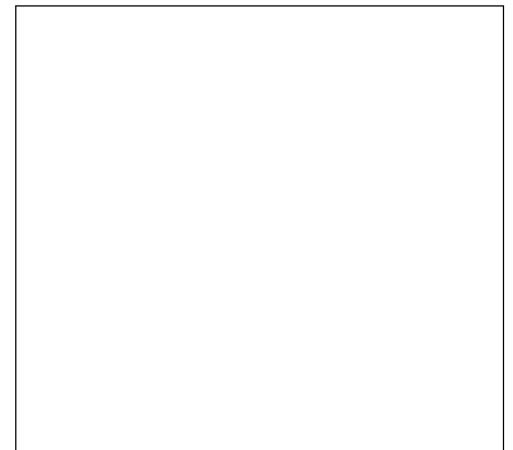
WARRANTY:

- Limited lifetime warranty
- See www.Novatto.com for details

COORDINATING ACCESSORIES:

- Glacier Ice Restoration and Sealer kit

NOTES



Novatto reserves the right (1) to make changes in specifications and materials, and (2) to change or discontinue models, both without notice or obligation. Dimensions are for reference only, see www.Novatto.com for finish options and product availability.

Novatto Inc
TOLL FREE 844.404.4242
www.Novatto.com