



NKF-H06SS MAX Commercial Kitchen Faucet in Stainless Steel

Requested By: _____

Specific Features: _____

STANDARD SPECIFICATIONS:

- Kitchen faucet with stainless steel finish
- Flexible 360 degree pivotal spout
- Solid brass construction
- Drip free high pressure ceramic cartridge
- Lifetime Limited Warranty
- 1.5-inch diameter hole required
- AB1953 low lead compliant
- cUPC and NSF/ANSI 61 certified
- ADA Compliant

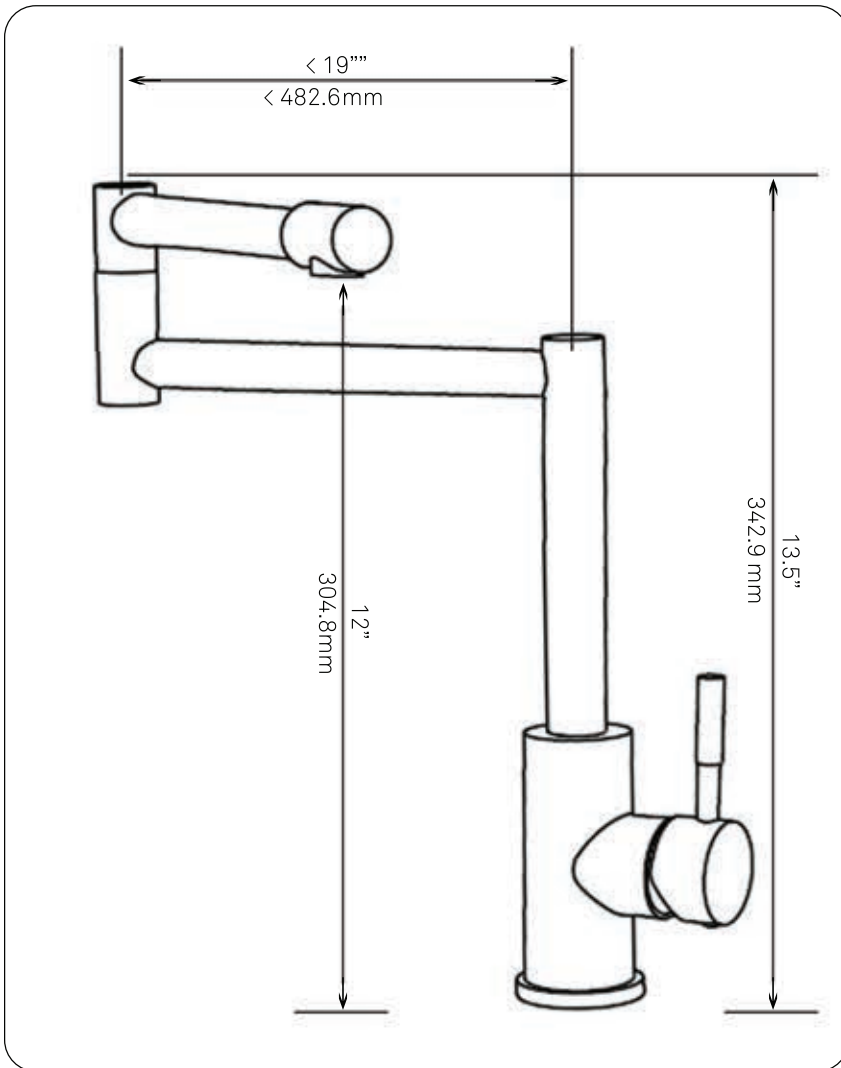
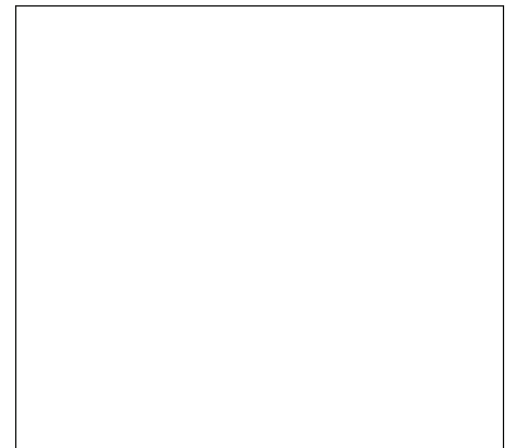
WARRANTY:

- Limited lifetime warranty
- See www.NovattoInc.com for details

COORDINATING ACCESSORIES:

- Glacier Ice Restoration and Sealer kit

NOTES



Novatto reserves the right (1) to make changes in specifications and materials, and (2) to change or discontinue models, both without notice or obligation. Dimensions are for reference only, see www.NovattoInc.com for finish options and product availability.

Novatto Inc
TOLL FREE 844.404.4242
www.NovattoInc.com