

INSIDE

WINDOW RECESS

Step 1

Measure the width of the recess in 3 different places (**A, B, C**).

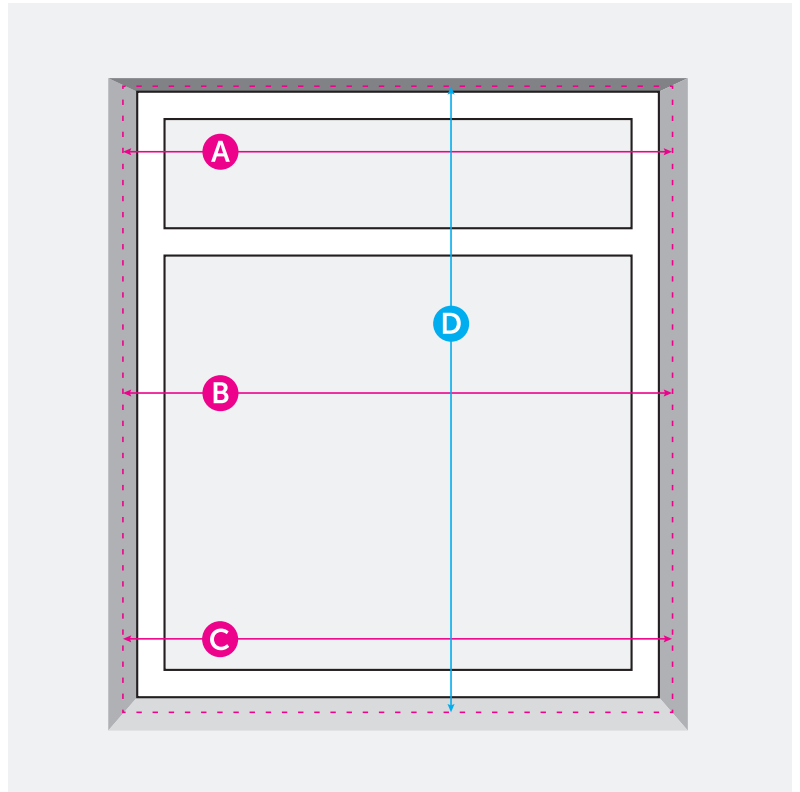
Step 2

Enter the smallest of the 3 width measurements into the online calculator.

Step 3

All our roller blinds come with a standard 1500mm drop. Measure your drop (**D**) to check size covers window.

(If your drop exceeds 1500mm please contact us to discuss bespoke requirements).



We will make the necessary deductions to allow for the mechanism.

(Please note the fabric of your finished blind will be 39mm narrower than the recess width to allow for mechanism)

OUTSIDE

WINDOW RECESS

Step 1

Decide how much you wish the blind fabric to 'overlap' the window on bothsides (**E**).

(We would recomend at least 75mm on each side to reduce as much external light as possible showing).

Including the overlap measure the width of the window space in 3 different places (**A, B, C**).

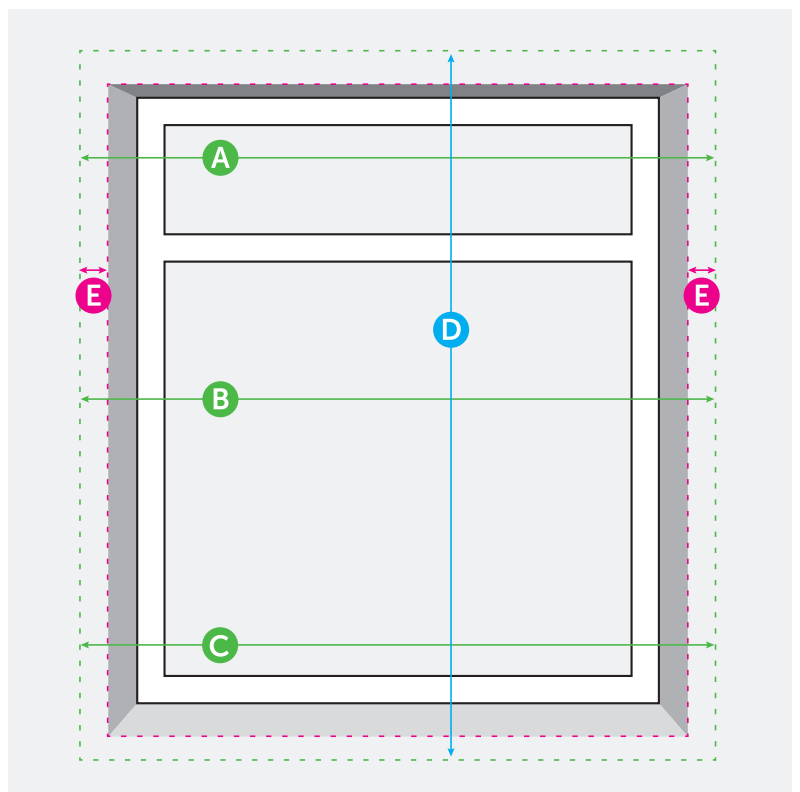
Step 2

Enter the largest of the 3 width measurements into the online calculator.

Step 3

All our roller blinds come with a standard 1500mm drop. Measure your drop (**D**) to check size covers window.

(If your drop exceeds 1500mm please contact us to discuss bespoke requirements).



We will NOT make any deductions from the measurements provided.

(You need to ensure you have space of +39mm more than the width of your fabric to allow for mechanism)