

TUNNEL



Power and elegance



HERCULES

BORN TO LAST



The Tunnel HERCULES washing system is a reference point in the car wash world for its distinguishing characteristics.

Its solid structure, made to last over time, the flexibility of the software and the characteristic modularity, make it a benchmark in the landscape of tunnel washing plants and an ideal tool to ensure to your business reliability and concreteness.

Low energy consumption and very low running and maintenance costs, among the lowest in the market, make it a balanced and secure income tool. Flexibility, reliability, robustness and modularity are the basic concepts on which wash built the success of HERCULES.



HERCULES IS CHARACTERIZED BY:

- Attention to energy saving and environmental protection, with the double-circuit device for water recycling;
- Economic efficiency;
- Vehicles washing and drying quality, positioned and towed in complete safety;
- Modularity, enabled by the high number of configurations, for every need of space, use and investment, and complemented by a wide range of accessories;
- Robustness of the structures made of steel and hot galvanized;
- Self-diagnosis and self-learning software intelligence, for safer and more accurate management of all stages of the washing and drying cycle and reduction of dead times;
- Reliability and performance, witnessed by the large number of machines installed in the world.



AVAILABLE VERSIONS

STANDARD

up to **60** cars/hour

HIGH PERFORMANCE

up to **90** cars/hour

HERCULES
Power and elegance

STRUCTURE

HERCULES structures are self-supporting, fixed to the floor with expansion dowels.

The steelwork is made in hot galvanized steel, with screw-in bolts and self-locking stainless steel nuts.

The coating is of polyurethane powder type, deposited electrostatically and polymerized with a high temperature oven.

ELECTRICAL EQUIPMENT

The electrical system is made according to the current European regulations, the electrical components of the leading international brands are of high quality. The entire system is managed by programmable logic (PLC). The vehicle counters are password protected, like each engine is individually protected against overloads and short circuits.

The installation can operate with power supply:

- 400 Volt + 10% and 50/60 Hz frequency.

HYDROPNEUMATIC EQUIPMENT

The pneumatic circuit is equipped with pressure switch.

The water supply is split: it is designed to feed the plant both with fresh and recycled water.

The system is equipped with manual flow regulators on each spray arc and with automatic condensate drainage from the inlet air filter.

CHEMICAL DOSAGE SYSTEM

The system is equipped as standard with adjustable pneumatic dosing pumps for the dispensing of Shampoo, Foamed Shampoo and Wax.

Optionally, it is possible to integrate the installation with pneumatic dosing pumps with adjustable flow rate, for Emollient and Super Wax dispensing.

WINTER DISCHARGE

The system is equipped with solenoid valves for winter drainage of the water circuit, against possible winter frosts. The activation takes place via a guided choice from the operator panel and temperature probe.

LEARNING

It is possible to set or modify, directly on the installation, the running times of the various stages of the washing and drying cycle.

The operation can be done through the Operator Panel in the activation panel of the system.

The device allows to communicate directly with the PLC from the washing plant.

The operator can easily read or modify the data on the PLC itself.

SELF-DIAGNOSIS

The system software monitors the operation of all parts of the washing plant. In the event of a failure, the control device displays an error code indicating the cause of the failure.

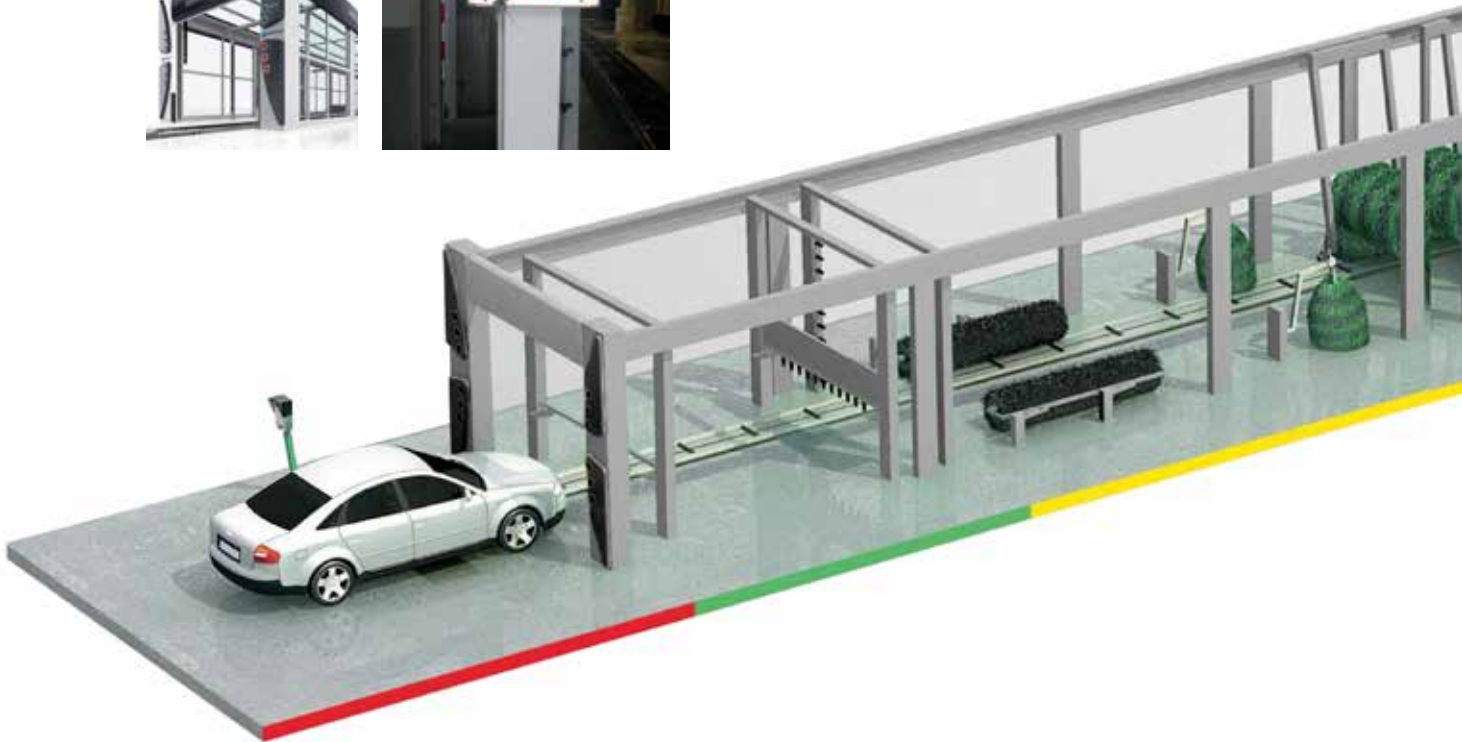
This function often prevents the intervention of the Technical Assistance Service or, in any case, makes the intervention more efficient as the call can give the operator more accurate information on the nature of the failure.

The HERCULES line applies the "fault-tolerant" philosophy: the total shutdown of the system happens only in case of failures that concern the main parts necessary for the washing cycle and for the safety of people or things. In other cases, the failure is signaled by the diagnostic device, and the cycle continues with the self-exclusion of the failed part.

ENTRY



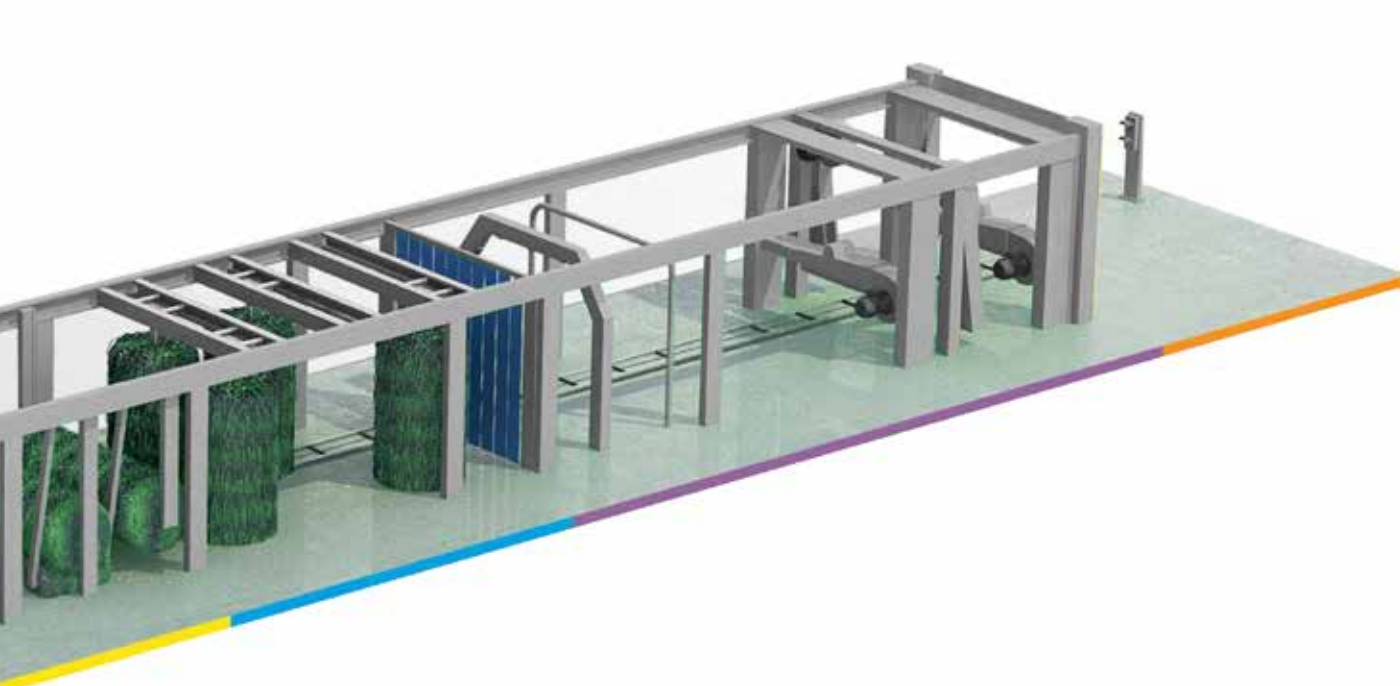
- Self-aligning platform with roller or sliding element;
- Entrance front with traffic light (optional);
- Activation device with touch-screen interface.



PRE-TREATMENT



- Fixed Emollient Arc or controur following (optional);
- Rinsing Arc with High Pressure (optional);
- Chassis wash (optional);
- Wheel wash (optional);
- Half brushes (optional);
- Sides wash (optional);
- Coloured foam (optional).



BRUSHES GROUP



- Fixed Horizontal Brush;
- Additional Fixed Horizontal Brush (Optional);
- 4 Vertical brushes fixed groups (Hercules Standard Productivity version);
- 4 Vertical Swing Groups (Hercules High Performance version) available in the following configurations
 - A. 2 Couple of translating brushes;
 - B. 1 pair of translating brushes + 2 single translating brushes;
 - C. 4 single translating brushes.

DRYING



- Wax dispensing arc;
- Superwax dispensing arc (Optional);
- Felt separation curtain (optional);
- Horizontal drying with contour following blade;
- Side drying with pair of fixed blades;
- Extra horizontal drying with contour following blade

EXIT

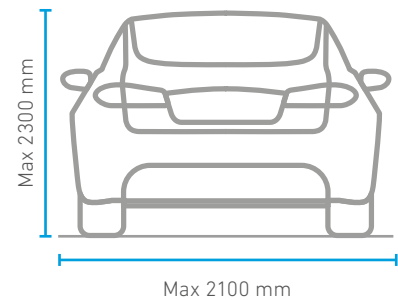


- Exit front (optional);
- Traffic light

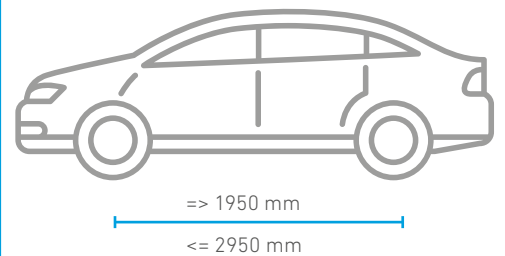
WORKING SKILLS

The dimensions of the vehicle to be washed must not exceed those shown in the drawing:

- Maximum vehicle width 2100 mm;
- Maximum vehicle height 2300 mm.



The wheelbase of the vehicle to be washed must be between a minimum of 1950 mm and a maximum of 2950 mm.



The width of the vehicle tires must not exceed 350 mm.

