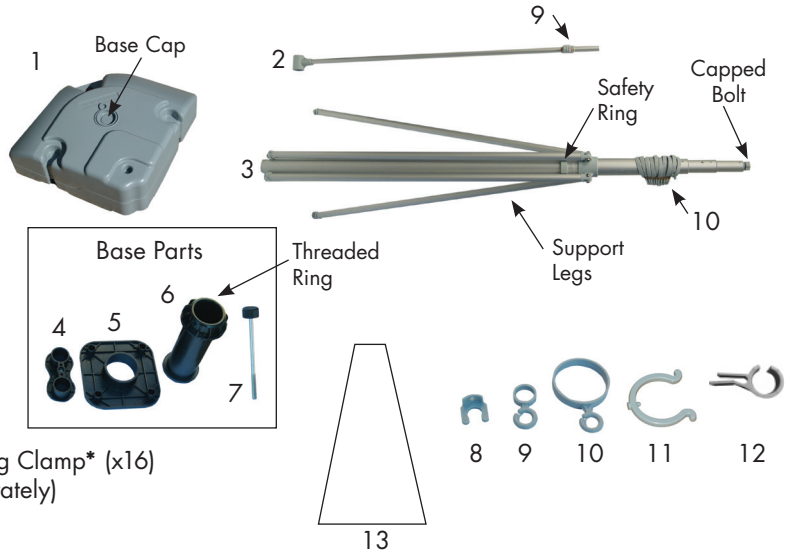


Banner Sail Instructions

Product Parts

- 1 - Base (x4)
- 2 - Capped Horizontal Pole
- 3 - Three Position Pole
- 4 - Base Connector
- 4a without Threaded Insert (x4)
- 4b with Threaded Insert (x4)
- 5 - Square Plate (x2)
- 6 - Center Pole Coupler
- 7 - Capped Bolt (x4)
- 8 - U Lock (x4)
- 9 - Small Clip Ring (x5)
- 10 - Large Clip Ring (x10)
- 11 - Fix Ring
- 12 - Corrugated Plastic Graphic Leg Clamp* (x16)
- 13 - Coro Graphic* (x4)(sold separately)



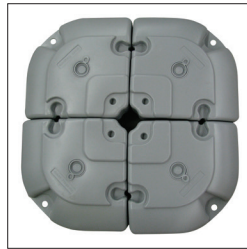
*For optional corrugated plastic graphic kit.

Base Unit Set-Up

Step 1

Begin by removing the parts from their bags and placing them on a clean flat surface.

Arrange the Base (1) Sections so they fit together like the image shown here.



Step 2

Insert a Base Connector without threaded insert (4a) into the top recess of first and second Base (1) sections.

Once connected, flip the Base (1) section on its side and insert other Base Connector with threaded insert (4b) into the bottom recess.



Step 3

Connect the two Base Connectors (4) by inserting the Capped Bolt (7) through the Top Base Connector (4a) and threading into the Bottom Base Connector (4b). Turn clockwise to secure.



Step 4

Repeat these steps to complete the assembly of the Base (1) unit.



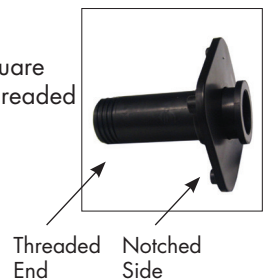
Step 5

Once the Base (1) has been assembled, remove the Threaded Ring from the Center Pole Coupler (6).



Step 6

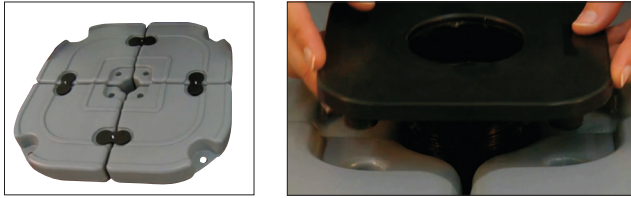
Insert the Center Pole Coupler (6) into a Square Plate (5) with the notched side facing the threaded end of the Center Pole Coupler (6).



Base Unit Set-Up Continued...

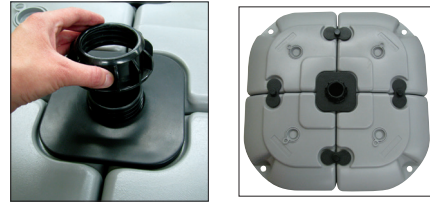
Step 7

Flip the base upside down and insert the Center Pole Coupler (6) through the center hole so that the threaded end extends through the top opening and the Square Plate (5) section sits flush in the Base's (1) recess.



Step 8

While holding the Center Pole Coupler (6) in place, flip the Base (1) so that the top side is up. Insert the the other Square Plate (5) into the recessed area on the Base (1) and secure in place by fully threading the Threaded Ring back on to the Center Pole Coupler (6).



Display Set-Up

Step 1

Once your Base (1) is assembled, position it into place.



Step 2

Before extending the Support Poles of the Three Position Pole (3), you may need to loosen the screw and lower the Safety Ring.



Step 3

Extend the Support Legs of the Three Position Pole (3) and fully insert the Three Position Pole (3) into the Center Pole Coupler (6) located in the center of the Base (1) unit.



Step 4

Connect the four Support Legs to the Base (1) unit by inserting the Support Leg Connectors into the holes located on the outer edge of the Base (1) unit.



Lock the Support Legs in place by sliding the U Locks (8) into the connectors slots.

Step 5

Once all Support Legs are connected to the Base (1), slide the Three Position Pole's (3) Safety Ring upwards and lock in to place.



Step 6

Remove the Capped Bolt from the top of the Three Position Pole (3).



Step 7

Place the Capped Horizontal Pole (2) over the Three Position Pole's (3) and reinsert the Capped Bolt.



Step 8

Attach the top grommets of your banner to the Small Clip Rings (9) located on the Capped Horizontal Pole (2).



Display Set-Up Continued...

Step 9

Attach the vertical grommets of your banner to the Large Clip Rings (10) located on the Three Position Pole (3).



**Due to the large size of the display, you will need to continually extend the Three Position Pole (3) when attaching the clips to the banner.*

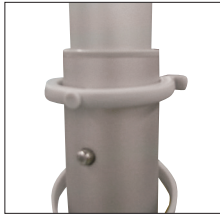
Step 10

Once the banner is attached, extend the Three Position Pole (3) to your desired setting by pushing in the pin and pulling the pole up until the pin pops out, locking the pole in place. (You can either use your finger or the Fix Ring (11) to release the pin.)



Step 11

Clip the Fix Ring (11) into the hole on the second section of the pole from base, just above the lowest Large Clip Ring (10) on your Three Position Pole (3). This will prevent your banner from blowing up the pole in the wind.



Step 12

Remove the Base Cap from each Base (1) section and fill with ballast material for added stability.



Storage

Place all product parts into Carry Cases and store in a cool, dry location.



Care

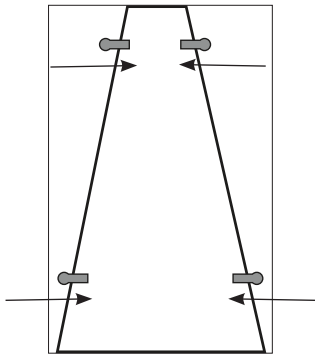
To clean hardware, spot clean with damp cloth.

To clean banner, spot clean by hand with damp cloth. Do not machine wash, iron or dry clean.

Optional Corrugated Plastic Graphic Kit

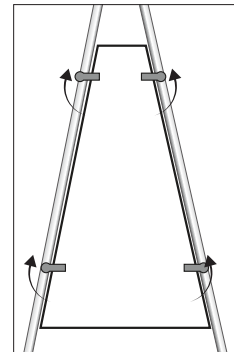
Step 1

Attach four Corrugated Plastic Graphic Leg Clamps (12) to each Corrugated Plastic Graphic (13).



Step 2

Center each Corrugated Plastic Graphic (13) into opening of support legs. Snap Corrugated Plastic Leg Clamps (12) onto each leg support and easily adjust as needed.



Giant Outdoor Banner Display base is shown with Corrugated Plastic Graphic Kit installed.

Care

To clean hardware, spot clean with damp cloth.