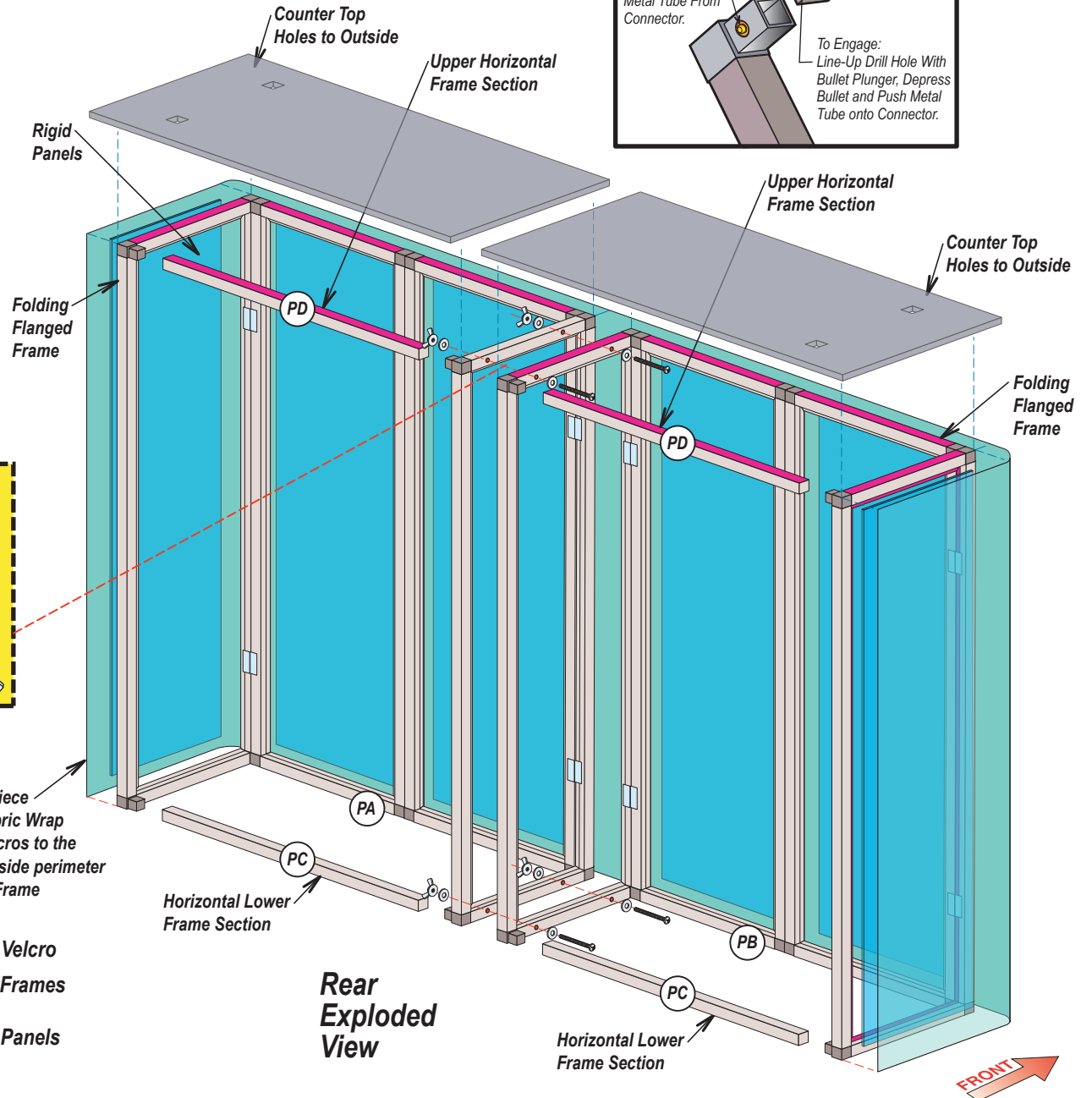
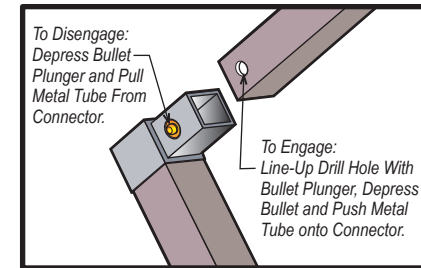


# Custom Vendor Promotional Stand

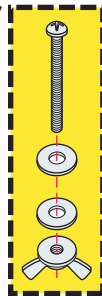
1. Frame members connect via Snap-fit Bullet Connectors. Simply line-up the Frame Holes/Bullet connectors and push-in to engage. Velcro Strips on Frame Members should face outward for Panel attachment.
2. Assemble the 2 Pedestal Frame Units as shown. Begin by unfolding the Frame. Connect the (2) Horizontal Frames to the back of the unfolded frame as shown.
3. Assemble the 2 Units together with the provided Fasteners in 4 places as shown.
4. Velcro the Rigid Panels to the outside Flange on the Frame as shown.
5. Velcro the Fabric Wrap to the Front and Side perimeter of the Frames as shown.
6. Velcro the 2 Counter Tops to the top of the Top of the 2 Frames and Centered. Note -the Holes in the Top face outward.

## Typical Snap-Fit Bullet Connectors

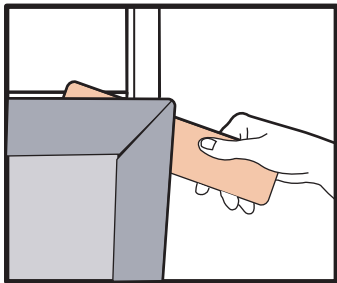


## Fastener Detail

Secure Frames together with Bolt, and 2 Washers, and Wing Nut Fasteners, 4 Locations



## Separating Velcro Detail

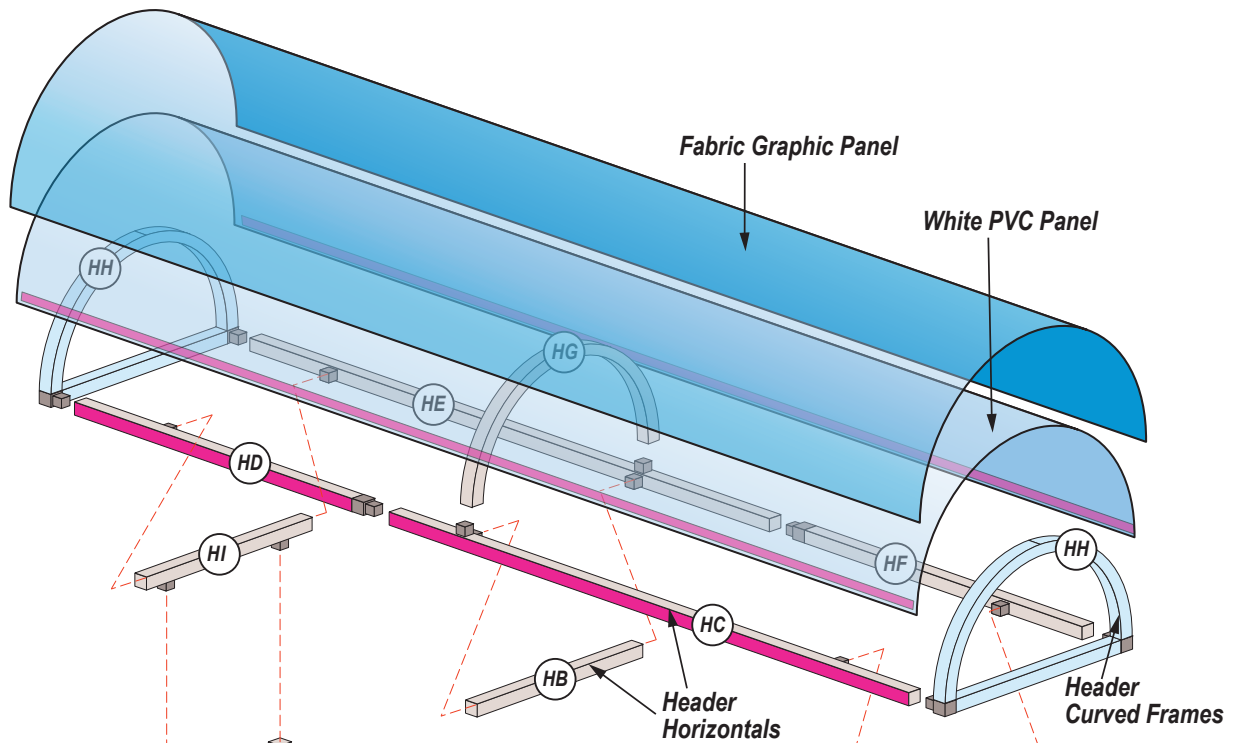


Please Note that when removing Panels, use a thin tool such as a putty knife to separate the velcro. Separating the Panel velcro by force can damage the panels.

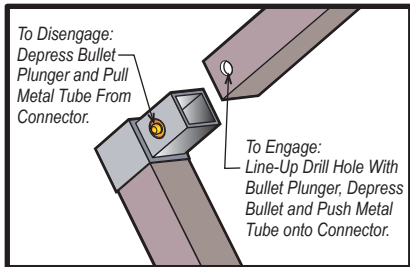
- = Color represents Velcro
- = Symbol represents Frames
- = Symbol represents Panels

# Custom Vendor Promotional Stand Canopy

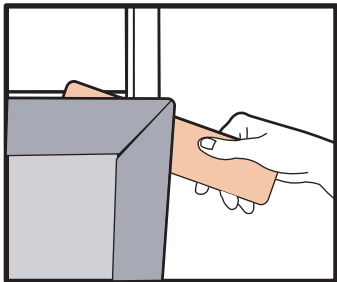
1. Frame members connect via Snap-fit Bullet Connectors. Simply line-up the Frame Holes/Bullet connectors and push-in to engage. Velcro Strips on Frame Members should face outward for Panel attachment.
2. Velcro the Counter Tops to the Base Frames (as shown on Previous Page).
3. Slide the Vertical Support Frames down into the Holes in the Counter Tops and Velcro the Triangle Support Blocks to the Bottom Sides of the Frames as shown.
4. Assemble the Header Horizontals. Then attach the Header Curved Frames. Finally, Attach the Header Horizontals to the Vertical Support Frames.
5. Velcro the White PVC Panel to the Header Horizontals and Curved Frames. Then Velcro the Fabric Graphic Panel to the PVC Panel.



## Typical Snap-Fit Bullet Connectors



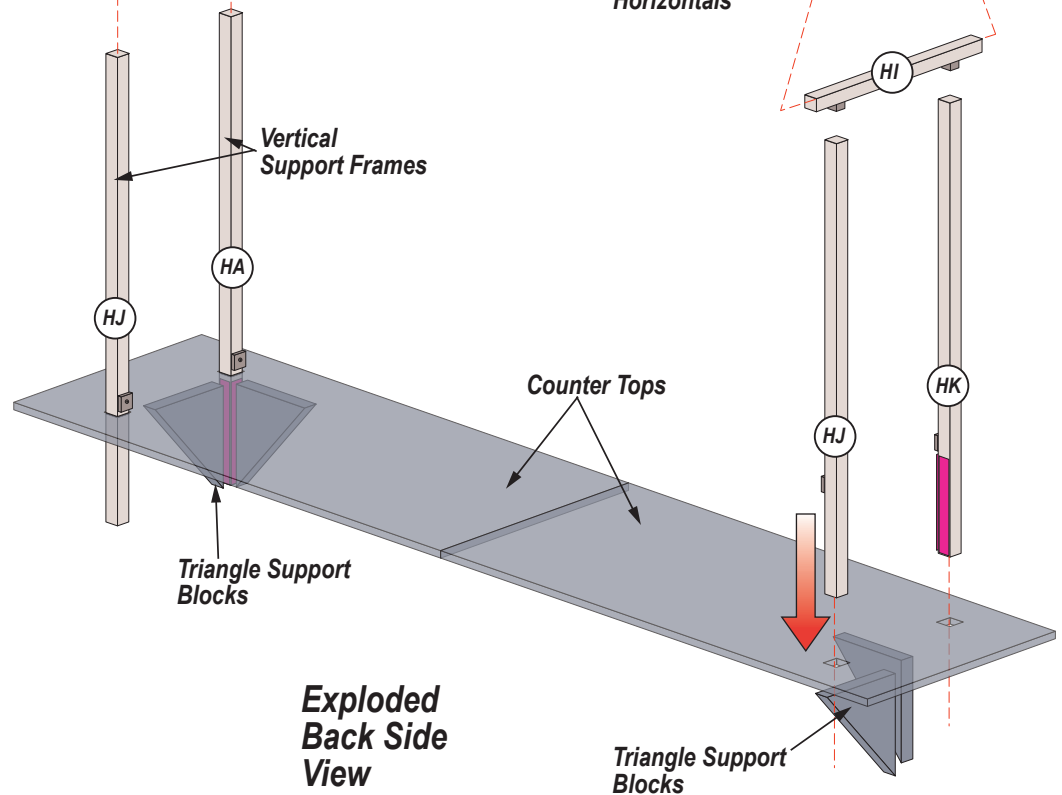
## Separating Velcro Detail



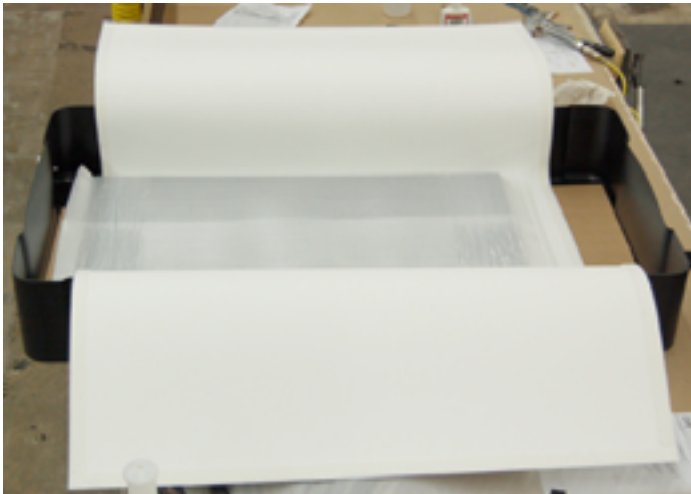
Please Note that when removing Panels, use a thin tool such as a putty knife to separate the velcro. Separating the Panel velcro by force can damage the panels.

■ = Color represents Velcro  
○ = Symbol represents Frames

## Exploded Back Side View



# Case Packing Instructions



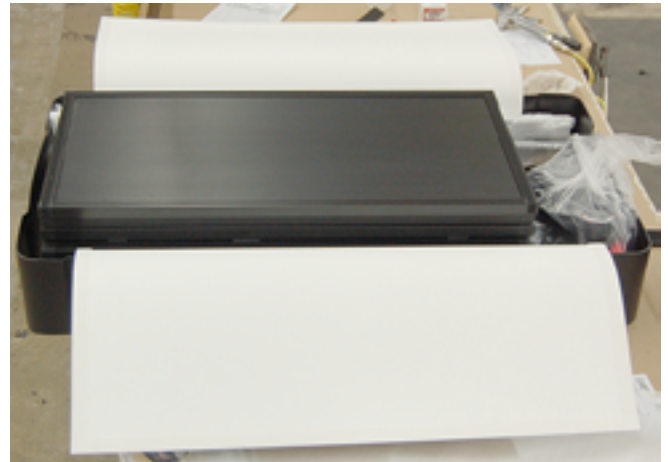
1. Place White PVC Panel into the Case. Then Place Wrapped Counter Tops onto the White PVC Panel as shown.



2. Place one Folded Bottom Frame Section onto the Counter Tops with the open side facing upward.



3. Place the Vertical Frames, Canopy Section Frames and Triangle Support Blocks into the case and onto the Folded Bottom Frame Section.



4. Place the other Folded Bottom Frame Section on top of the first Folded Bottom Frame Section. Then place the Graphic Wrap and Fasteners into the case.



5. Place the cardboard piece over the Folded Bottom Frames.



6. Wrap the PVC Panel around the first piece of Cardboard. Then place another piece of Cardboard on top of the PVC.



7. Attach the Case Cover to the Bottom Case Section.