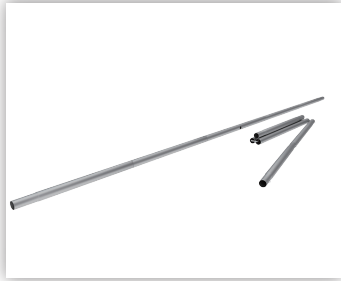
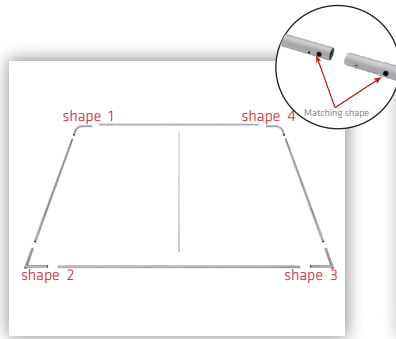


TNFB-8

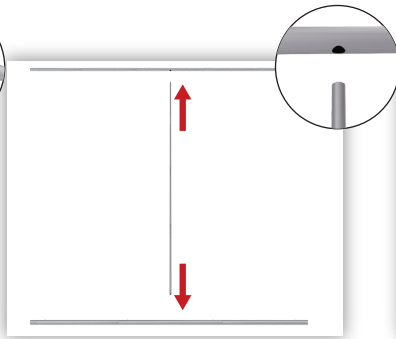
Setup Instructions



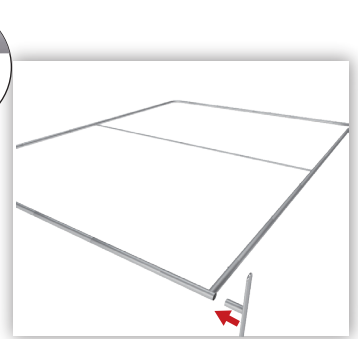
1. Connect poles by pressing and pushing.



2. Connect corner sections to straight sections with matching shape codes.



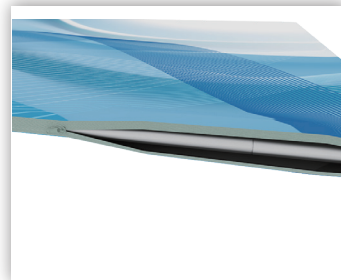
3. Insert center support pole



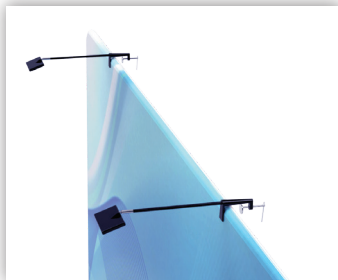
4. Connect feet by pressing and pushing.



5. Unzip print and lay image face up. Slide print onto frame like a pillow case.



6. Zip the bottom edge of the graphic fully across.



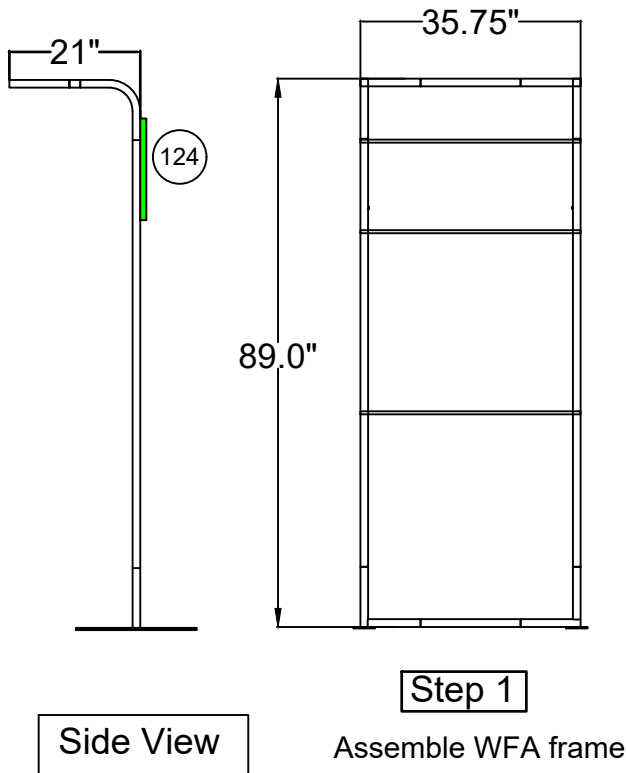
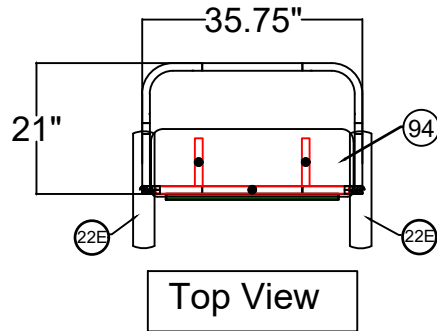
7. Position lights as desired and clamp in place.
(Optional)



8. Enjoy.

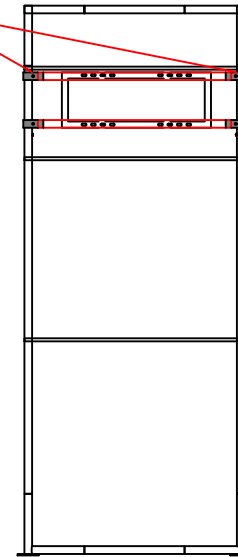


Monitor stand with shelves



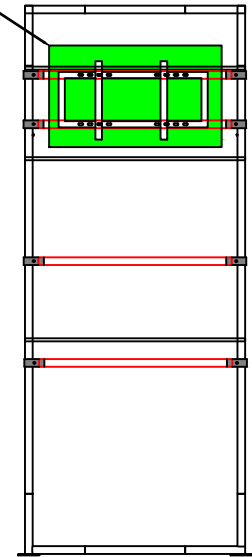
take Sharpie and mark around pole once correct height is known and level

WLM#124 includes several sizes of bolts...only use what you need, dispose of rest



Attach monitor bracket bars onto WFA frame.

Monitor supplied by others supports up to 31" monitor



- * Attach mounting rails onto back of monitor
- * Hang monitor back onto support bars
- * Attach shelves below monitor, making sure to face inward towards back display panel

