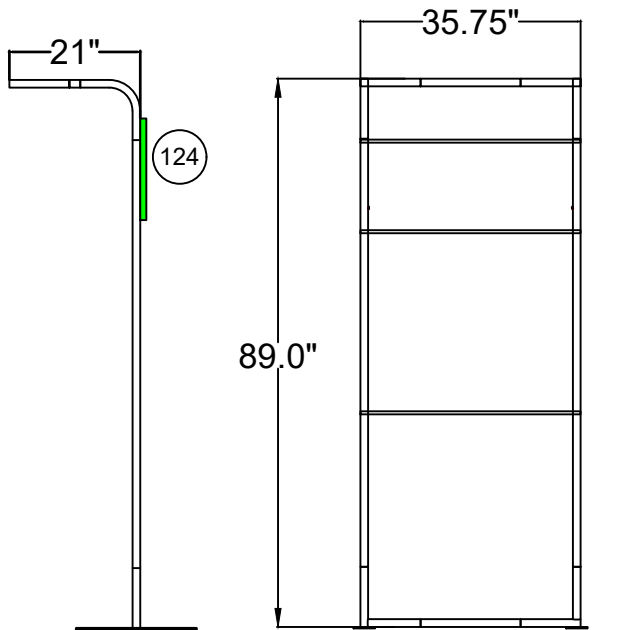
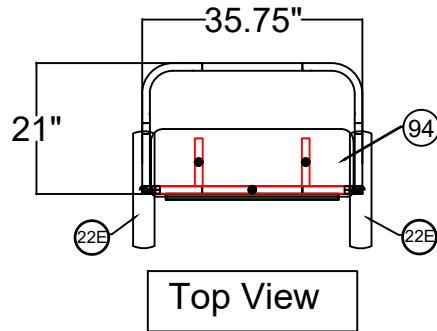




# Monitor stand with shelves

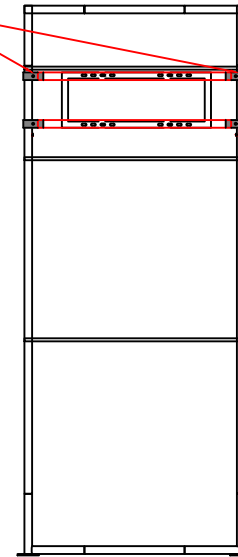


Step 1

Assemble WFA frame

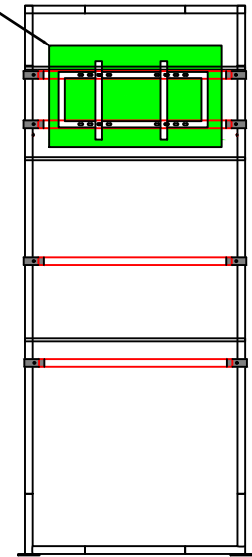
take Sharpie and mark around pole once correct height is known and level

WLM#124 includes several sizes of bolts...only use what you need, dispose of rest

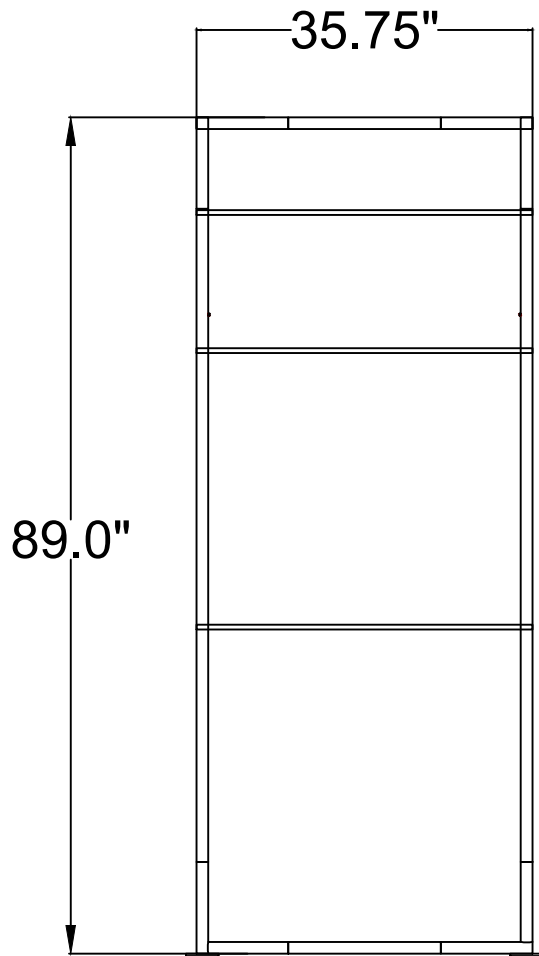
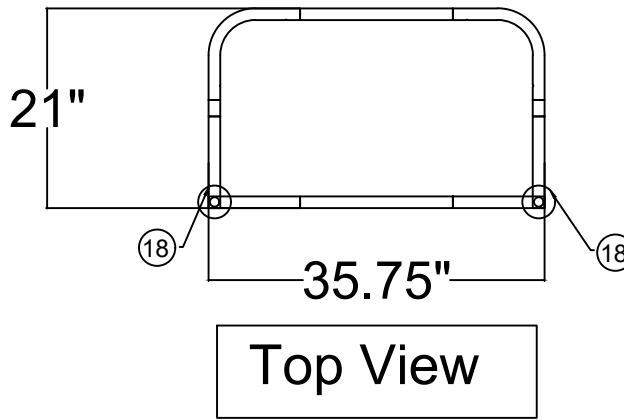


Attach monitor bracket bars onto WFA frame.

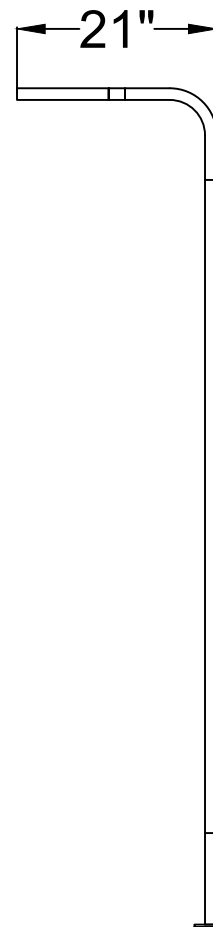
Monitor supplied by others supports up to 31" monitor



- \* Attach mounting rails onto back of monitor
- \* Hang monitor back onto support bars
- \* Attach shelves below monitor, making sure to face inward towards back display panel



Front View



Side View