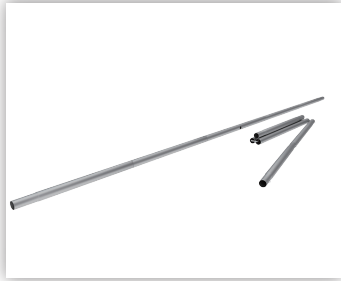
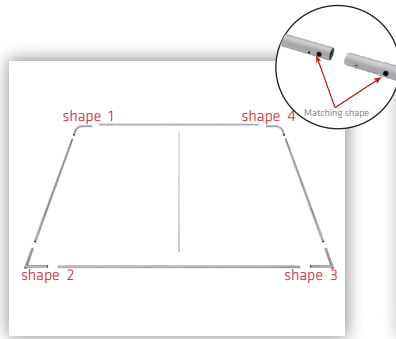


TNFB-5

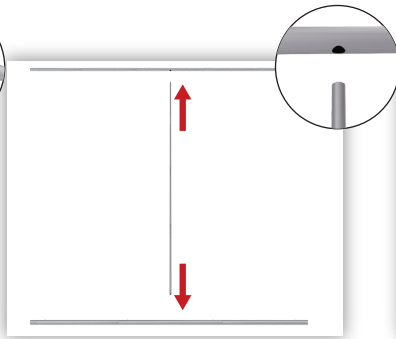
Setup Instructions



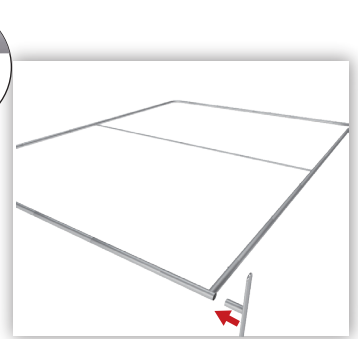
1. Connect poles by pressing and pushing.



2. Connect corner sections to straight sections with matching shape codes.



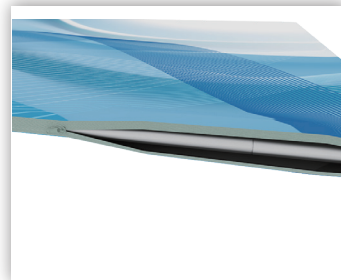
3. Insert center support pole



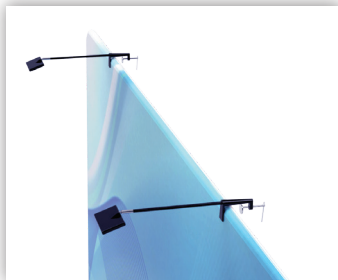
4. Connect feet by pressing and pushing.



5. Unzip print and lay image face up. Slide print onto frame like a pillow case.



6. Zip the bottom edge of the graphic fully across.



7. Position lights as desired and clamp in place.
(Optional)

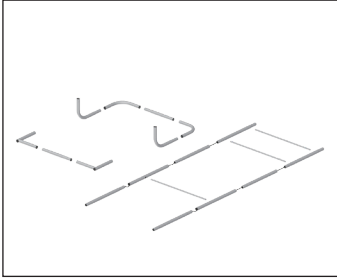


8. Enjoy.

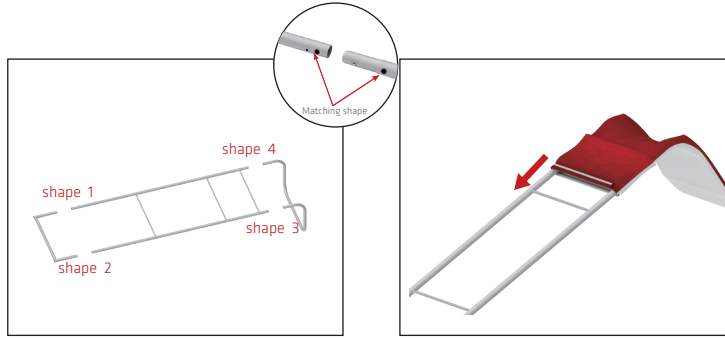


Shelf Module

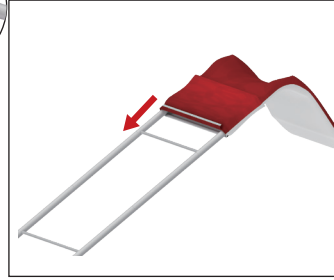
Setup Instructions



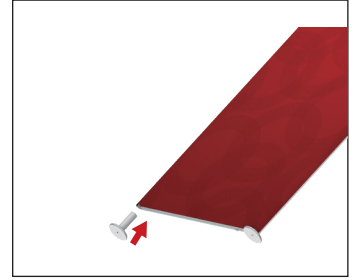
1. Connect poles by pressing and pushing.



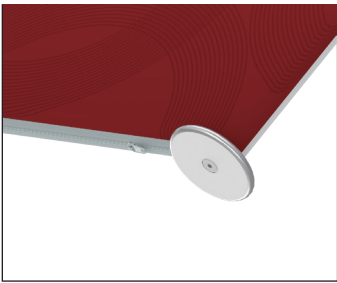
2. Connect corner sections to straight sections with matching shape codes.



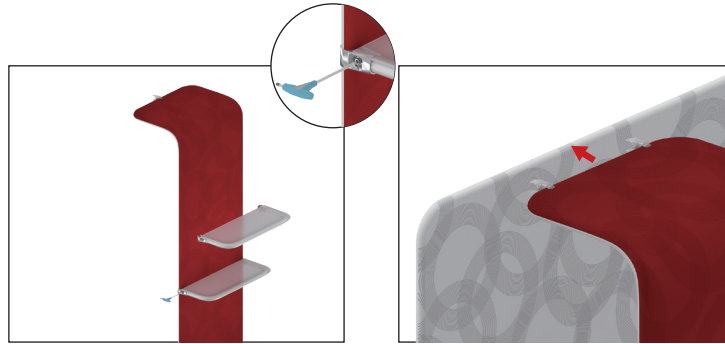
3. Unzip print and lay image face up. Slide print onto frame like a pillow case.



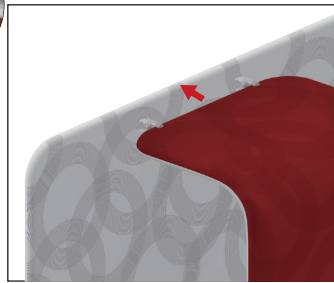
4. Connect feet by pressing and pushing.



5. Zip the bottom edge of the graphic beyond the center point as shown above.



6. The shelves come semi assembled, just make sure that they are level before you tighten the clamp.



7. Position frame as desired and clamp in place.



8. Enjoy.

Case to Counter

Setup Instructions



1. Hardcase with wheels and handle



2. Release fasteners



3. Get all parts out



4. Screw the poles into the case



5. Secure all 4 poles



6. Cover the black skirt or graphic on the bottom



7. Connect the top and poles



8. Place top on poles



9. Pull the black skirt or graphic up



10. Place countertop on display

***** Please Note: Fastening the poles into the base incorrectly may result in damage to the unit**

