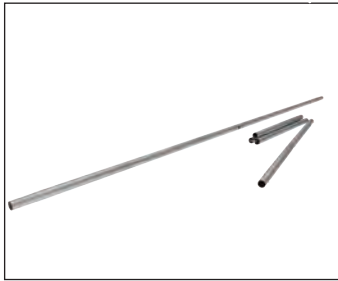
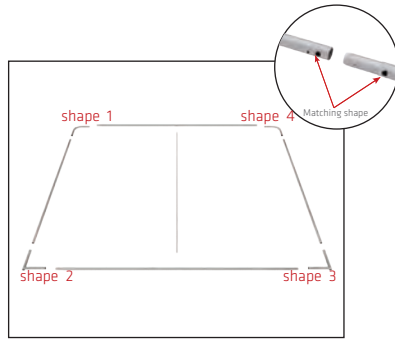


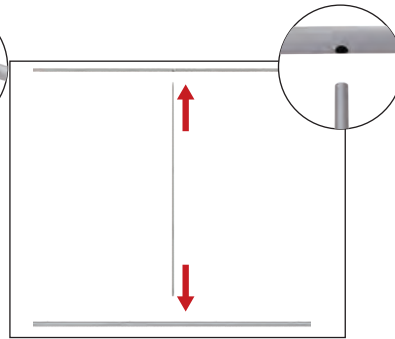
TNF-SLF Set-up Instructions



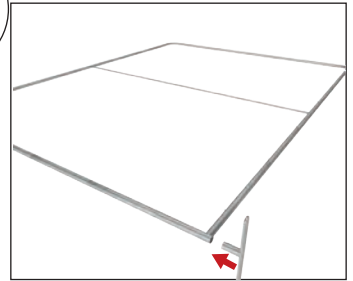
1. Connect poles by pressing and pushing.



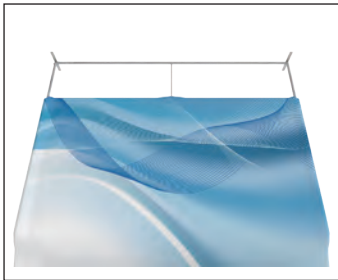
2. Connect corner sections to straight sections with matching shape codes.



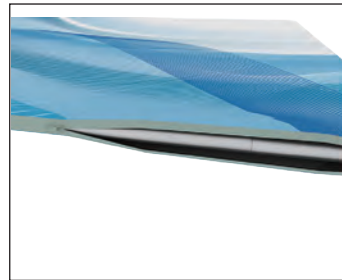
3. Insert center support pole



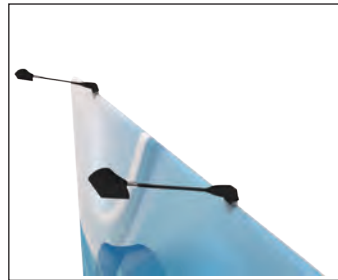
4. Connect feet by pressing and pushing.



5. Unzip print and lay image face down. Slide print onto frame like a pillow case.



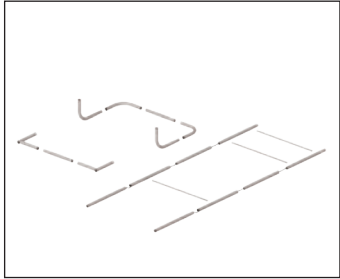
6. Zip the bottom edge of the graphic beyond the centre point as shown above. Zip the remaining side and bottom to meet at the corner, attach lights if any.



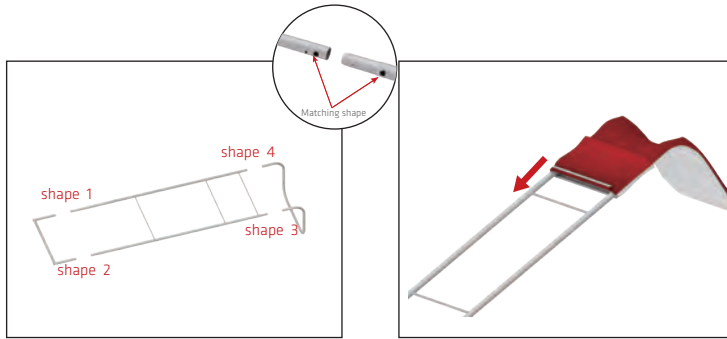
7. Position lights as desired and clamp in place.



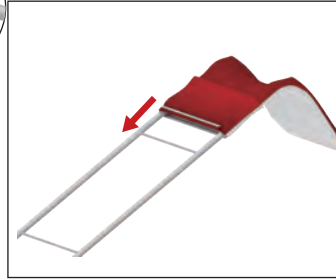
8. Enjoy.



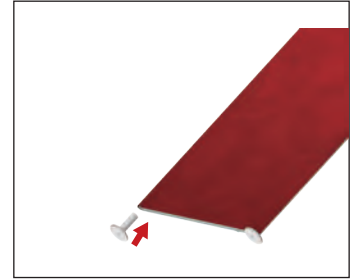
1. Connect poles by pressing and pushing.



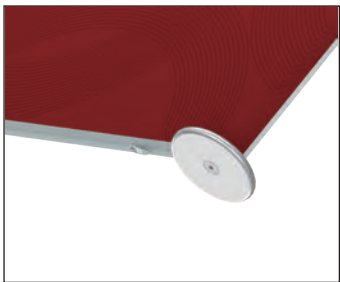
2. Connect corner sections to straight sections with matching shape codes.



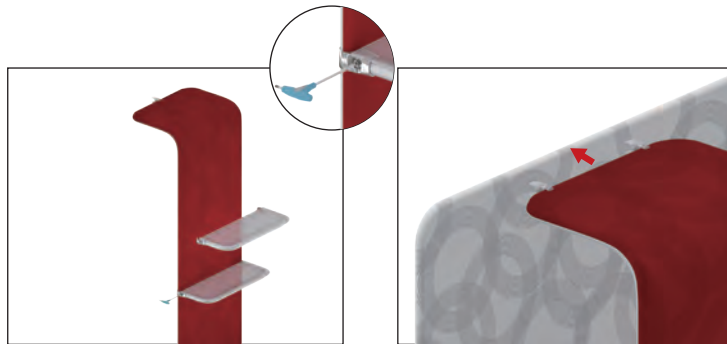
3. Unzip print and lay image face down. Slide print onto frame like a pillow case.



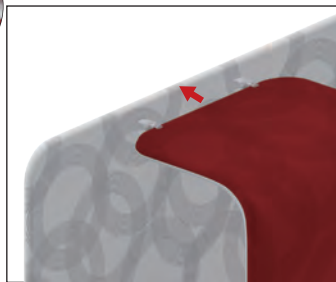
4. Connect feet by pressing and pushing.



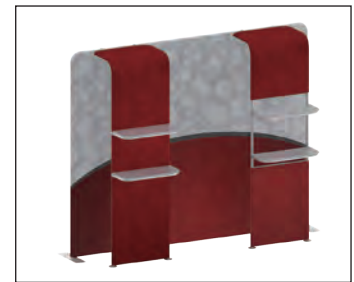
5. Zip the bottom edge of the graphic beyond the center point as shown above.



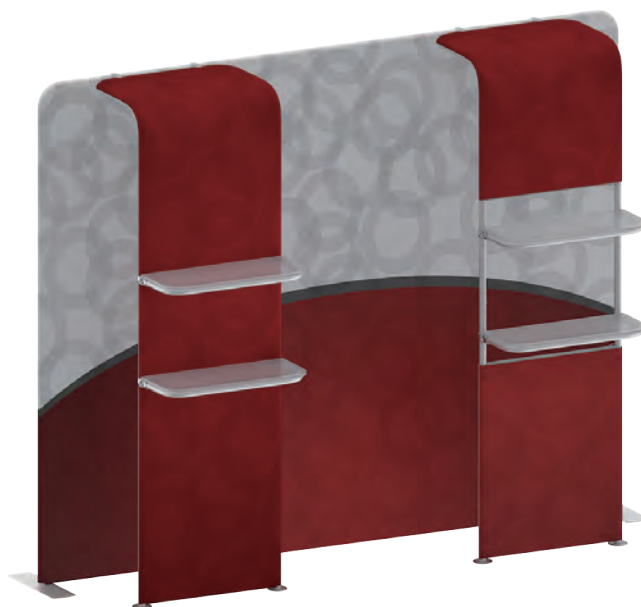
6. The shelves come semi assembled, just make sure that they are level before you tighten the clamp.



7. Position frame as desired and clamp in place.



8. Enjoy.





1.



2.



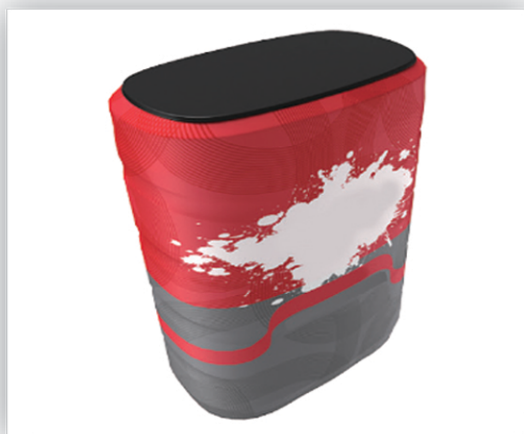
3.



4.



5.



6.