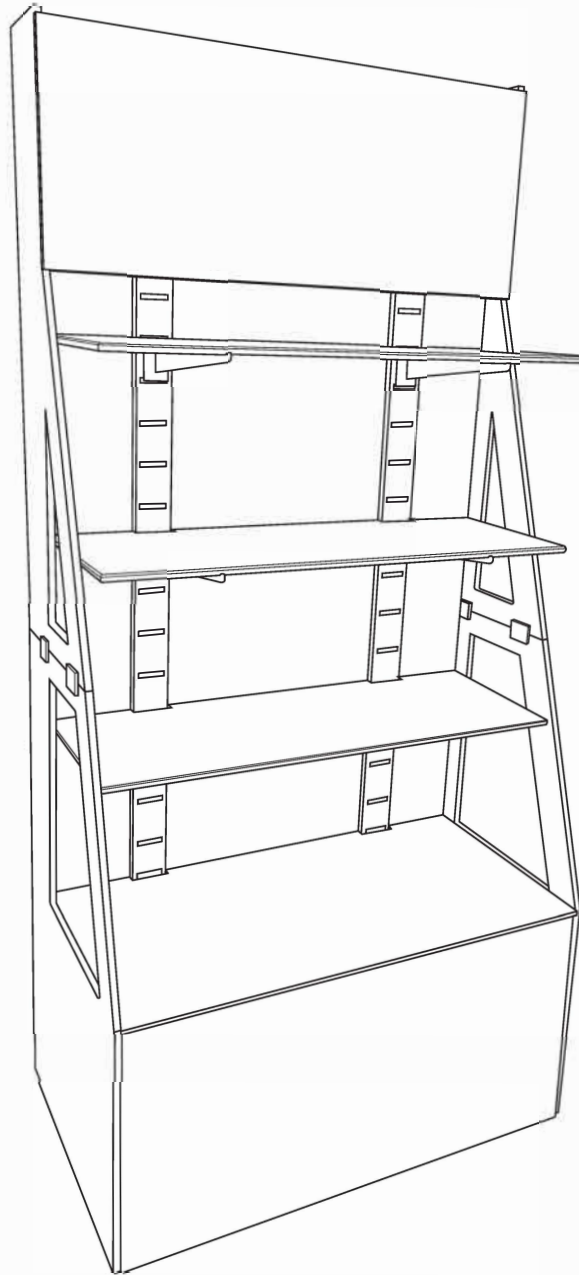
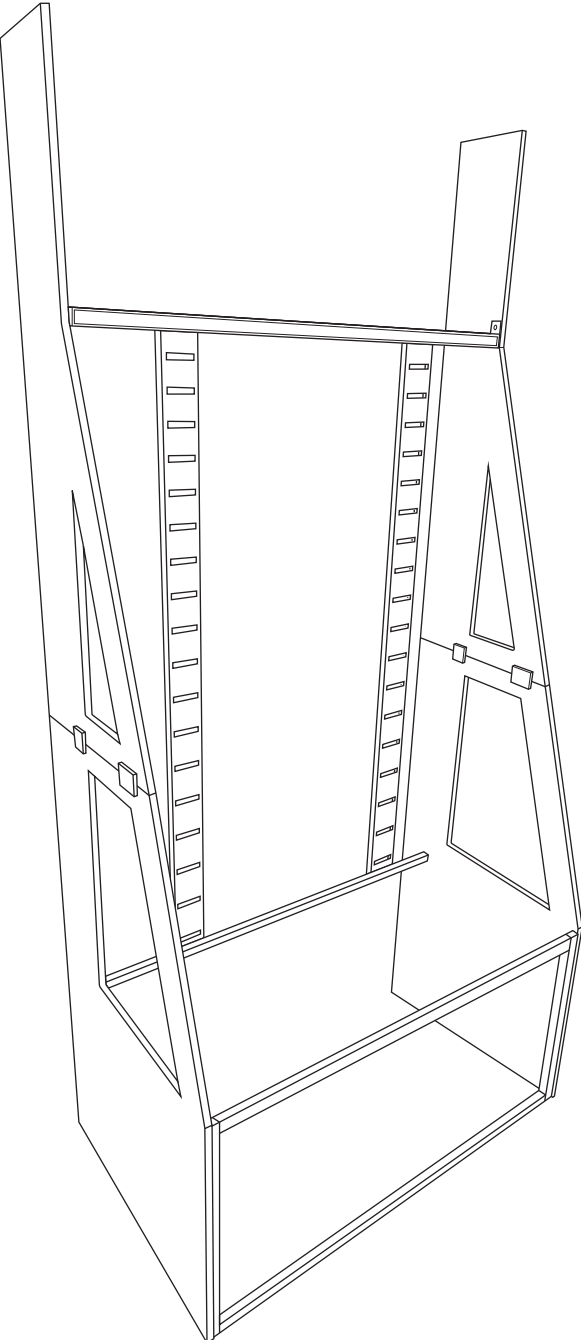


Shelf Display

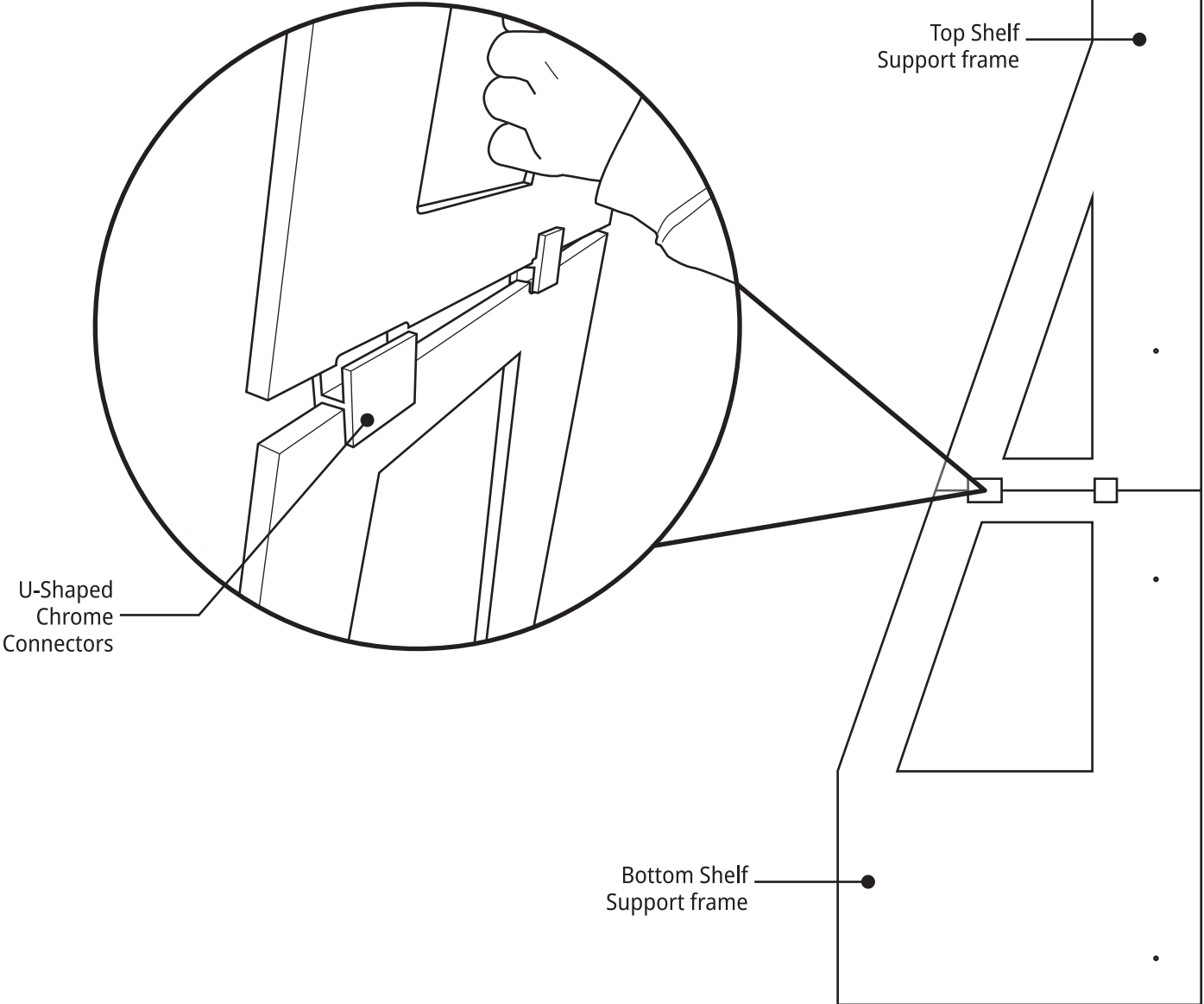


Assemble the shelf support unit first



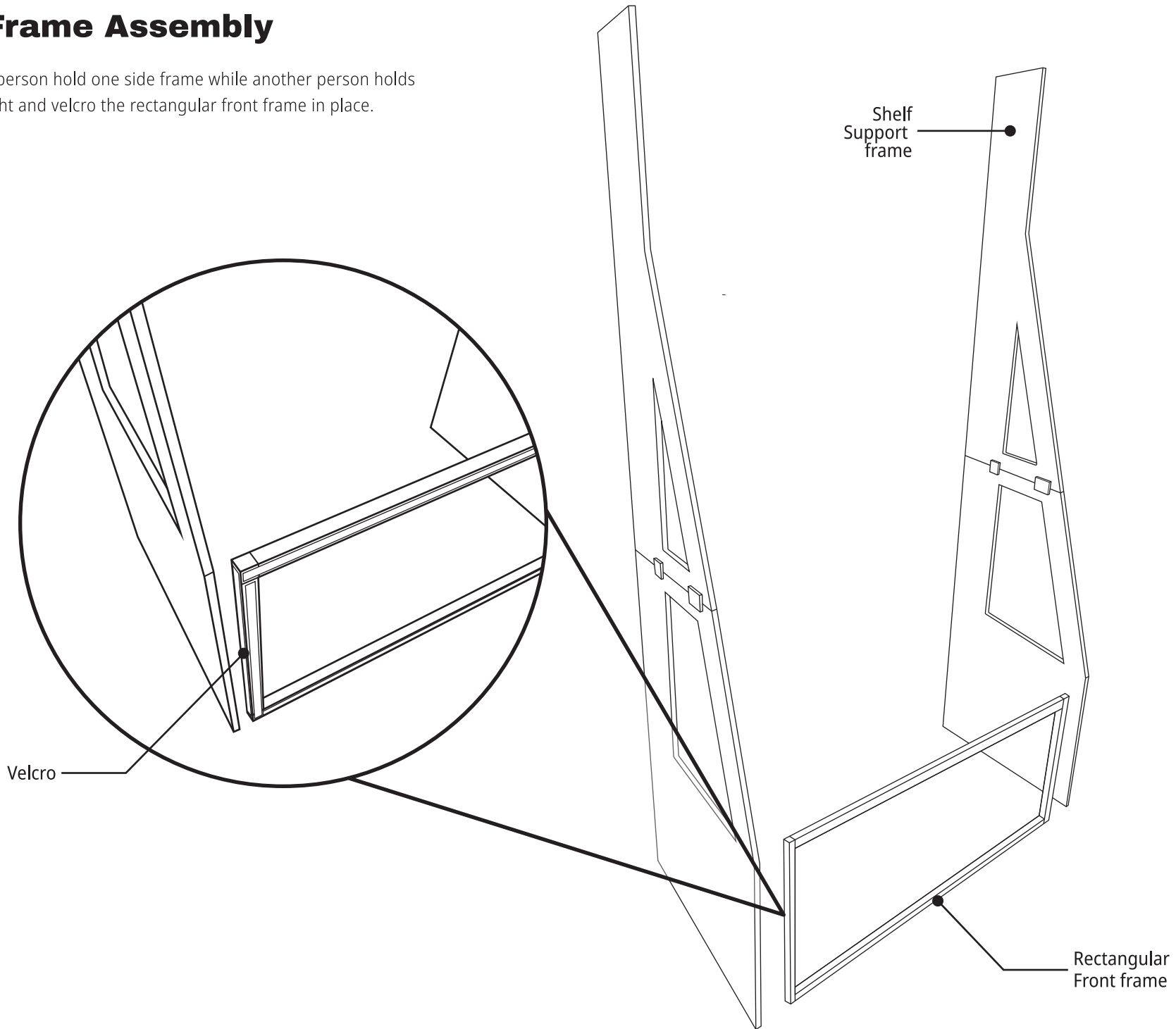
Shelf support frame assembly (2x)

The first step is to assemble the shelf support frame. Start by attaching the two side supports together for both the left and right side supports using the U-Shaped chrome connectors.



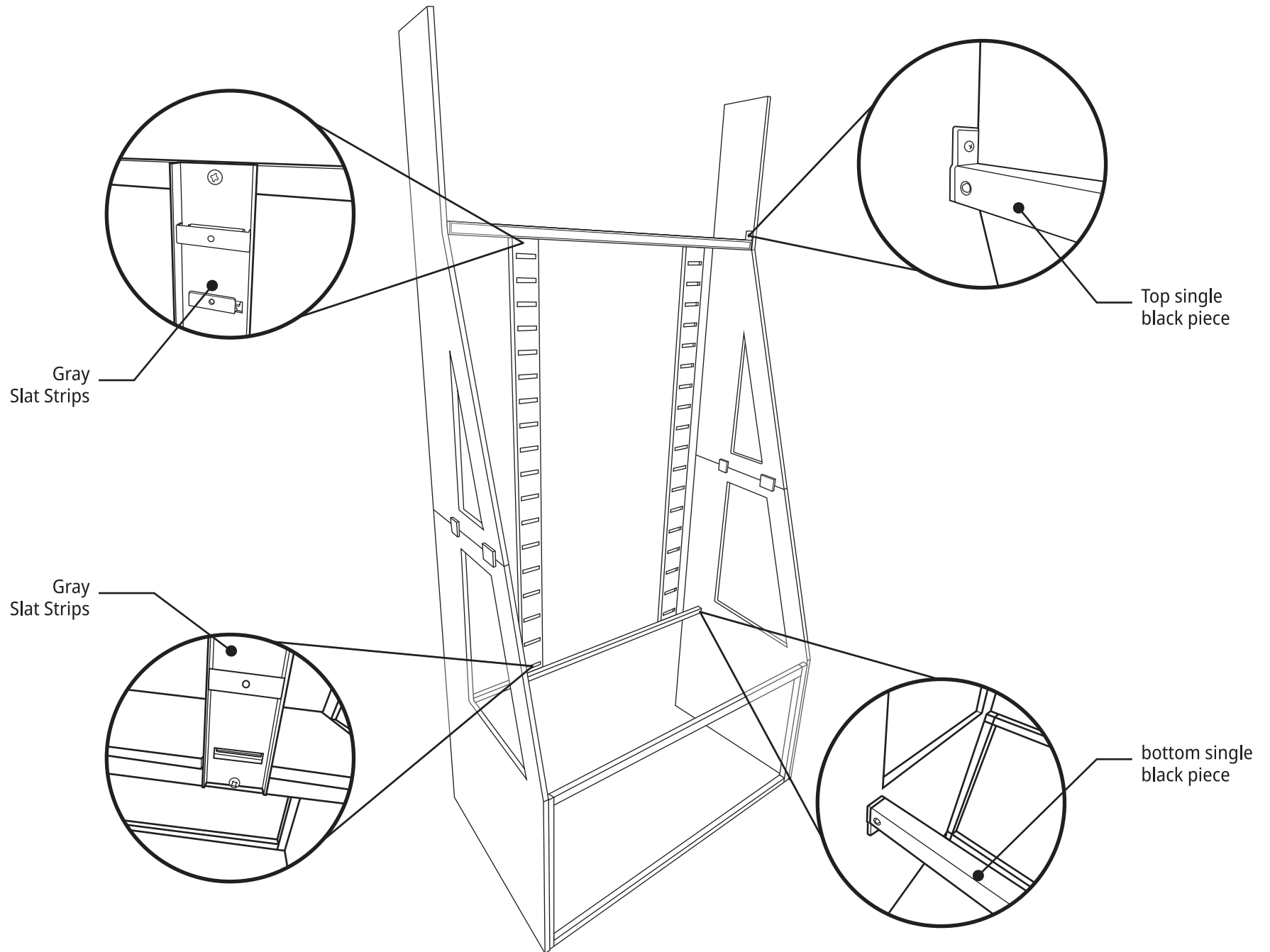
Front Frame Assembly

Next have one person hold one side frame while another person holds the other upright and velcro the rectangular front frame in place.

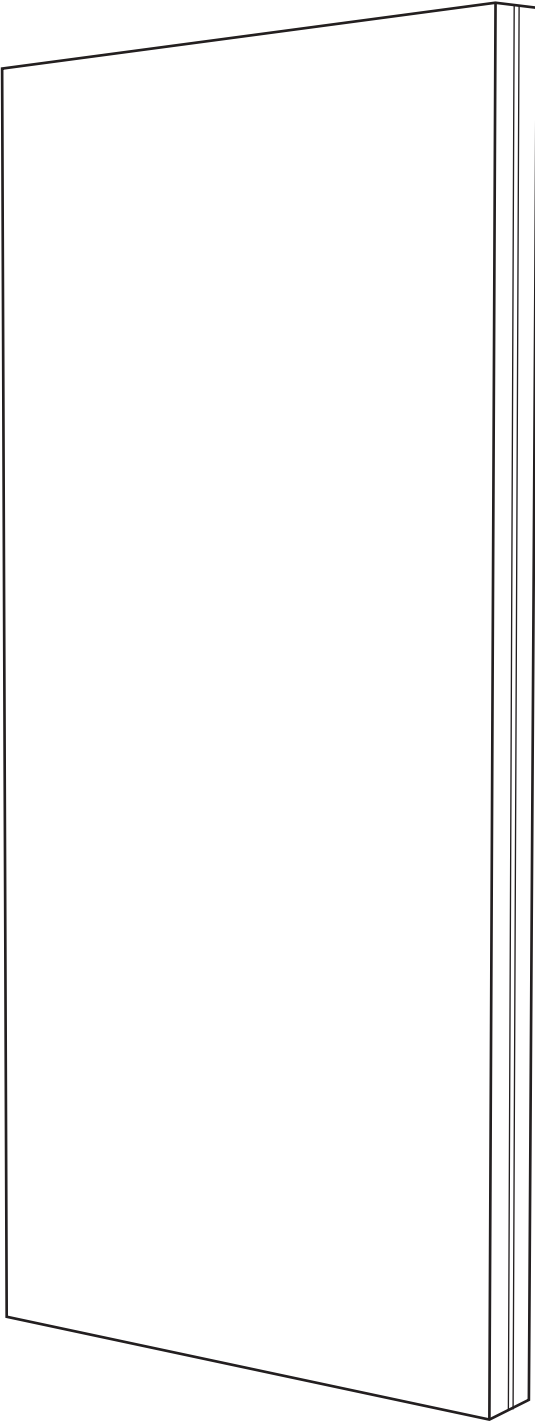
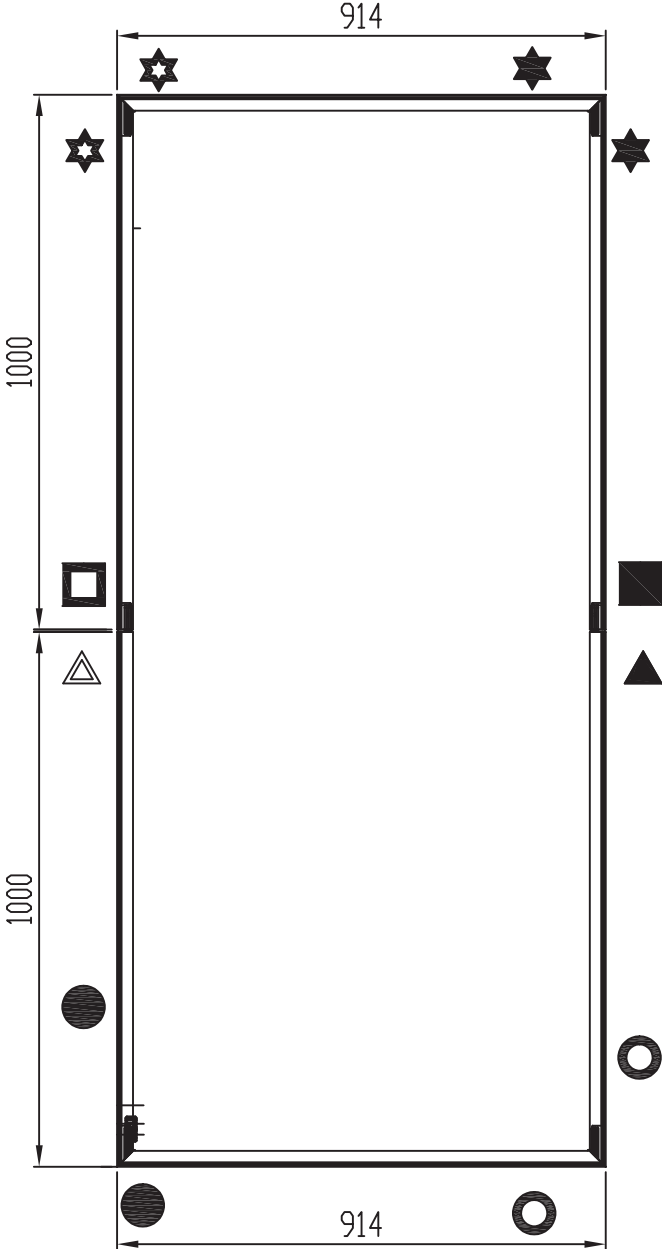


Next, connect the bottom single black piece of frame to the push button connectors on the side supports.

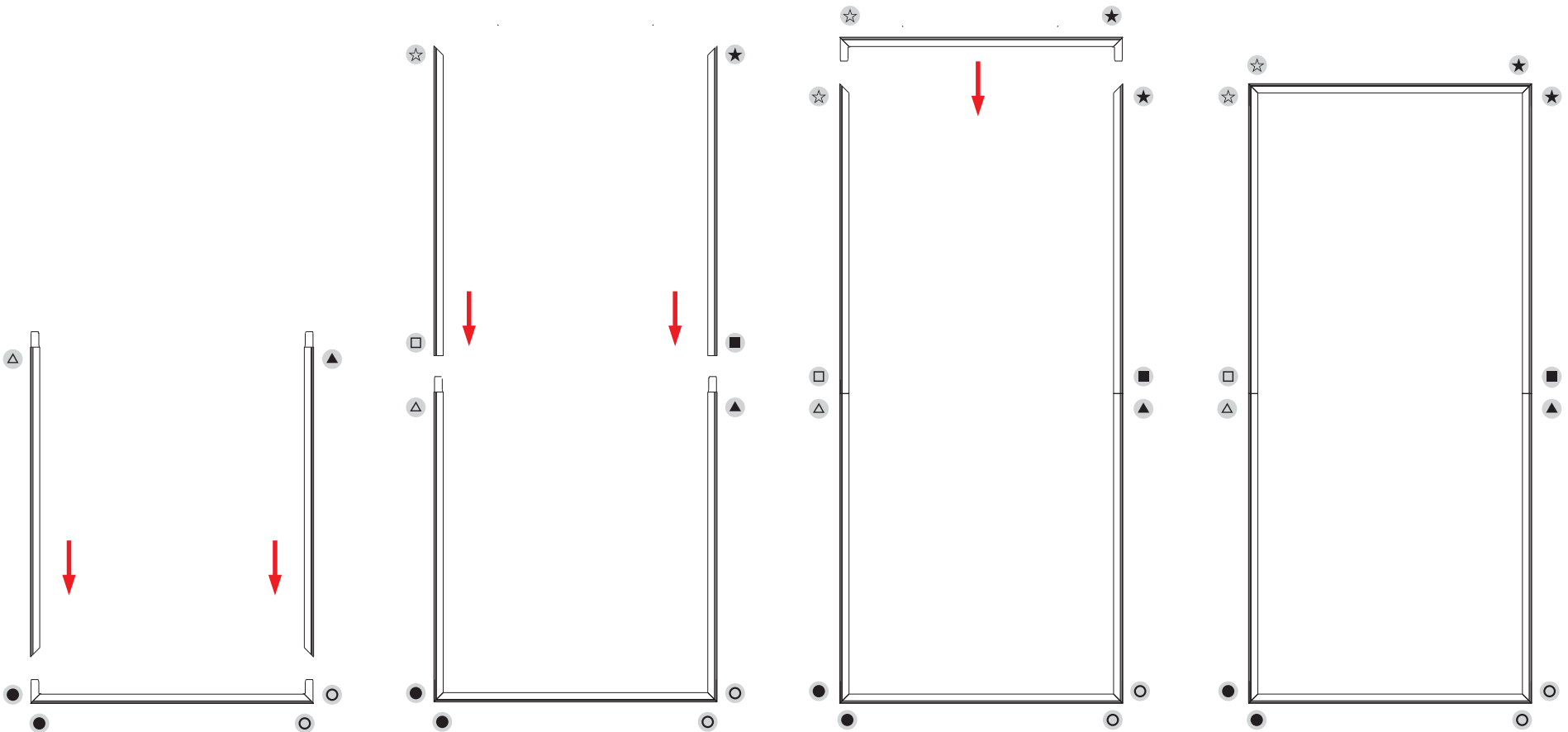
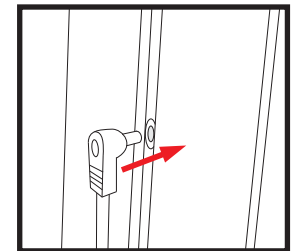
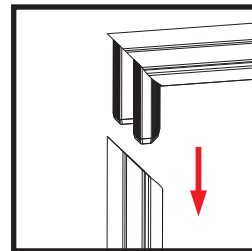
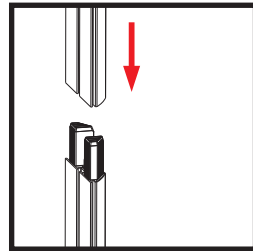
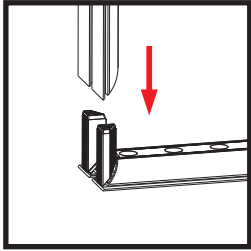
Next connect the top single black piece of frame to the side supports. Then mount the gray slat strips to the black frames using the supplied hardware at the top and bottom. It is important to note the "TOP" label on the top of the slat strip.



6.5'h Light box Frame assembly

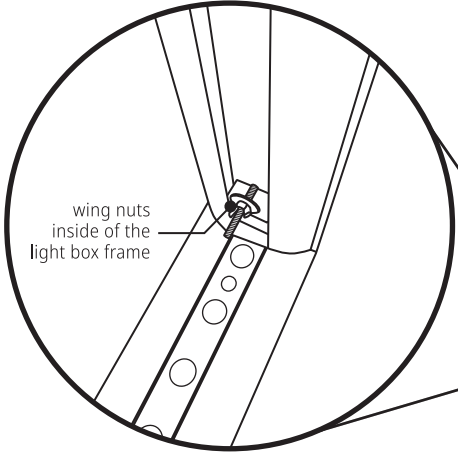
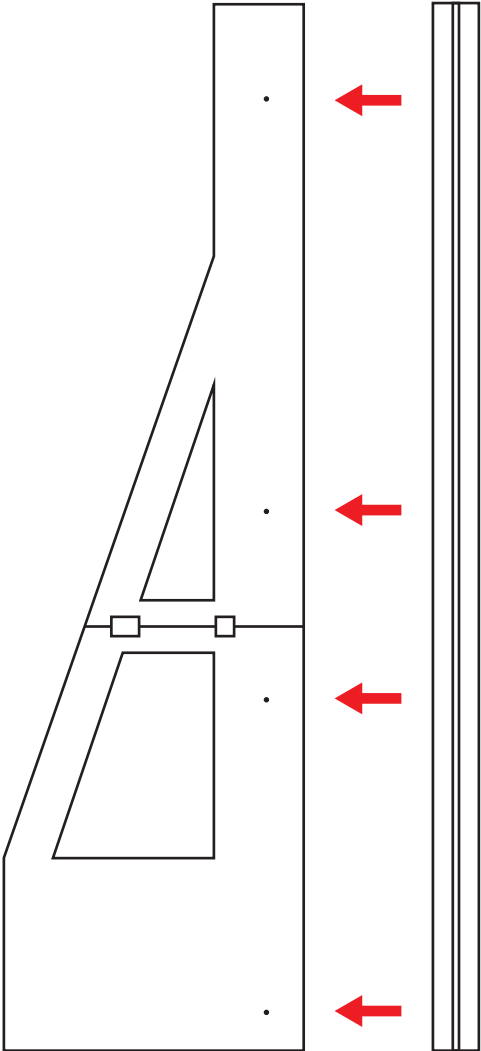


Assemble the light box frame on the ground and attach the front graphic. Move the light box frame into place between the side shelf supports. Make sure to attach the white plug into the side of the light box frame and push the cord into the groove before moving the light box frame all the way into position in between the side shelf supports.

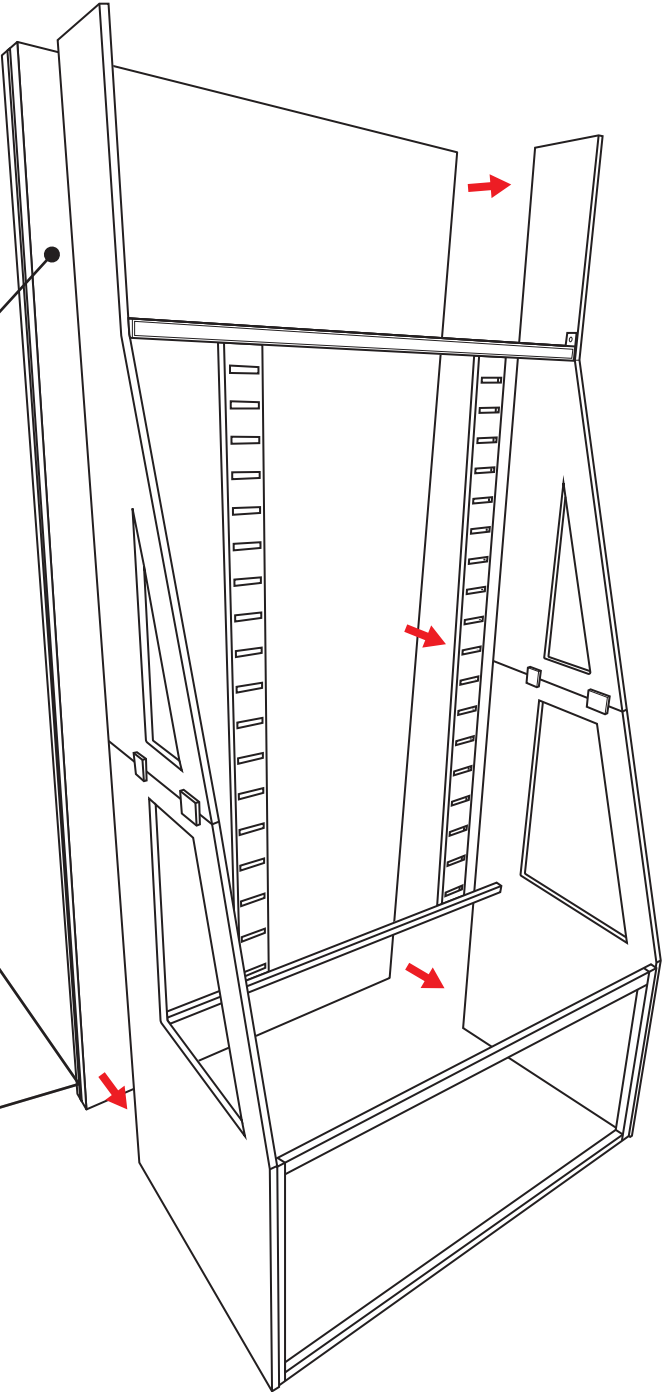


Attach the Light Box Frame

Attach the Light box Frame to Frame support. Use the supplied hardware (bolts and wing nuts) to attach the side supports to the light box frame. The wing nuts go on the inside of the light box frame. Please note that the longer bolt goes above the plug.

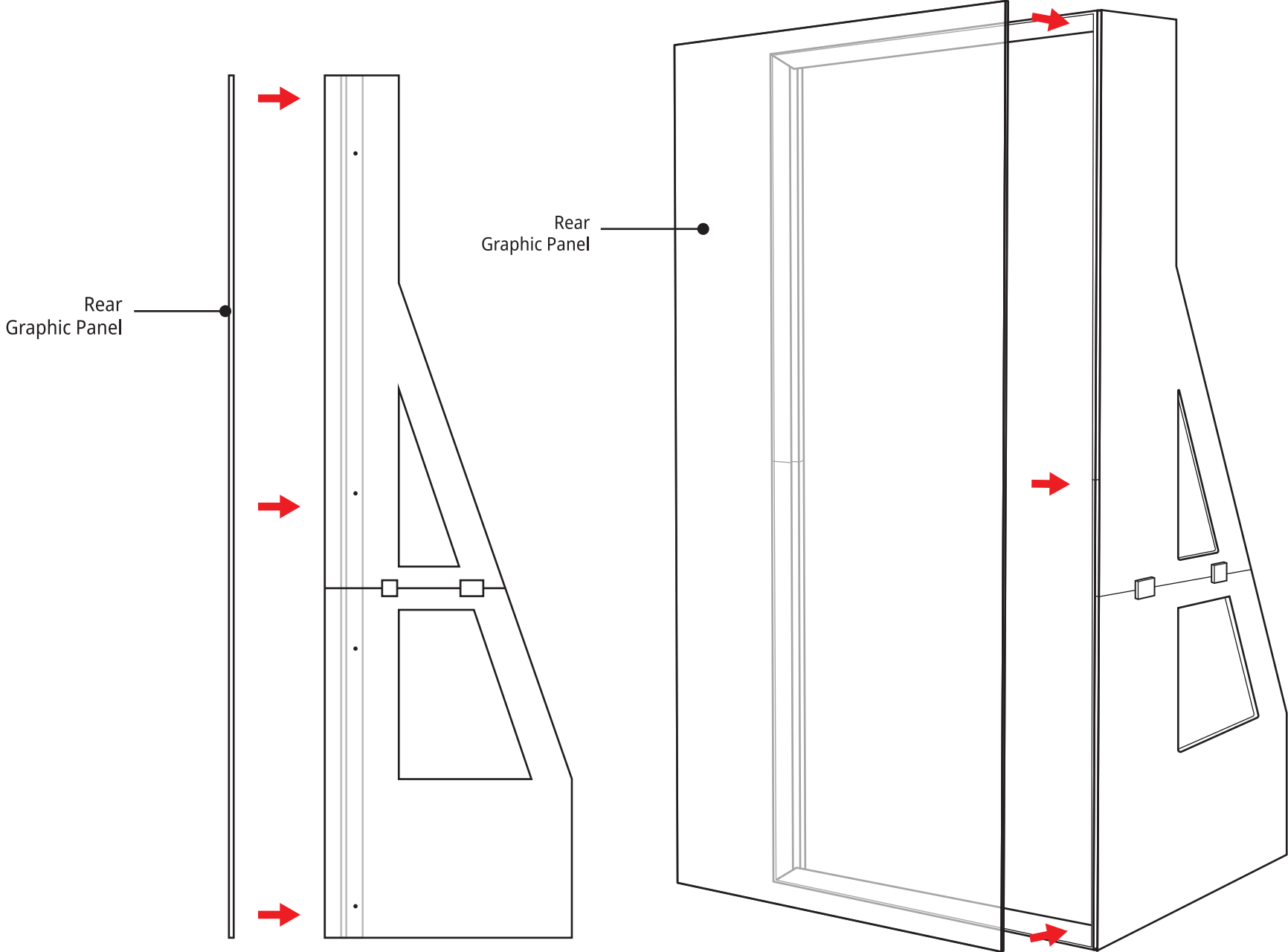


6.5'h Light box Frame



Attach the Rear Graphic Panel

Next, after the side supports are attached to the light box, attach the rear graphic panel.



Attach the Header graphic, Shelf Support Bracket, Shelves, Base storage top/shelf.

Finally attach the header graphic, shelf support brackets, shelves, base storage top/shelf, and base storage front panel. To access storage panel tilt the base shelf up or peel front panel back.

