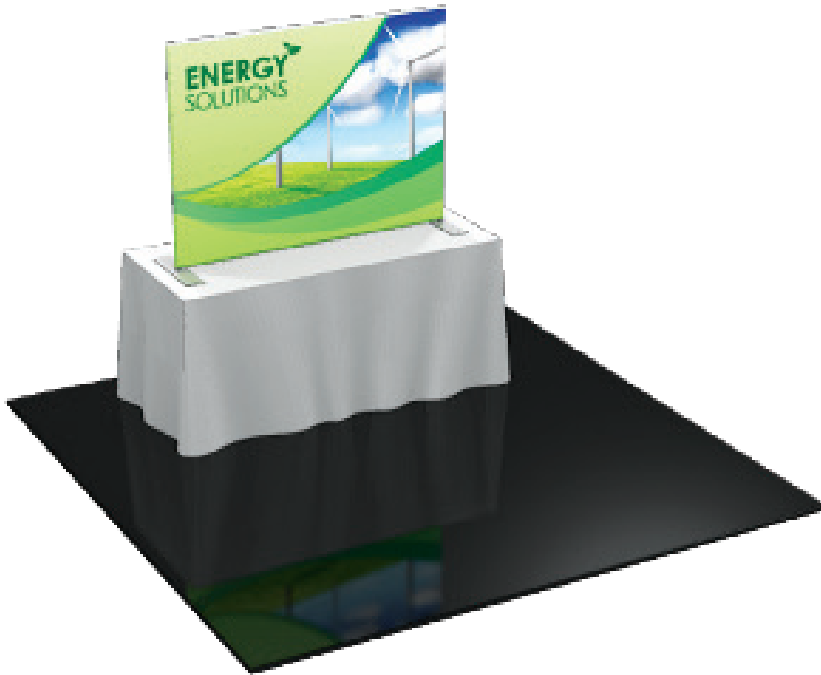


OBF-3



features and benefits:

- State-of-the-art 30mm aluminum tube frame with snap button assembly
- Fits on a 6ft wide table
- Easy to store and ship
- Quick to assemble
- Kit includes: one frame, one dye-sublimated zipper pillowcase graphic, and one wheeled molded OCS storage case
- Lifetime hardware warranty against manufacturer defects

dimensions:

| Hardware | Graphic |
|--|--|
| <p>Assembled unit: 64.724" w x 46.811" h x 17.717" d</p> <p>Approximate weight (includes graphic): 17 lbs / 7.7 kg</p> | <p>Total visual area: 62" w x 46.417" h</p> <p>Please be sure to include a 2" bleed around the perimeter.</p> <p>Refer to related graphic template for more information.</p> |
| Shipping | |
| <p>Shipping dimensions: 1 OCS case: 19" l x 19" w x 45" h</p> <p>Approximate shipping weight (with case): 25 lbs / 11.3 kg</p> | <p>Visit: www.exhibitors-handbook.com/graphic-templates</p> |

additional information:

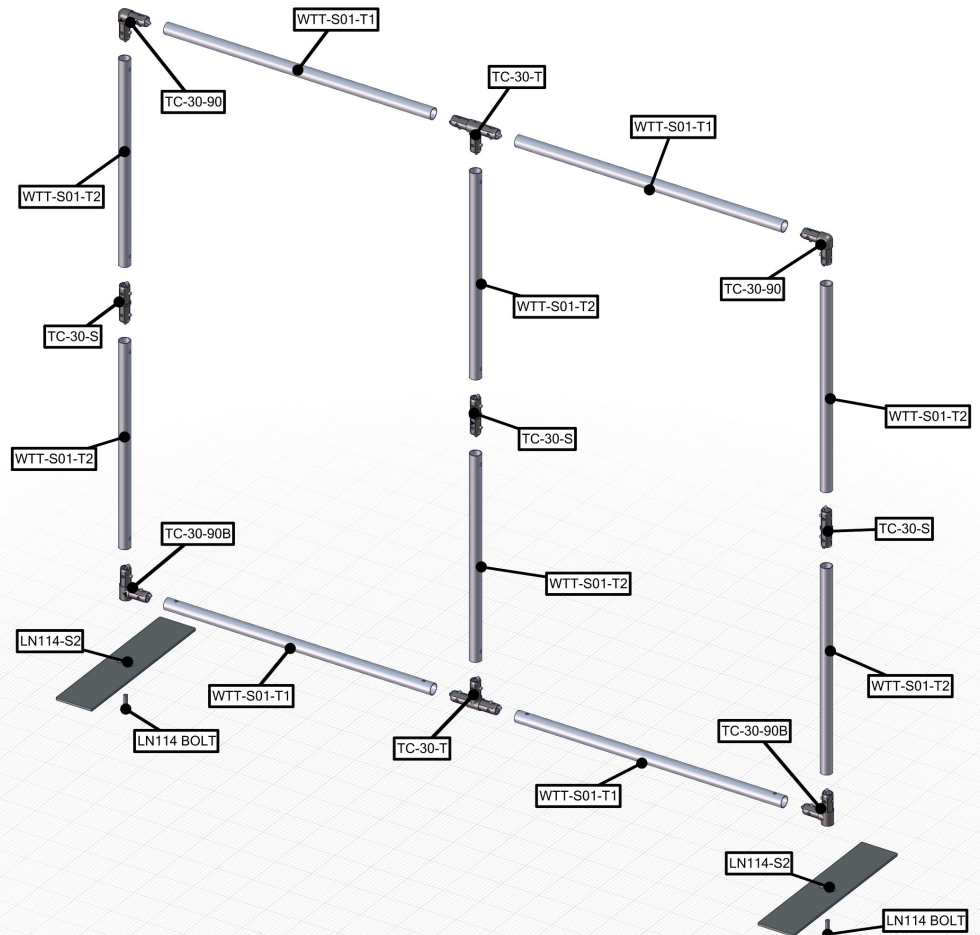
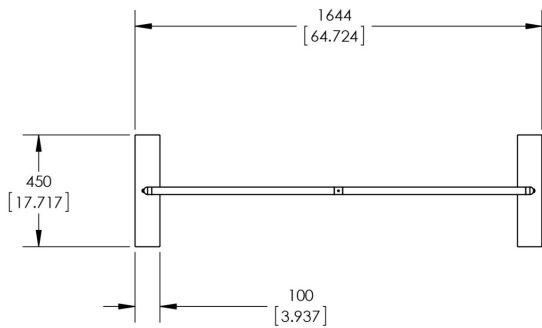
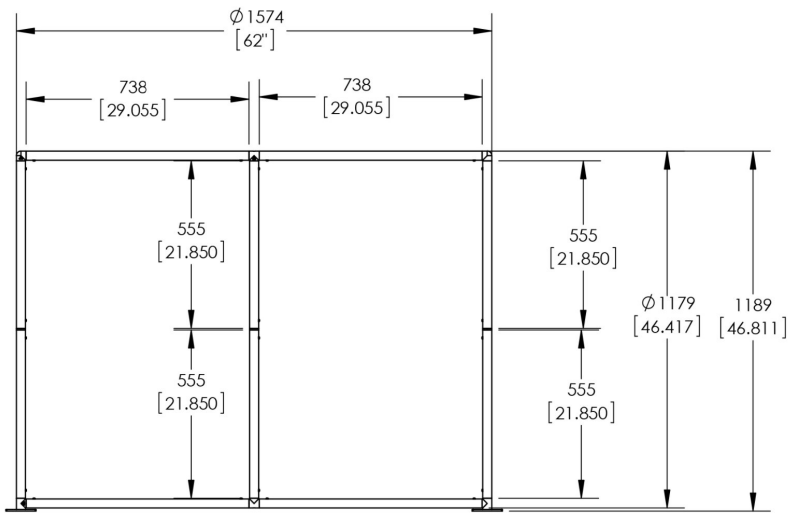
Graphic material:
dye-sublimated zipper pillowcase fabric

*Backside can be upgraded to print

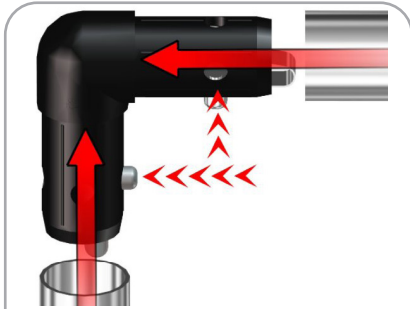
We are continually improving and modifying our product range and reserve the right to vary the specifications without prior notice. All dimensions and weights quoted are approximate and we accept no responsibility for variance. E&OE. See Graphic Templates for graphic bleed specifications.

Parts Included

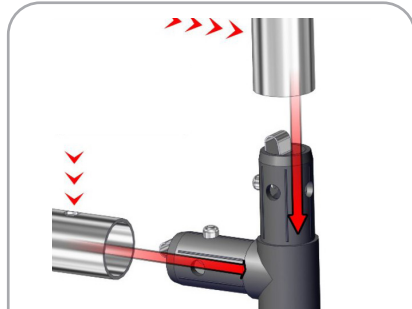
| Part Label | Qty | Part Code |
|---|-----|------------|
| LN114 BOLT | x2 | LN114 BOLT |
| 5MM STEEL BASE STYLE 2 FOR LINEAR | x2 | LN114-S2 |
| 90 DEGREE ELBOW JOINT FOR 30MM TUBING WITH INSERT FOR BASEPLATE | x2 | TC-30-90B |
| 90 DEGREE ELBOW JOINT FOR 30MM TUBING | x2 | TC-30-90 |
| INLINE CONNECTOR FOR 30MM TUBING | x3 | TC-30-S |
| T JUNCTION FOR 30MM TUBING | x2 | TC-30-T |
| 30MM STRAIGHT TUBE (738MM) | x4 | WTT-S01-T1 |
| 30MM STRAIGHT TUBE (555MM) | x6 | WTT-S01-T2 |



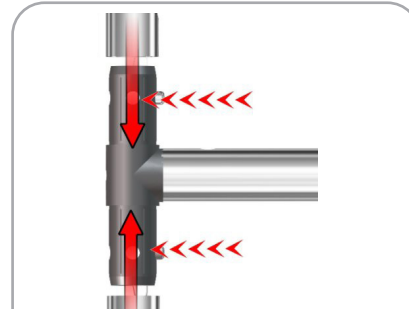
STEP 1: ASSEMBLE FRAME



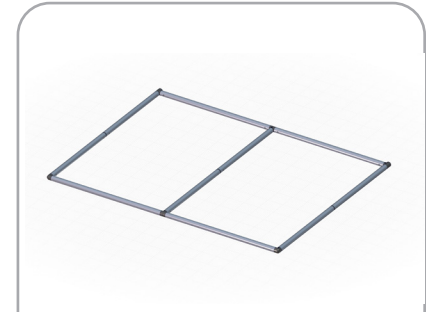
Assemble frame corners using TC-30-90. Label codes will be on backside of tube. It is best to assemble frame laying flat.



Use TC-30-90B for bottom corners. Connect sides of frame to elbow joint by pressing snap buttons.

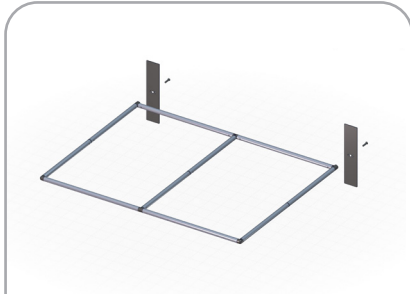


Using TC-30-T to connect frame in the middle at top and bottom.

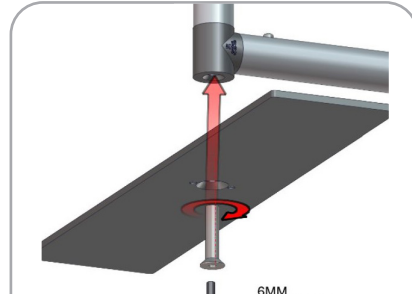


Frame is complete.

STEP 2: ATTACH FEET

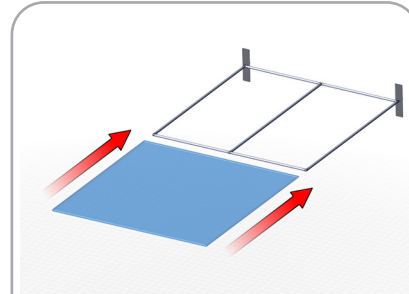


Once frame is connected attach feet. It is best to assemble with frame still laying flat.

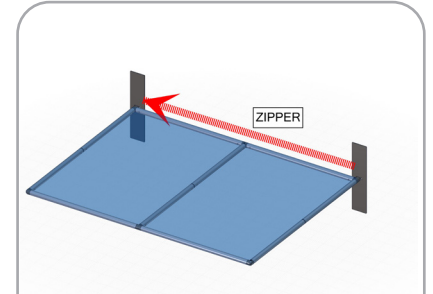


Using provided allen key, secure feet to bottom of frame by screwing bolt.

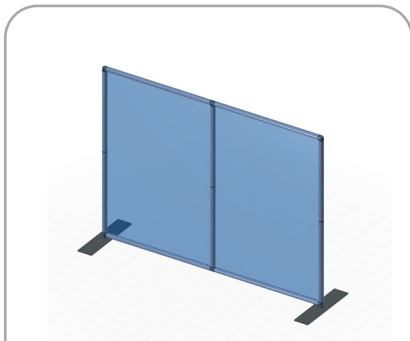
STEP 3: ATTACH GRAPHIC



Slide graphic over top end of frame.



Zip fabric graphic close on bottom.



Stand unit upright.