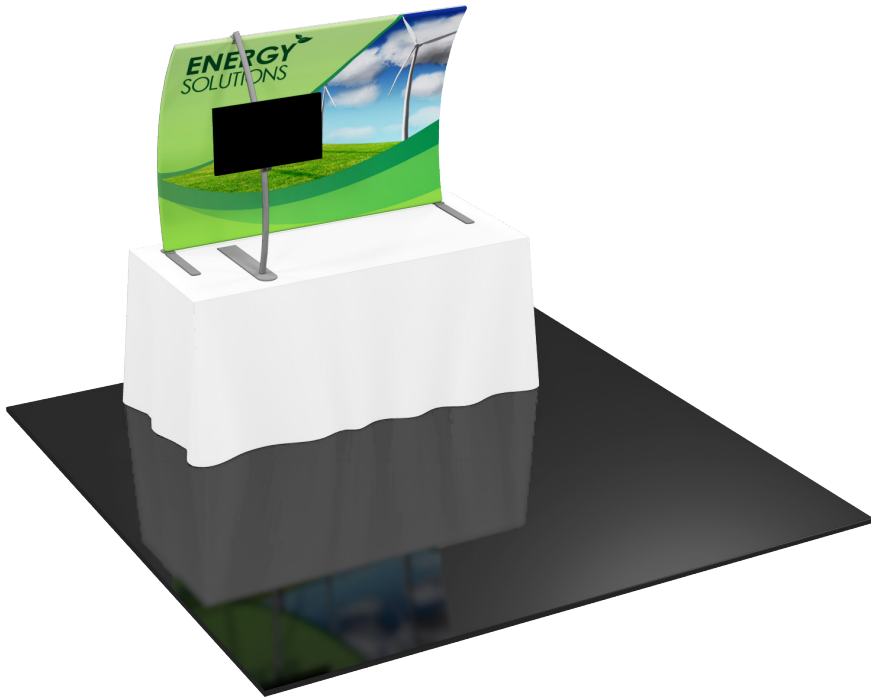


OBF-2



features and benefits:

- State-of-the-art 30mm aluminum tube frame with snap button assembly
- Fits on a 6ft wide table
- Easy to store and ship
- Quick to assemble
- Kit includes: one frame, one dye-sublimated pillowcase zipper graphic, stand-off monitor mount, and one wheeled molded OCS storage case
- Stand-off monitor mount is repositionable
- Lifetime hardware warranty against manufacturer defects

dimensions:

Hardware	Graphic
<p>Assembled unit: 61.969" w x 45.498" h x 25.193" d</p> <p>Approximate weight (includes graphic): 15.62 lbs / 7 kgs</p>	<p>Total visual area: 62" w x 45.5" h 1575mm(w) x 1156mm(h)</p> <p>Please be sure to include a 2" bleed around the perimeter.</p> <p>Refer to related graphic template for more information.</p>
<p>Shipping</p> <p>Shipping dimensions: 1 OCS case: 19" l x 19" w x 45" h 483mm(l) x 483mm(w) x 1143mm(h)</p> <p>Approximate shipping weight (with case): 33.61 lbs / 15.25 kgs</p>	<p>Visit: www.exhibitors-handbook.com/graphic-templates</p>

additional information:

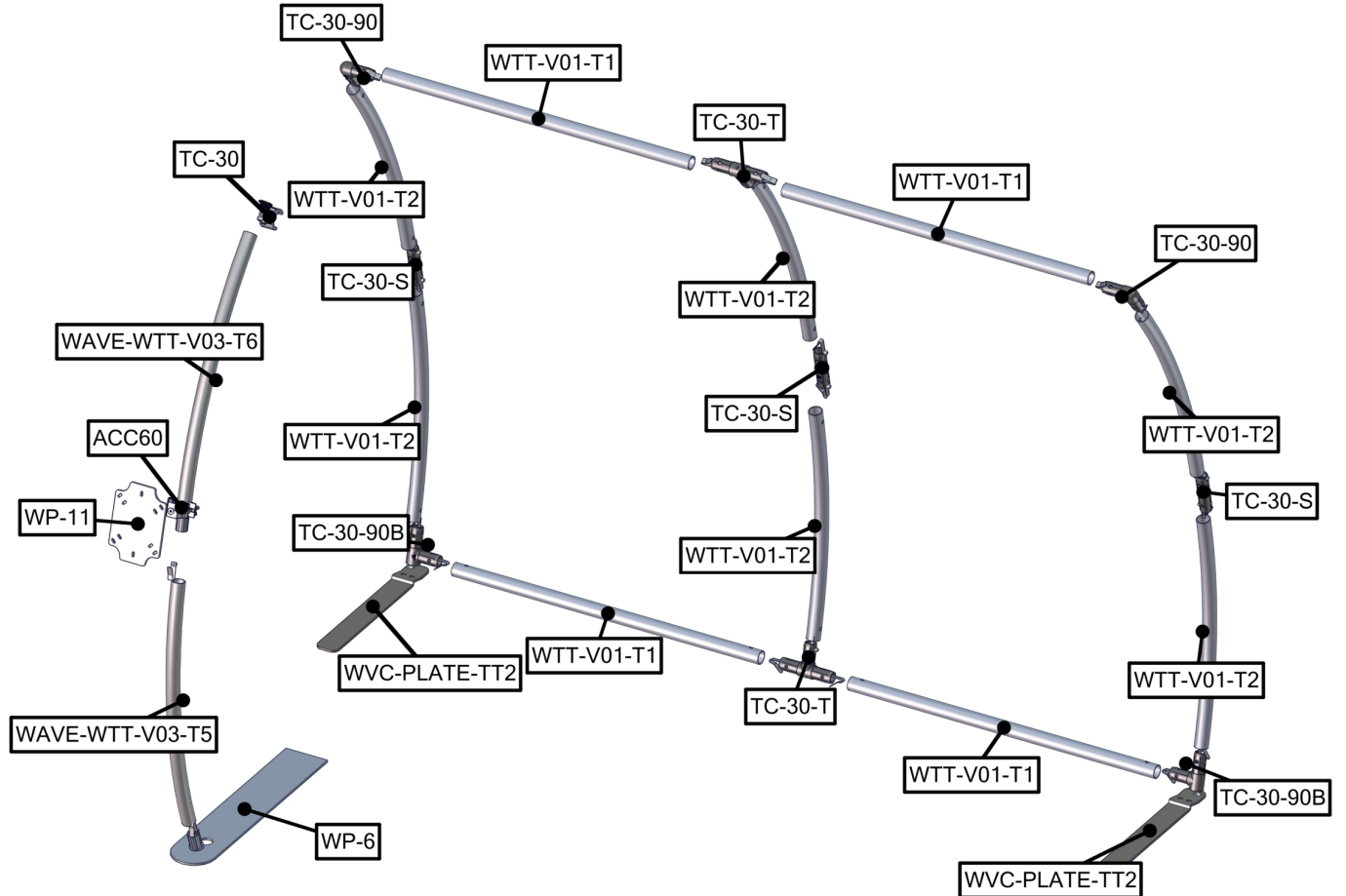
Graphic material:
Dye-sublimated zipper pillowcase fabric

Monitor mount max weight/size:
21 lbs / 9.5 kgs

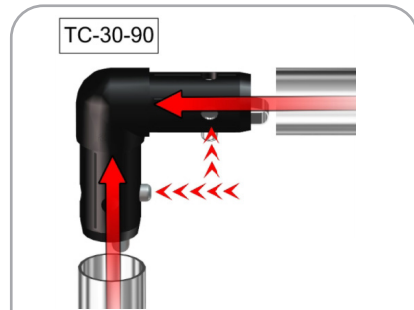
*Monitor not included

We are continually improving and modifying our product range and reserve the right to vary the specifications without prior notice. All dimensions and weights quoted are approximate and we accept no responsibility for variance. E&OE. See Graphic Templates for graphic bleed specifications.

Parts Included		
Part Label	Qty	Part Code
30MM TUBE CLAMP	x1	ACC60
90 DEGREE ELBOW JOINT FOR 30MM TUBING WITH INSERT FOR BASEPLATE	x2	TC-30-90B
90 DEGREE ELBOW JOINT FOR 30MM TUBING	x2	TC-30-90
INLINE CONNECTOR FOR 30MM TUBING	x3	TC-30-S
T JUNCTION FOR 30MM TUBING	x2	TC-30-T
30MM CURVED TUBE (R1100MM X 610MM)	x1	WTT-V03-T5
30MM CURVED TUBE SWAGED ONE END (R1100MM X 610MM)	x1	WTT-V03-T6
WP-6 WELDED PLATE	x1	WP-6
WP-11 WELDED PLATE	x1	WP-11
30MM STRAIGHT TUBE (738MM)	x4	WTT-V02-T1
30MM CURVED TUBE (R1210MM X 550MM)	x6	WTT-V02-T2
STEEL PLATE FOR WVC TT2	x2	WVC-PLATE-TT2
TABLETOP FABRIC GRAPHIC	x1	WTT-V03-G

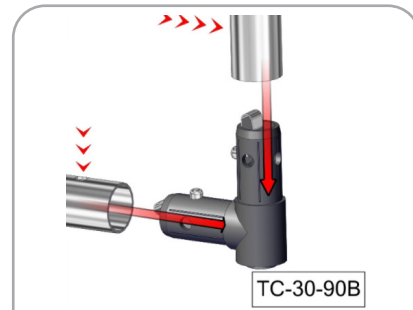


STEP 1: ASSEMBLE FRAME



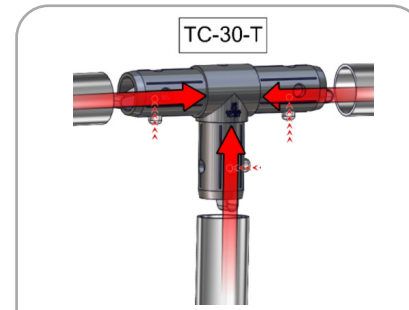
TC-30-90

Assemble top frame corners using TC-30-90. Label codes will be on backside of tube. It is best to assemble frame laying flat.



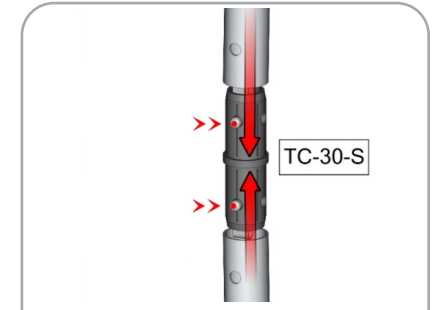
TC-30-90B

Use TC-30-90B for bottom corners. Connect sides of frame to elbow joint by pressing snap buttons.



TC-30-T

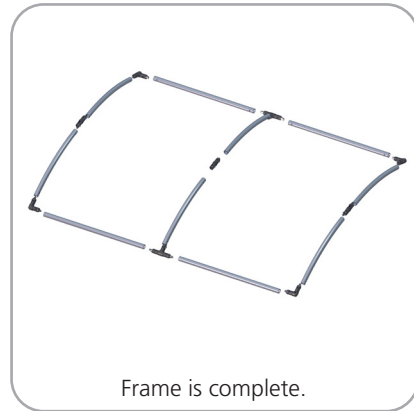
Use TC-30-T for middle joints at the top and bottom. Connect frame by pressing snap buttons.



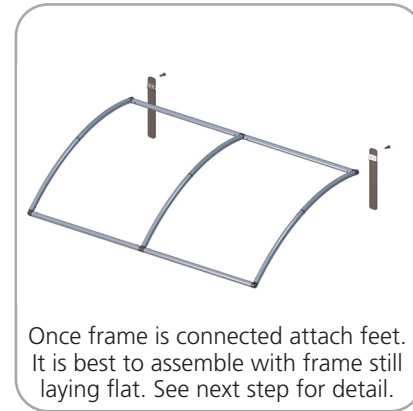
TC-30-S

Use TC-30-S for frame sides and middle. Connect frame by pressing snap buttons.

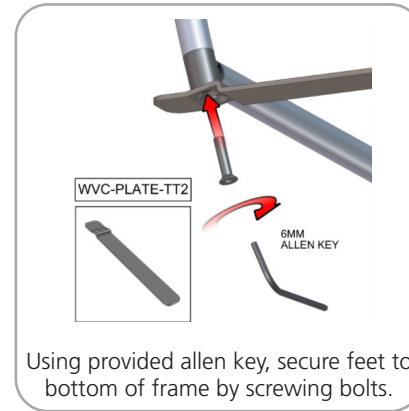
STEP 2: ATTACH FEET



Frame is complete.



Once frame is connected attach feet. It is best to assemble with frame still laying flat. See next step for detail.

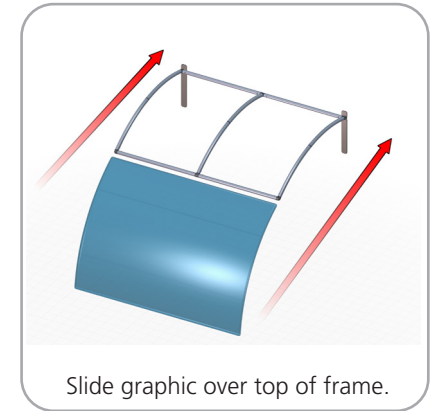


WVC-PLATE-TT2

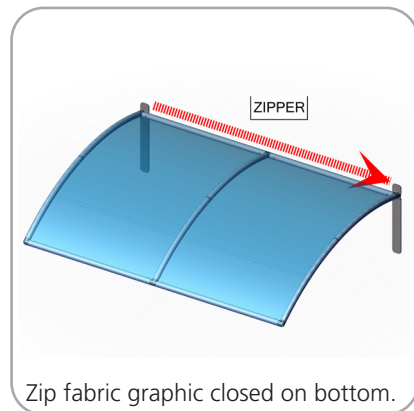
6MM ALLEN KEY

Using provided allen key, secure feet to bottom of frame by screwing bolts.

STEP 3: ATTACH GRAPHIC

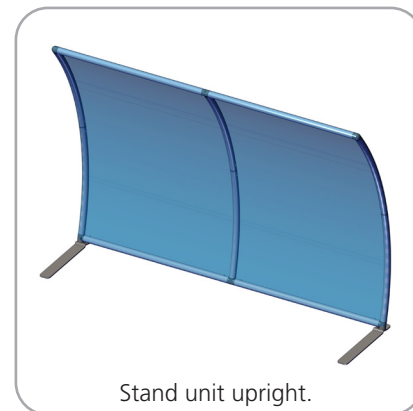


Slide graphic over top of frame.

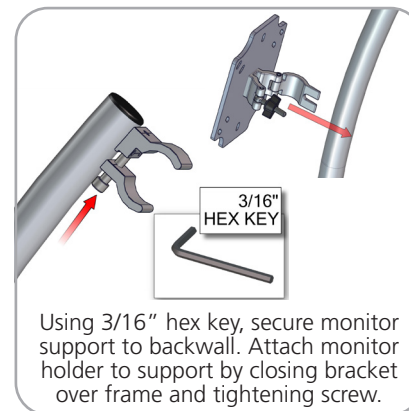


ZIPPER

Zip fabric graphic closed on bottom.



Stand unit upright.



3/16" HEX KEY

Using 3/16" hex key, secure monitor support to backwall. Attach monitor holder to support by closing bracket over frame and tightening screw.



Unit is ready for monitor attachment.