

Free Standing Split Monitor Kiosk

The Freestanding Monitor Kiosk supports large screen LCDs and plasma flat panel monitors for use in trade show exhibits, at events and in all types of interior spaces. Video is an excellent way to show your large scale products, solutions and explain your services face to face. This elegant, stand-alone display supports a TV with a maximum weight of 40 lbs.



features and benefits:

- Standard black aluminum post and base
 - Quick to set up
 - Weighted base for added stability
 - Supports large monitor 32-70"
 - Max TV weight = 40 lbs
 - Monitor not included
- Kit includes: Top pole, bottom pole, counter, base, monitor mount assembly
 - Lifetime hardware warranty against manufacturer defects

dimensions:

Hardware

Graphic

Assembled unit:
26.25" w x 75.25" h x 23.56" d
667mm(w) x 1912mm(h) x 599mm(d)

Refer to related graphic template for more information.

Approximate weight:
45 lbs / 21 kg

Visit:
www.exhibitors-handbook.com/graphic-templates

Shipping

additional information:

Packing case(s):
1 Box(es)

Shipping dimensions:
34" l x 28" h x 7" d
864mm(l) x 712mm(h) x 178mm(d)

When included in a larger kit, a different packaging solution will be listed to accommodate all contents of the kit. Individual packaging no longer provided.

Approximate total shipping weight:
50 lbs / 23 kg

We are continually improving and modifying our product range and reserve the right to vary the specifications without prior notice. All dimensions and weights quoted are approximate and we accept no responsibility for variance. E&OE. See Graphic Templates for graphic bleed specifications.

Included In Your Kit

Tools, Components, & Connectors



BASE x1



MONITOR MOUNT ASSEMBLY x1



TOP POLE x1

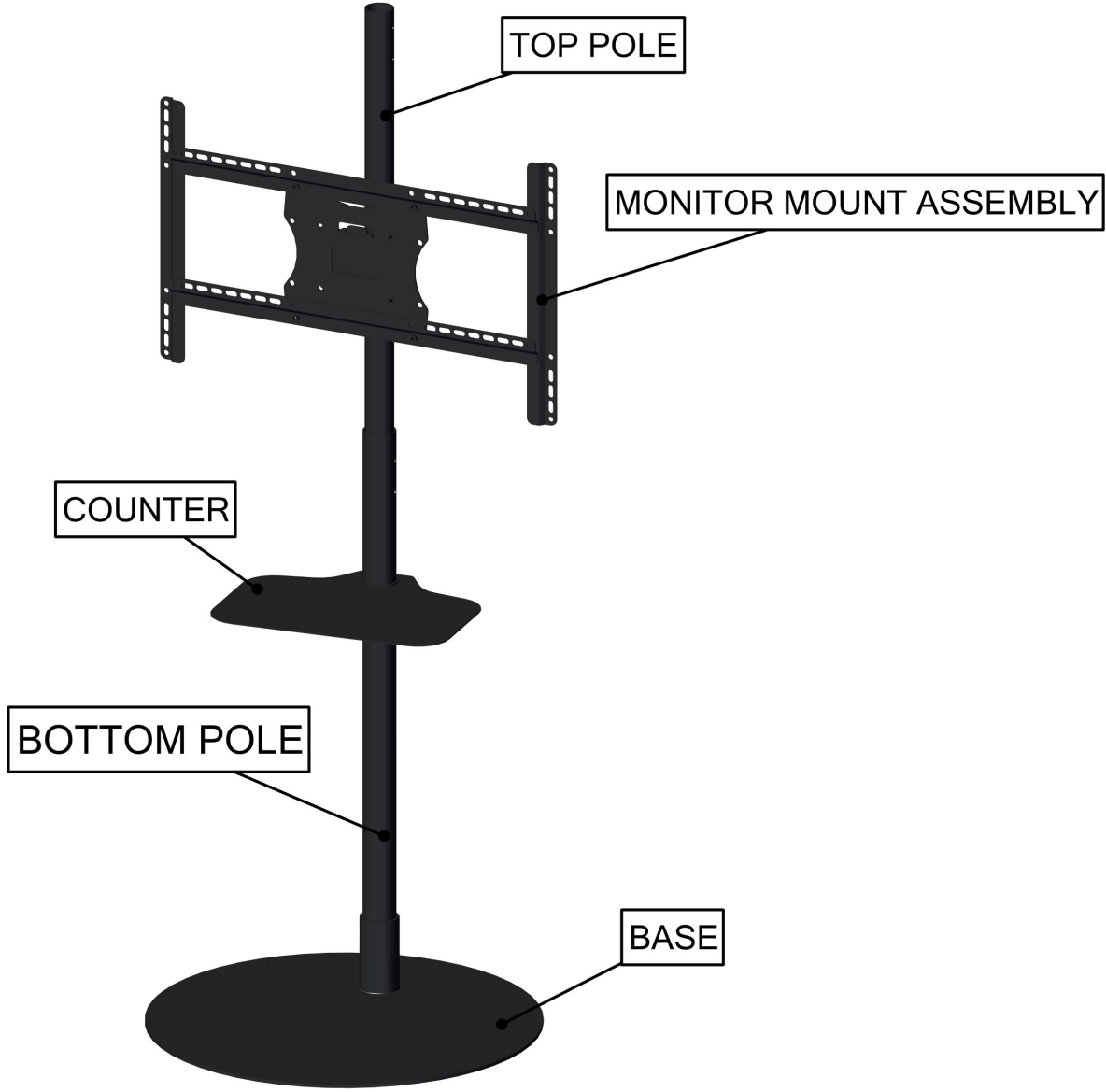


BOTTOM POLE x1



COUNTER x1

Exploded Diagram

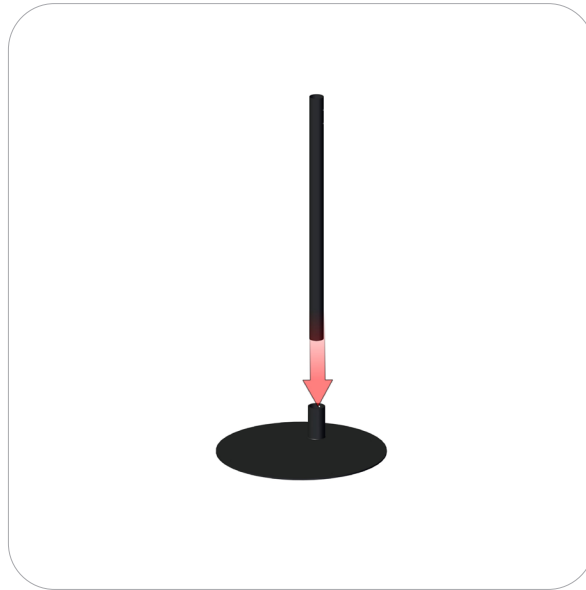


Kit Assembly

Step by Step

Step 1.

Gather the components to build the bottom section. Use the Exploded View for part labels.



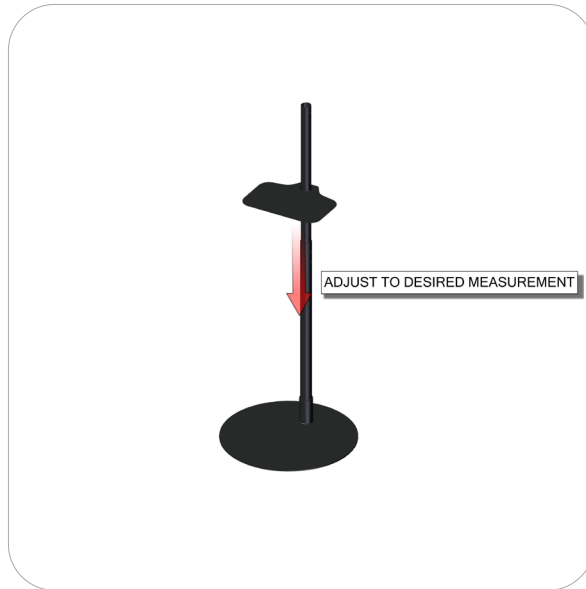
Step 2.

Gather the components to build the top section. Use the Exploded View for part labels.



Step 3.

Gather the components to install counter. Use the Exploded View for part labels.



Step 4.

Gather the components to attach monitor bracket. Use the Exploded View for part labels.

Reference Connection Method(s) 1 for more details.

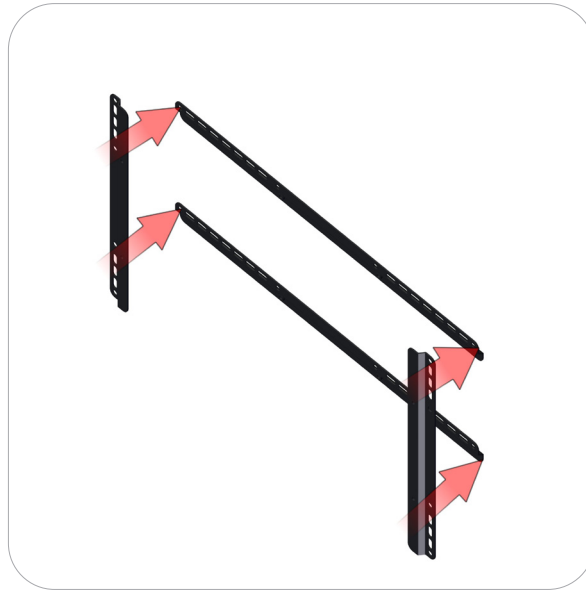


Kit Assembly

Step by Step

Step 5.

Gather the components to build the monitor supports. Use the Exploded View for part labels.



Step 6.

Gather the components to attach supports to the monitor. Use the Exploded View for part labels.



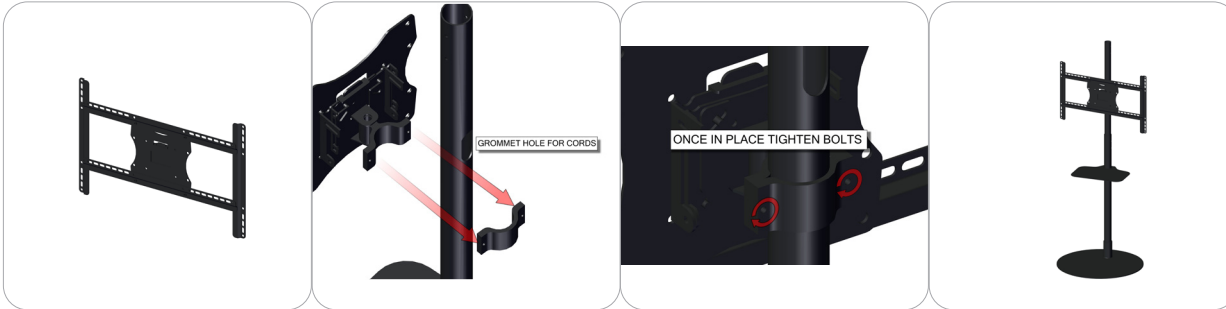
Step 7.

Setup is complete.



Connection Methods

Connection Method 1: ATTACH MOUNT TO STAND



First, attach bracket to stand using both hands to hold in place. Once front and back brackets are lined up, insert bolts. Tighten to ensure monitor mount does not move. Do not over tighten, may damage stand or hardware. Monitor should be attached last. Do not try to attach brackets with monitor attached. This may lead to damaging monitor or injury.
