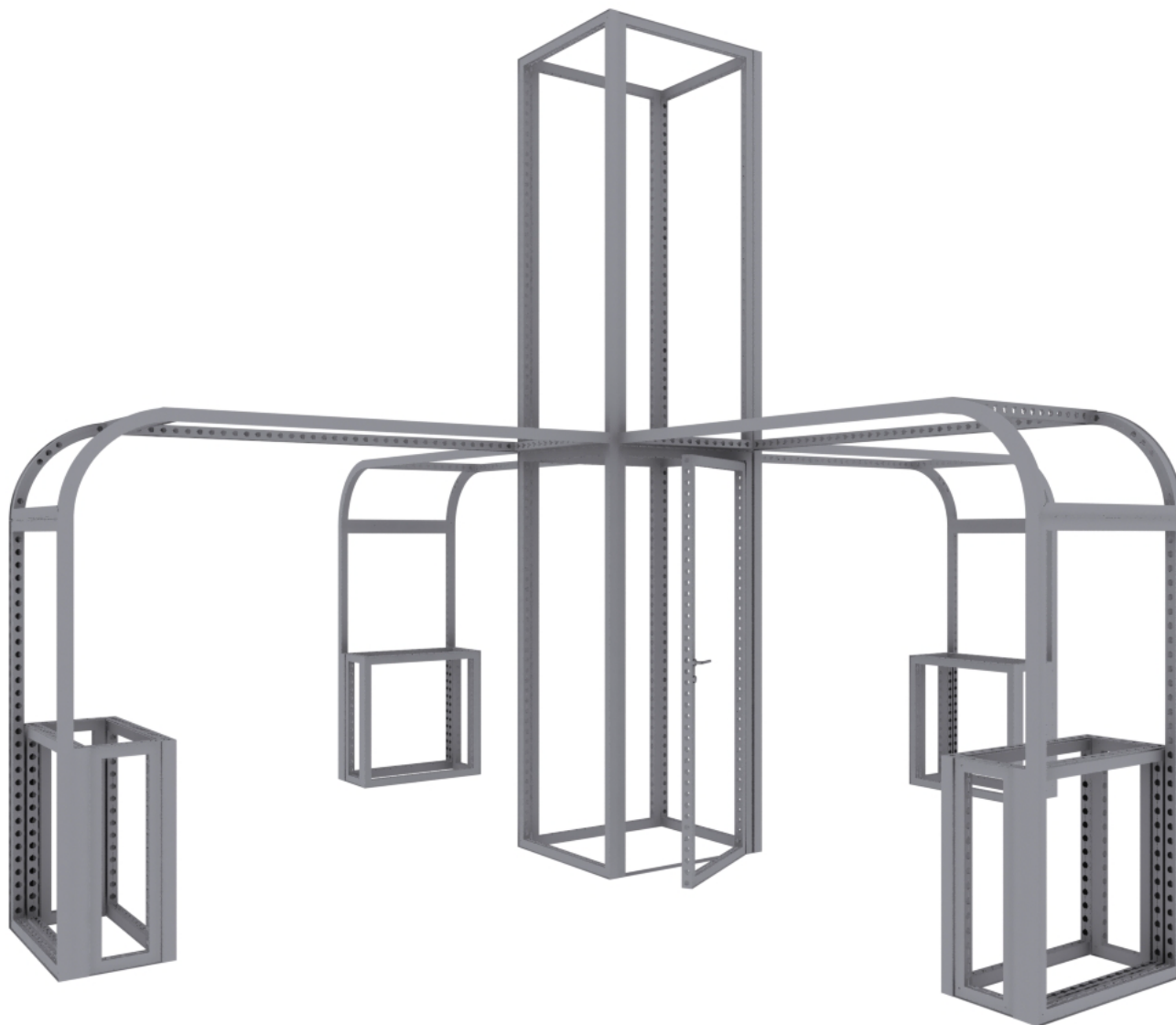
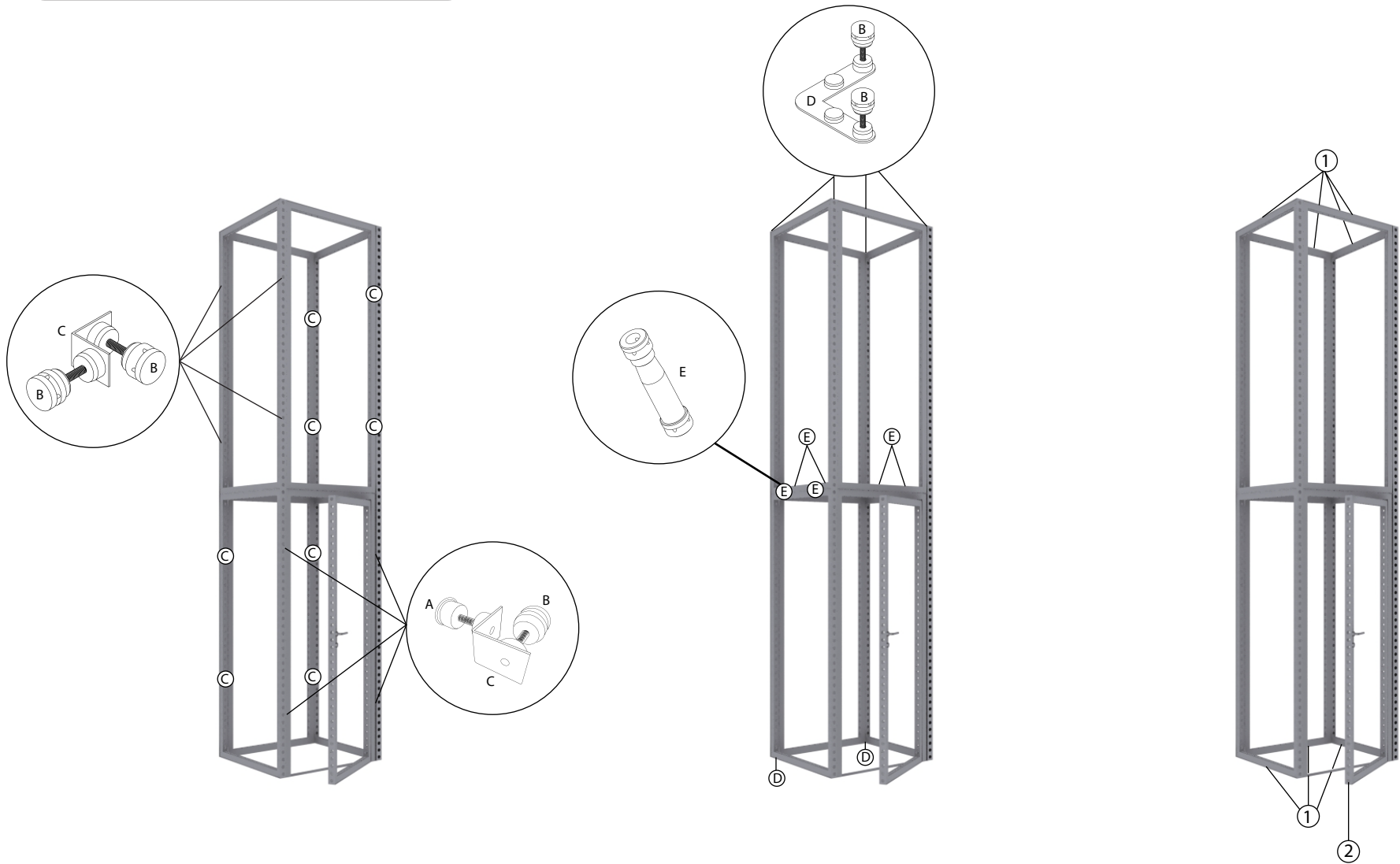


**MD-2020-1**



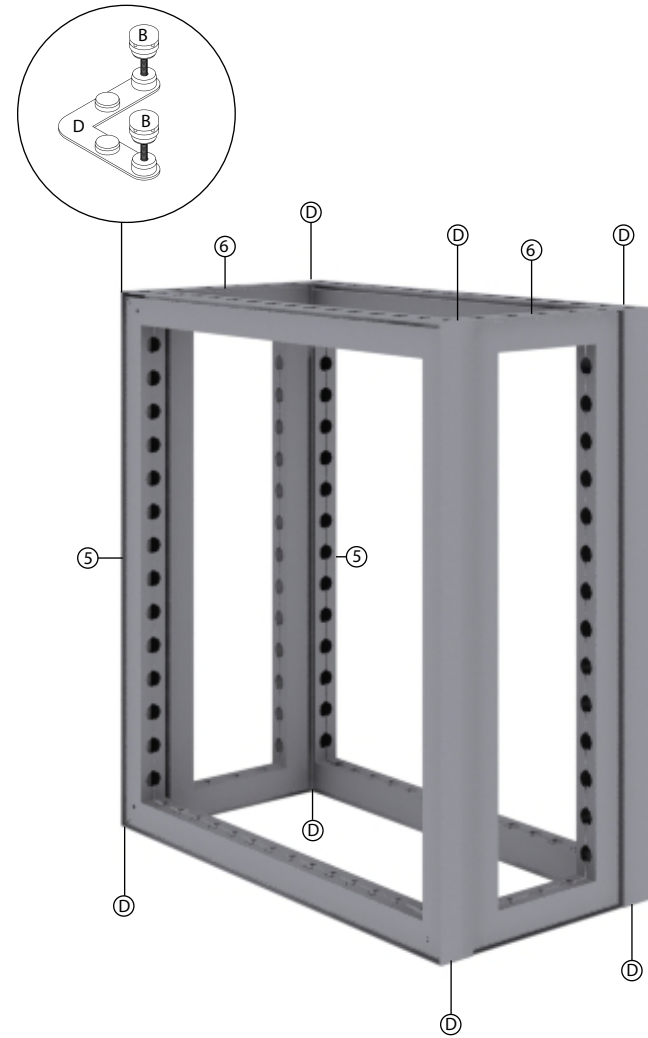
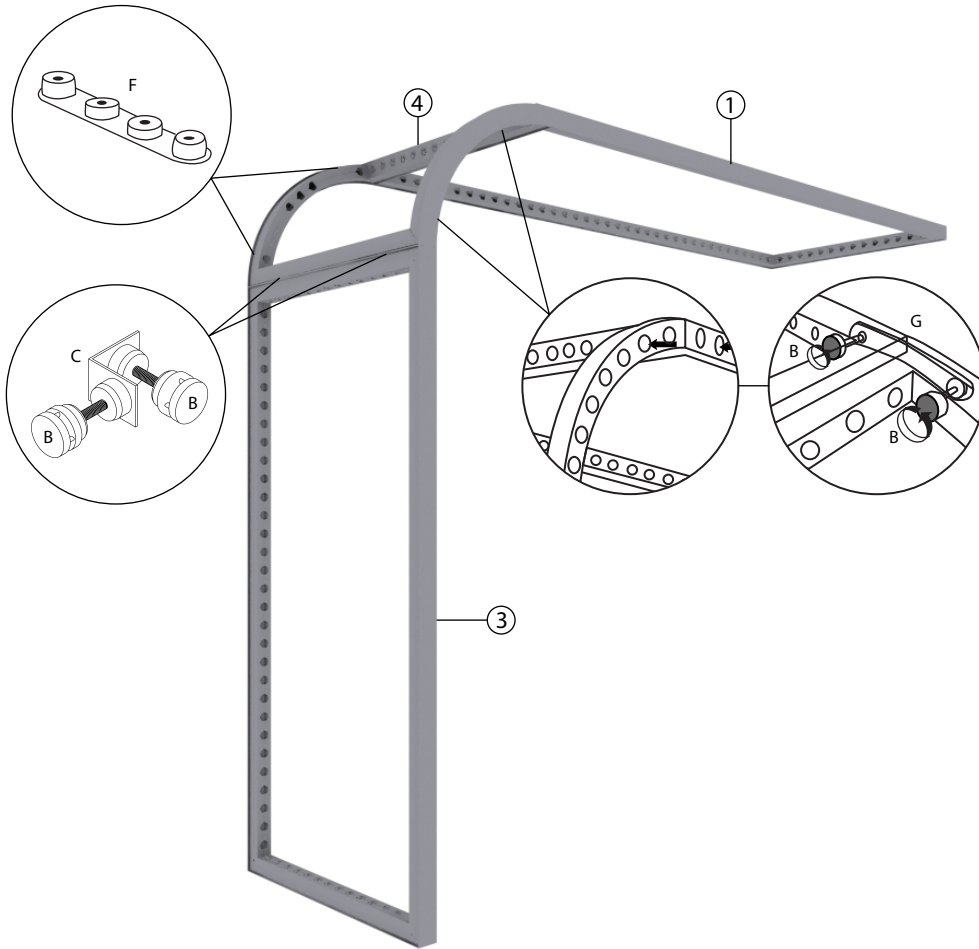
# MD-2020-1



## PARTS LIST (TOWER)

REF	QTY	PART NO.	DESCRIPTION
A	4	MOD-PCWP-A	Pin Connector for Door Jamb
B	44	MOD-PC	Pin Connector
1	7	MOD-FRM-992x2418	Straight Frame, Corner Screw Connect 992mm x 2418mm
2	1	MOD-DSWL-992x2418	Door Set w/ Lock 992mm x 2418mm
C	16	MOD-90D-CON	90°Connector
D	8	MOD-SM90D-CON	Small 90° Connector
E	8	MOD-CLA-CON	Clamp Connector

# MD-2020-1



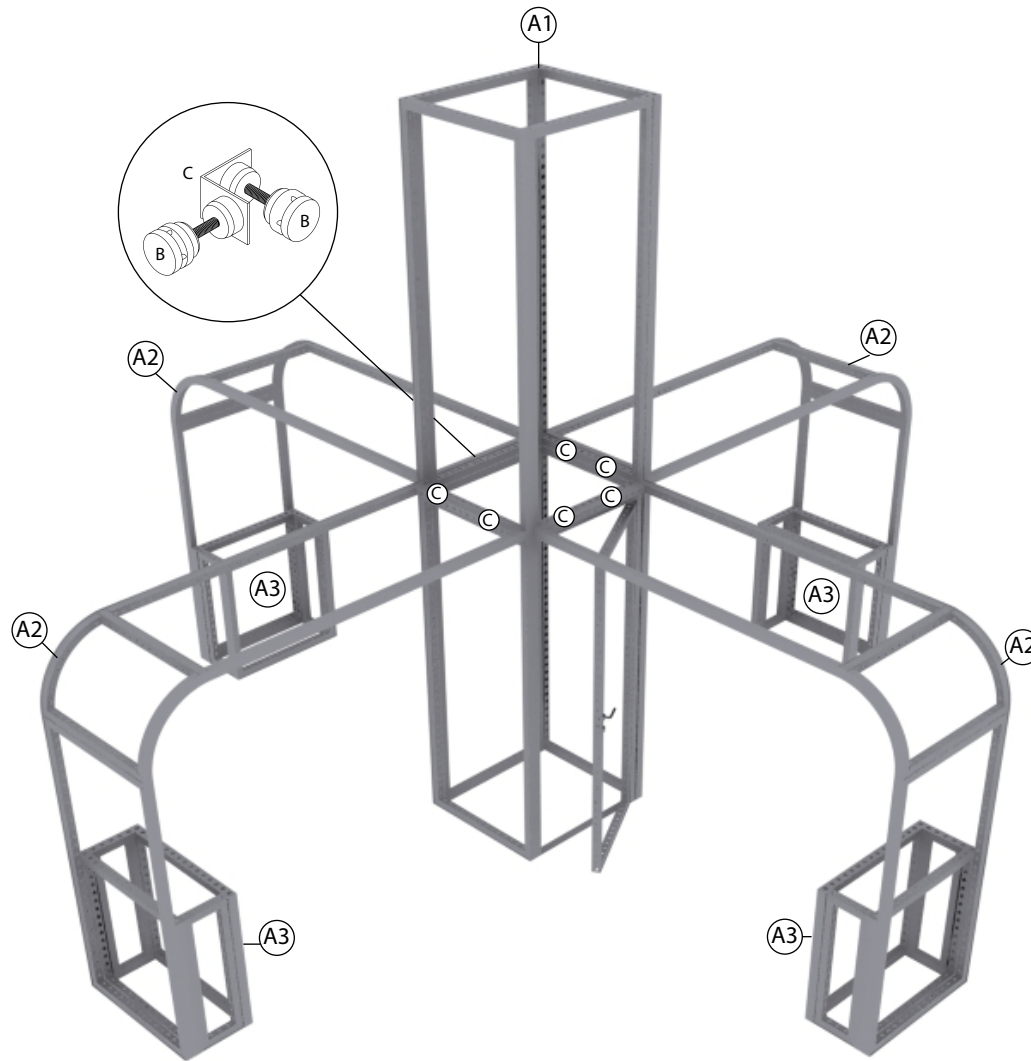
**PARTS LIST (ARCH / Qty.4 TOTAL)**

REF	QTY	PART NO.	DESCRIPTION
1	4	MOD-FRM-992x2418	Straight Frame, Corner Screw Connect 992mm x 2418mm
3	4	MOD-FRM-992x1984	Straight Frame, Corner Screw Connect 992mm x 1984mm
4	4	MOD-CRVFRM-774x992	1/4 Curved Frame, Welded 774mm x 992mm
B	64	MOD-PC	Pin Connector
C	16	MOD-90D-CON	90° Connector
F	8	MOD-CRV-180DCL	Curve 180 Degree Connector (Left)
G	8	MOD-CRV-180DCR	Curve 180 Degree Connector (Right)

**PARTS LIST (COUNTER / Qty.4 TOTAL)**

REF	QTY	PART NO.	DESCRIPTION
5	8	MOD-FRM-992x992	Straight Frame, Corner Screw Connect 992mm x 992mm
6	8	MOD-FRM-310x992	Straight Frame, Corner Screw Connect 310mm x 992mm
D	8	MOD-SM90D-CON	Small 90° Connector
B	16	MOD-PC	Pin Connector

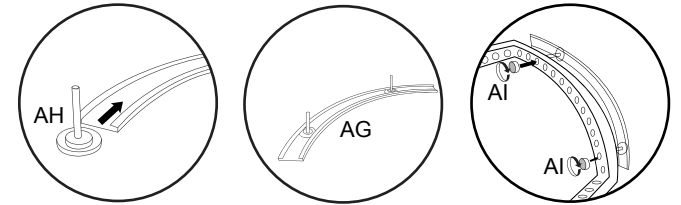
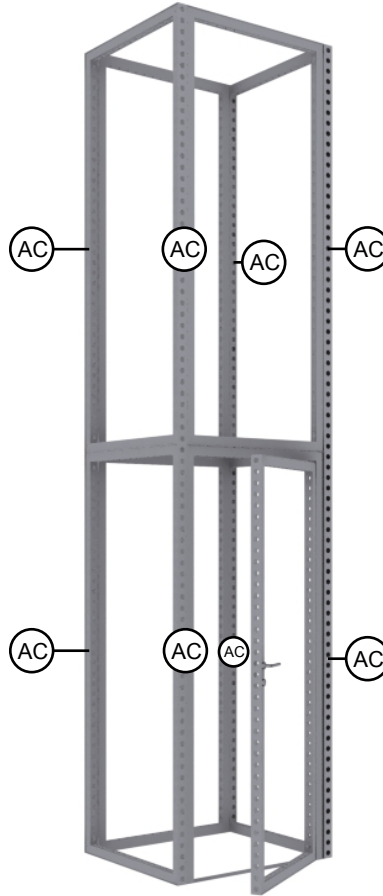
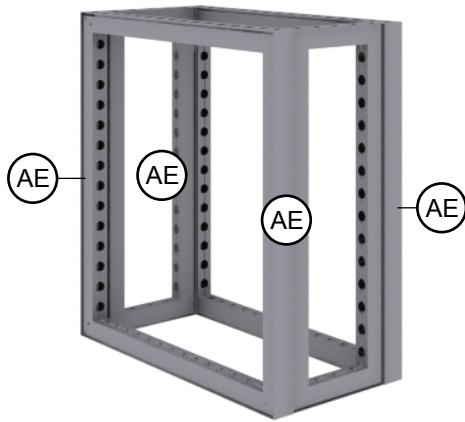
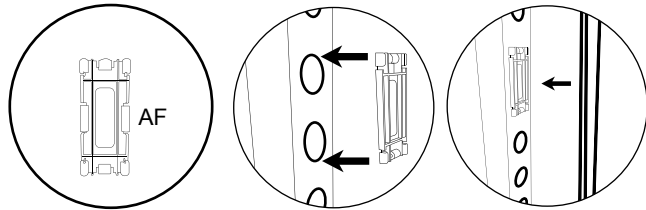
# MD-2020-1



## COMPLETE BUILD

REF	QTY	PART NO.	DESCRIPTION
A1	1	N/A	TOWER
A2	4	N/A	ARCH
A3	4	N/A	COUNTER (DOES NOT CONNECT TO ARCH)
C	8	MOD-90D-CON	90° Connector
B	16	MOD-PC	Pin Connector

# MD-2020-1



COVER PROFILES			
REF	QTY	PART NO.	DESCRIPTION
AC	8	MOD-CP-992x2418	Cover Profile for Frame 992x2418. Flat Model. Anodized
AF	36	MOD-CC	Clip Connector Cover Connects Cover Profile
AE	4	MOD-CP-3100 (39")	39" Cover Profile, Bar Per 3100mm Cover Profile. Flat Model. Anodized
AE	2	MOD-CP-3100 (78")	78" Cover Profile, Bar Per 3100mm Cover Profile. Flat Model. Anodized
AG	8	MOD-CP-774	Curved Cover profile 774mm(R1/4)
AH	16	MOD-PCWP-B	Pin connector(use with profile cover)
AI	16	MOD-SN-28MM	28mm screw nut