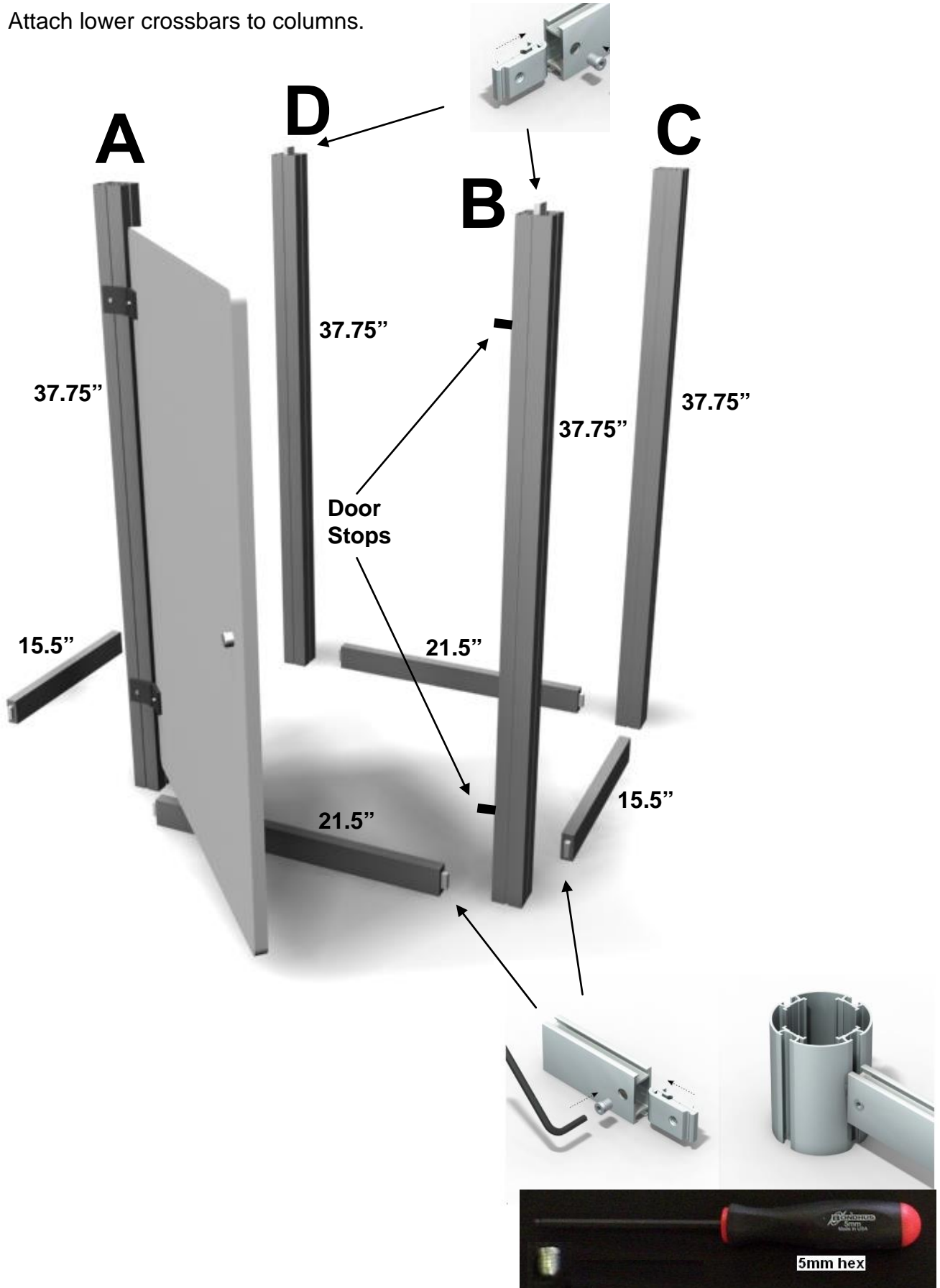
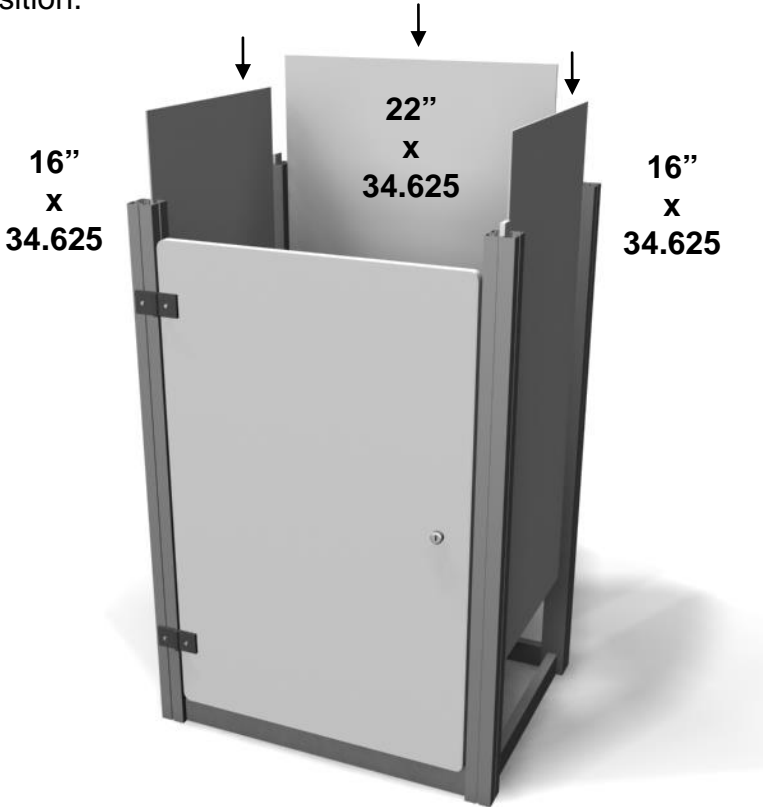


LGC-XVC4-C

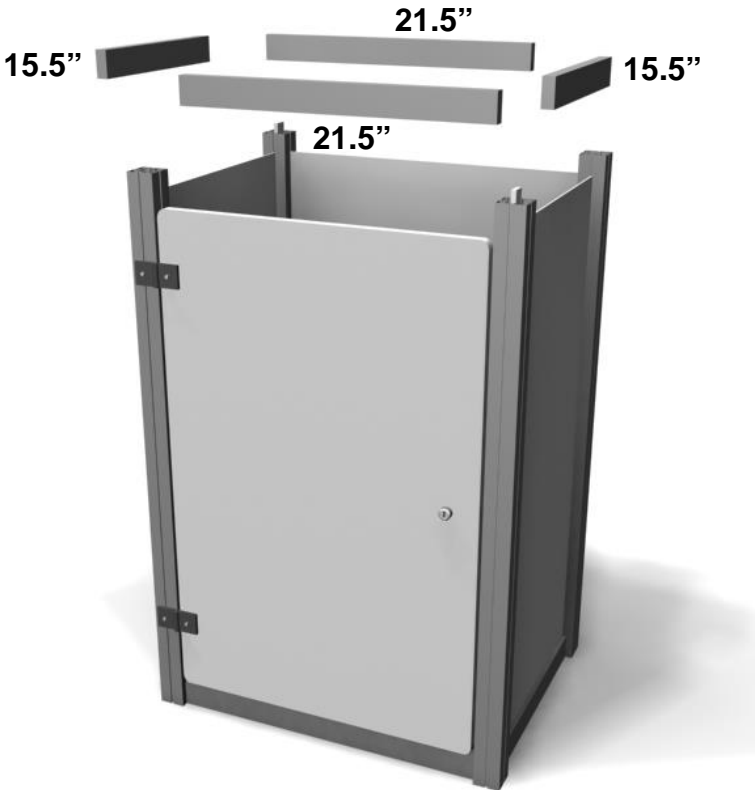
Step 1: Attach lower crossbars to columns.



Step 2. Slide panels into position.



Step 3. Attach upper crossbars.



Step 4. Attach counter top to columns.

