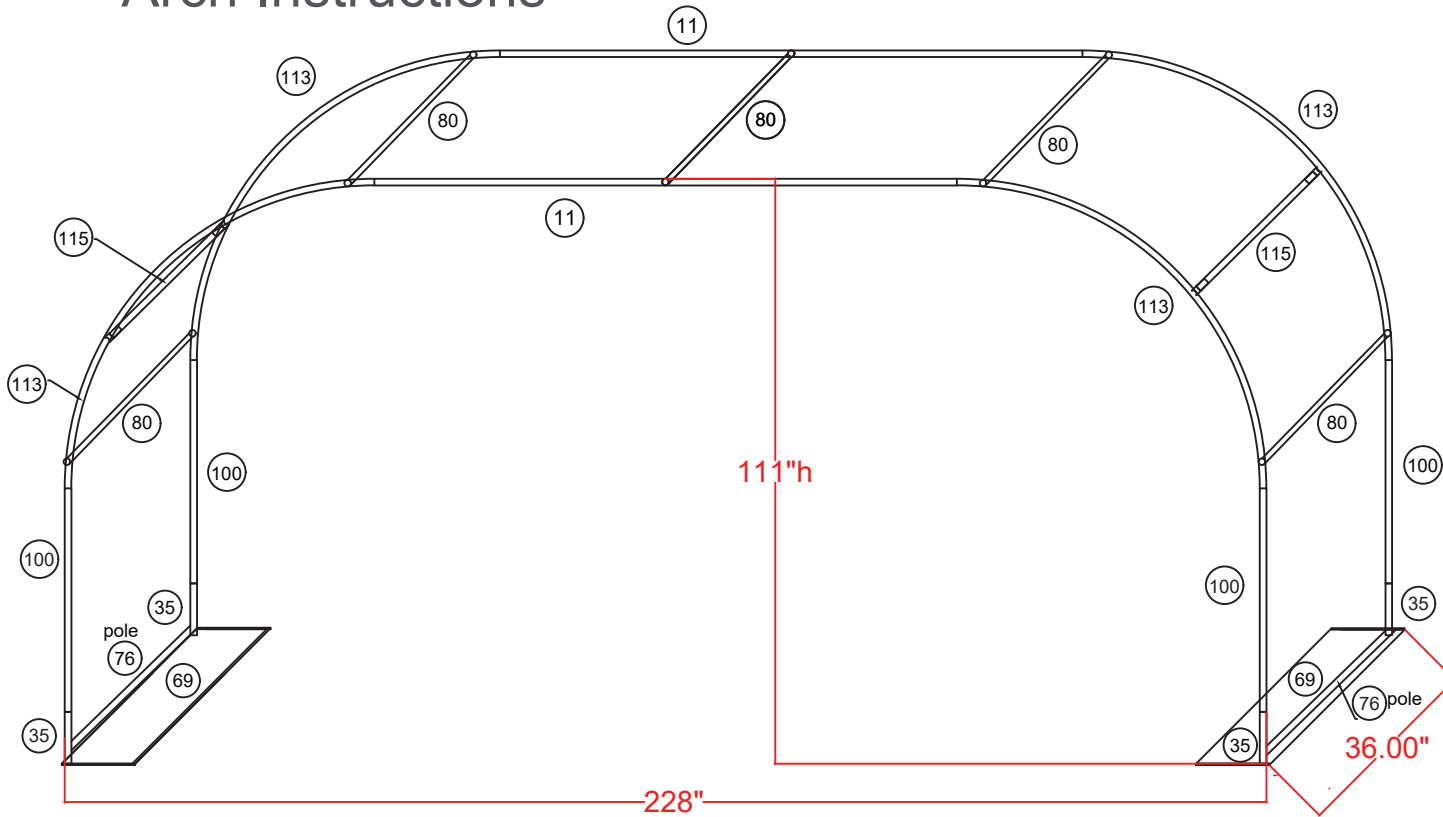


# Arch Instructions



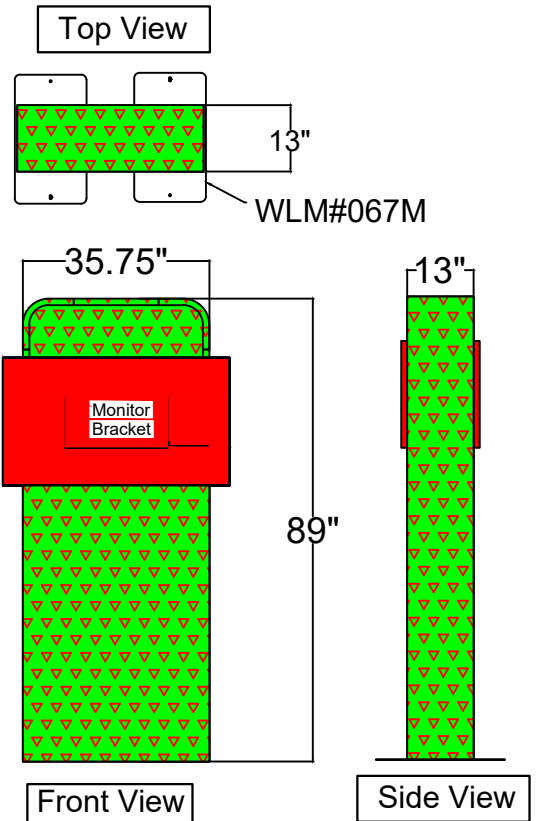
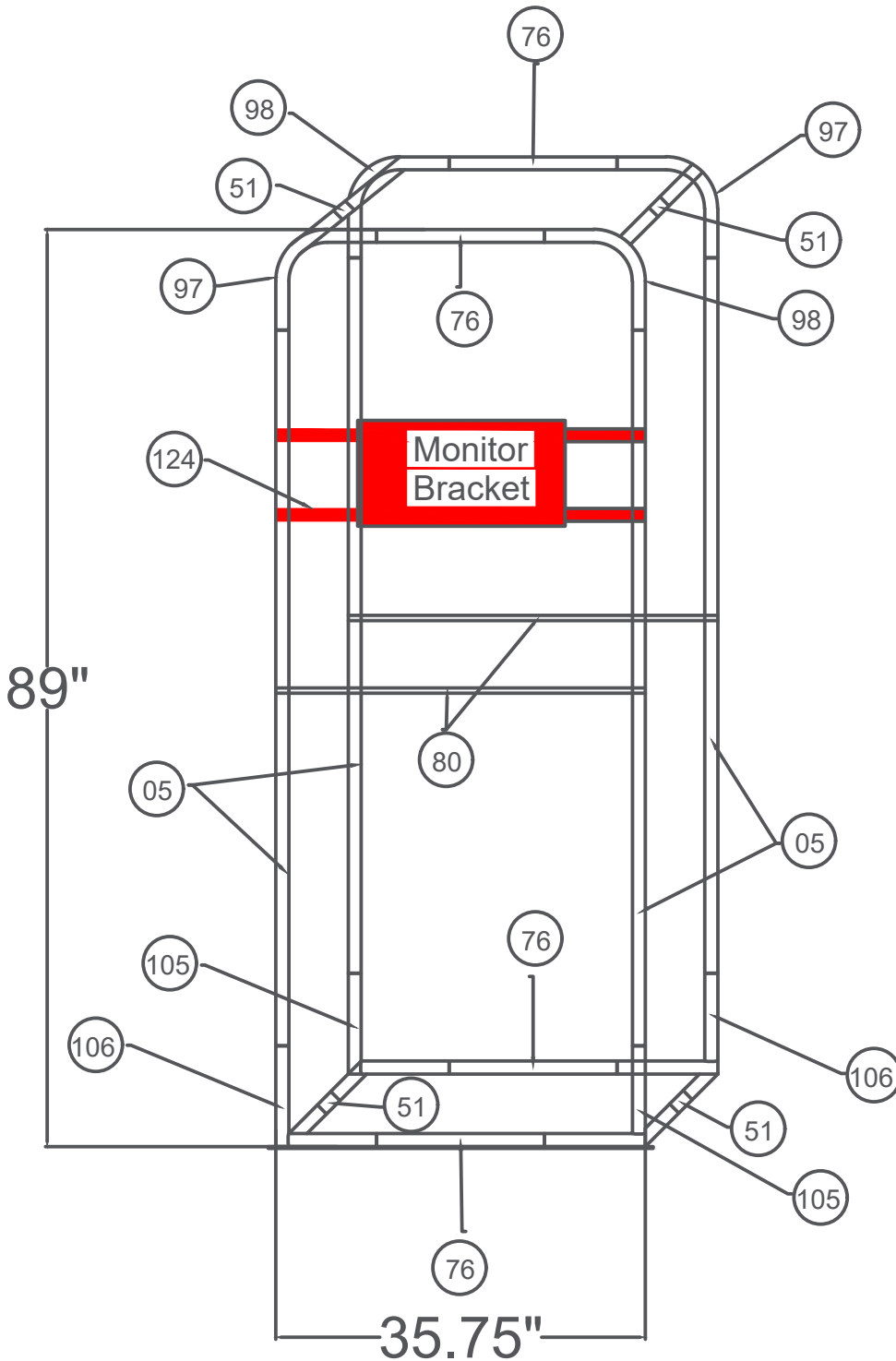
- Assemble both outer rings
- Install base poles
- Install all horizontal poles
- Pull graphics from one end to the other slowly, making sure to evenly covering frame

| 36"d x 228"w x 111"h Curved Arch Display |                   |
|--|-------------------|
| Qty.                                     | Part Number       |
| 4  | WLM#35            |
| 4  | WLM#113           |
| 2  | WLM#76            |
| 4  | WLM#100           |
| 2  | WLM#11            |
| 5  | WLM#80            |
| 2  | WLM#69 base plate |
| 4  | WLM#75            |
| 1  | BGO-FabricXL bag  |
| 2  | WLM#115           |

Fits inside qty.1 CA900

# TOWER MONITOR STAND

## 36"W x 89"H - Round Corners



| Monitor Stand |              |
|---------------|--------------|
| Qty.          | Part Number  |
| 4             | WLM#005      |
| 4             | WLM#076      |
| 2             | WLM#097      |
| 2             | WLM#098      |
| 4             | WLM#051      |
| 1             | BGO-FABRIC-L |
| 2             | WLM#105      |
| 2             | WLM#106      |
| 2             | WLM#067-M    |
| 1             | wlm#124      |
| 4             | WLM#075      |

\*\*monitor not included

\* accomodates up to qty.2 monitors

\* supports up to 50" monitor

DO NOT EXCEED 50 LBS per monitor

# Rectangular Case to Counter Setup Instructions



1. Hardcase with wheels and handle



2. Release fasteners



3. Get all parts out



4. Screw the poles into the case



5. Secure all 4 poles



6. Cover the black skirt or graphic on the bottom



7. Connect the top and poles



8. Place top on poles



9. Pull the black skirt or graphic up



10. Place countertop on display

**\*\*\* Please Note: Fastening the poles into the base incorrectly may result in damage to the unit**



1.



2.



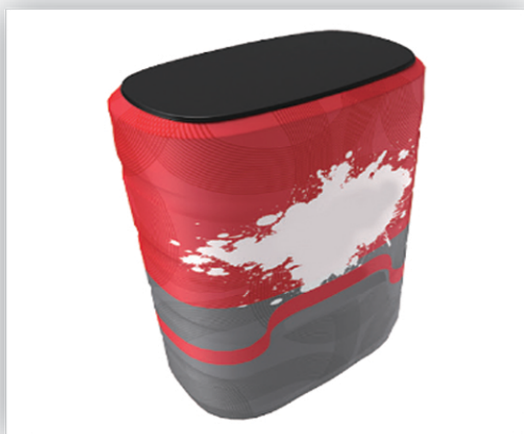
3.



4.



5.



6.