

8

7

6

5

4

3

2

1

D

D

C

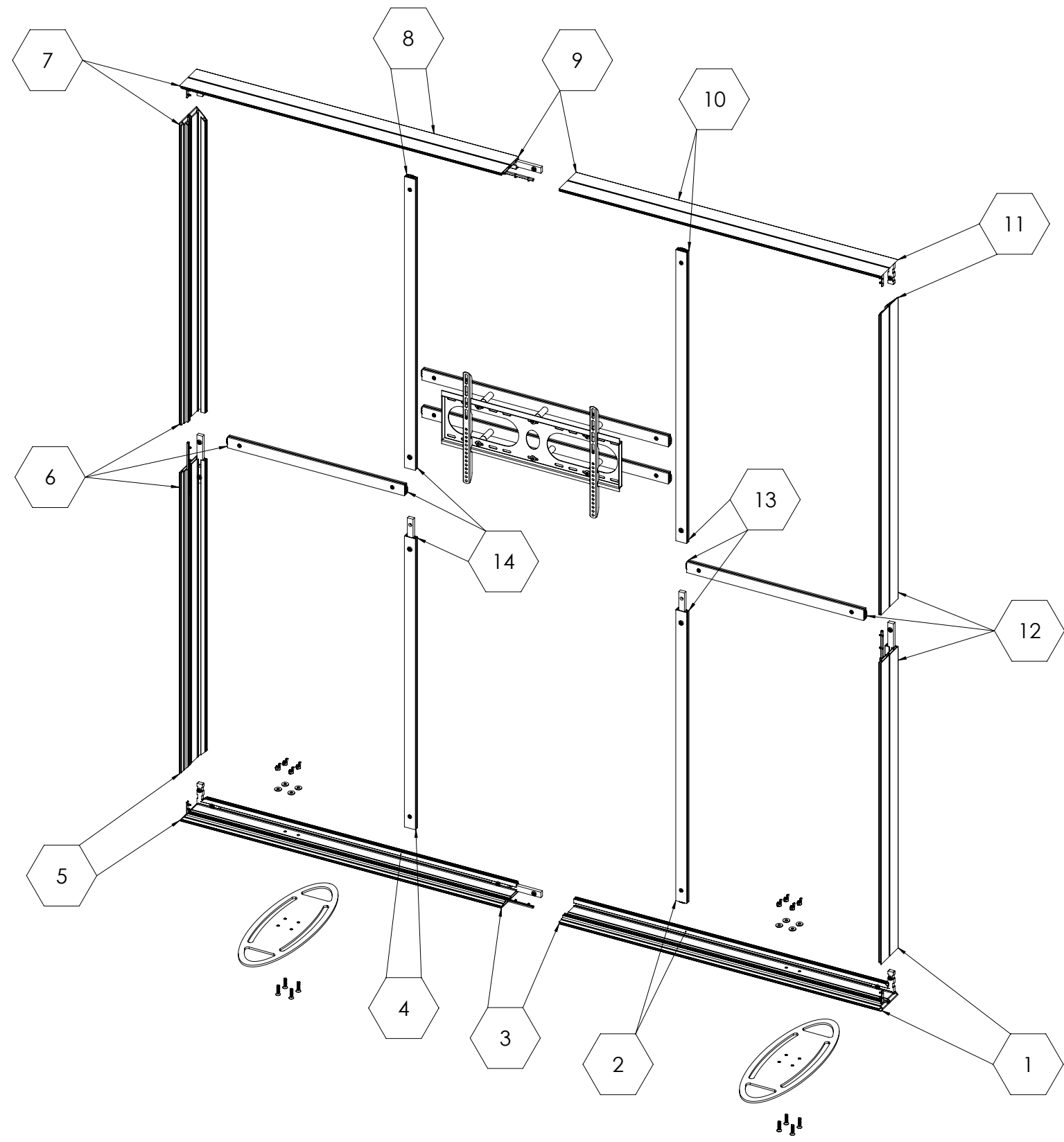
C

B

B

A

A



**PLEASE REFER TO PAGE 18 OF  
MANUAL FOR SEG INSTRUCTIONS**

**NOTES: UNLESS OTHERWISE SPECIFIED**  
 1. **NUMBERED HEX-BALLOONS WILL BE THE  
SAME AS THE NUMBERED LABELS ON  
EACH FRAME FOR ASSEMBLY.**

**CENTER FRAME  
ASSEMBLY**

**CENTER SINGLE-SIDED FRAME**

8

7

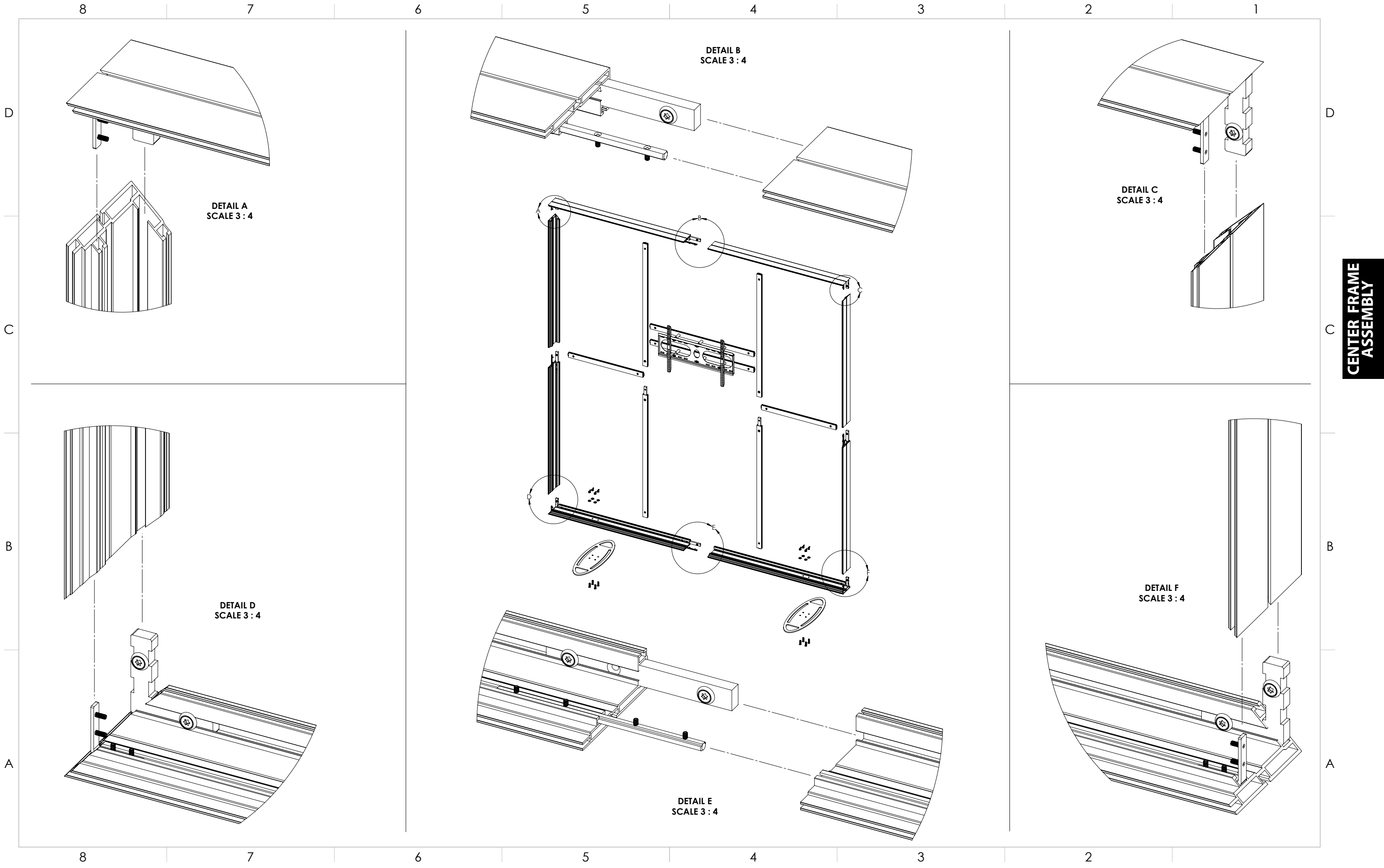
6

5

4

3

2



**CENTER FRAME ASSEMBLY**

8

7

6

5

4

3

2

1

D

C

B

A

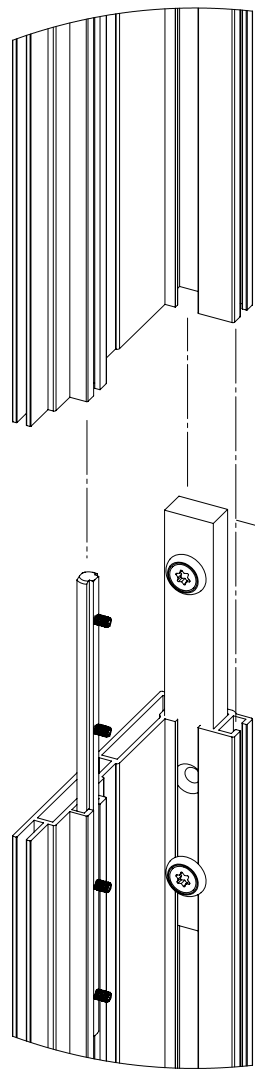
D

C

B

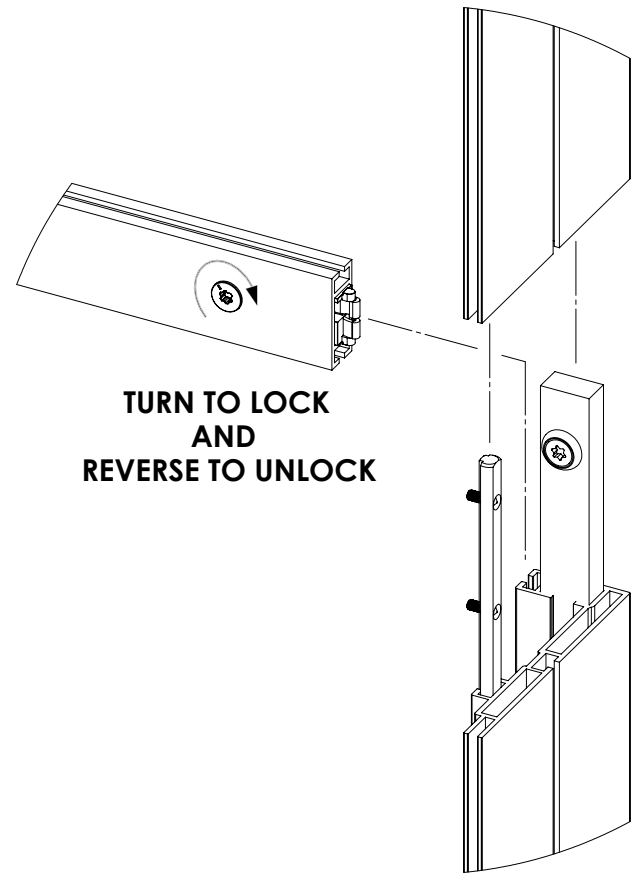
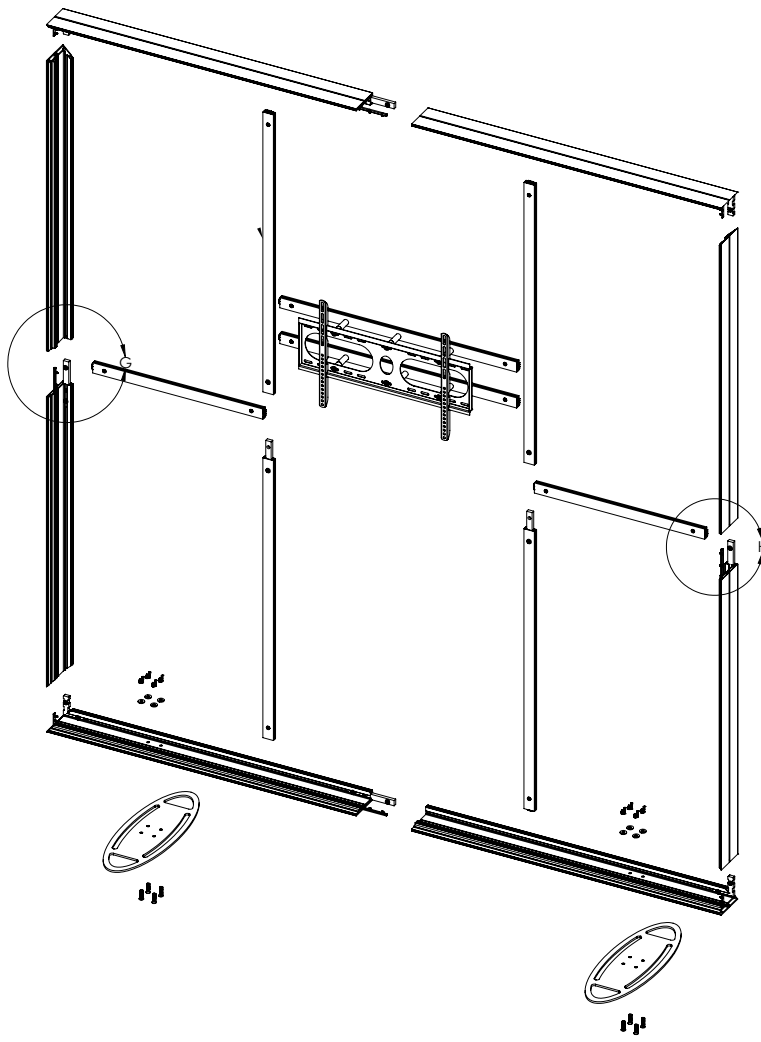
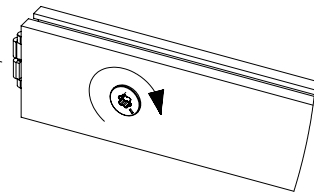
A

**CENTER FRAME ASSEMBLY**



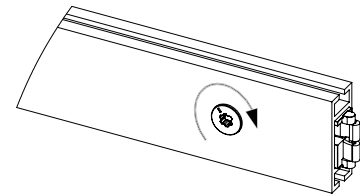
**DETAIL G**  
SCALE 3 : 4

**TURN TO LOCK  
AND  
REVERSE TO UNLOCK**



**DETAIL H**  
SCALE 3 : 4

**TURN TO LOCK  
AND  
REVERSE TO UNLOCK**



8

7

6

5

4

3

2

8

7

6

5

4

3

2

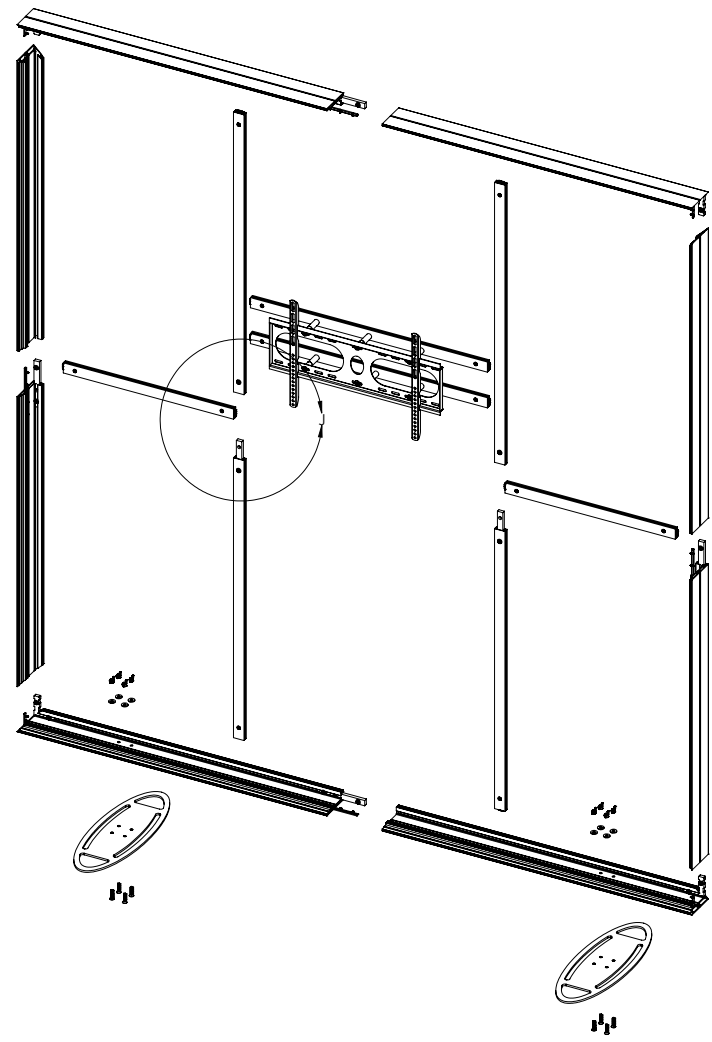
1

D

C

B

A



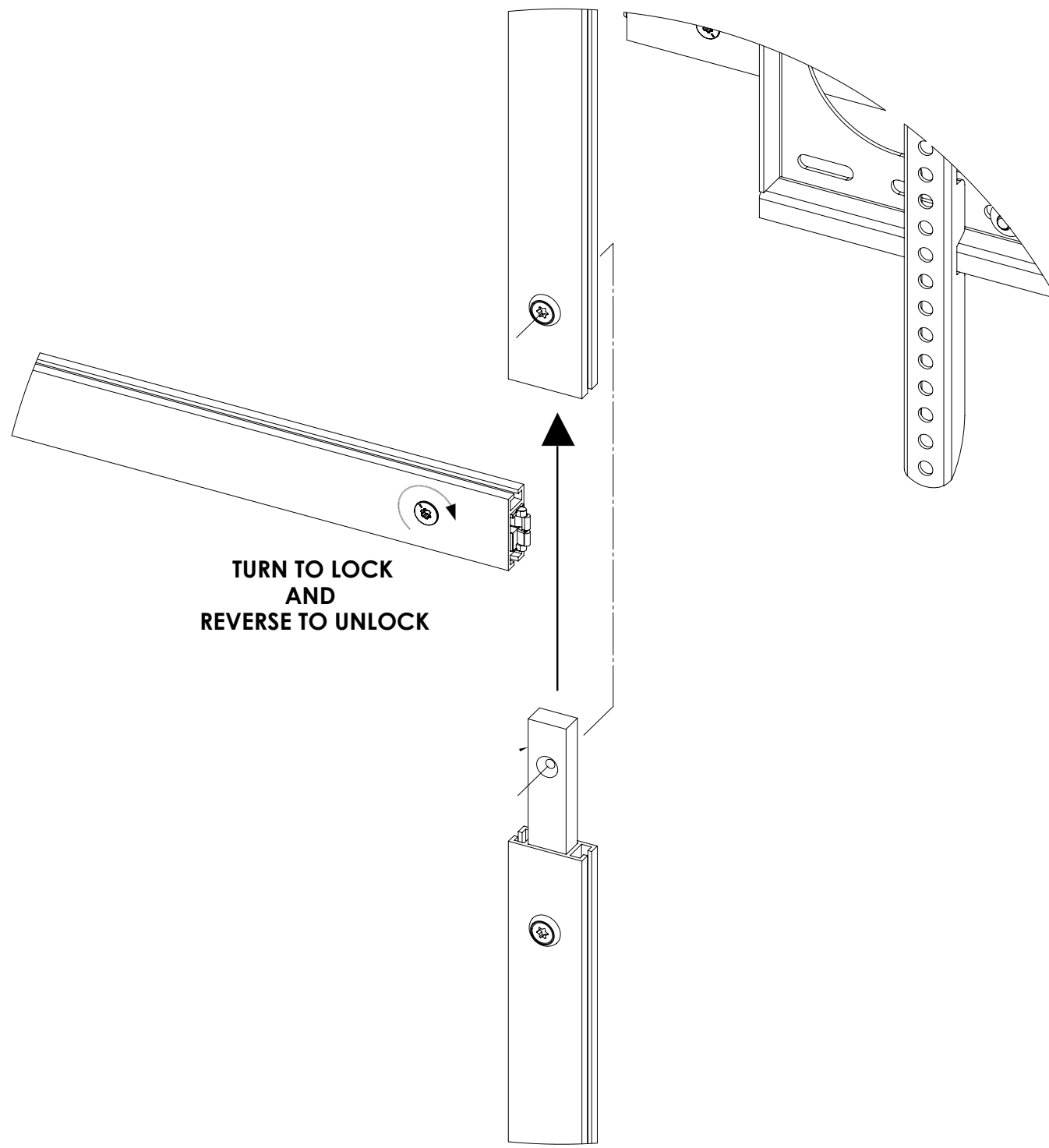
D

C

B

A

CENTER FRAME ASSEMBLY



TURN TO LOCK AND REVERSE TO UNLOCK

DETAIL J SCALE 3 : 4

8

7

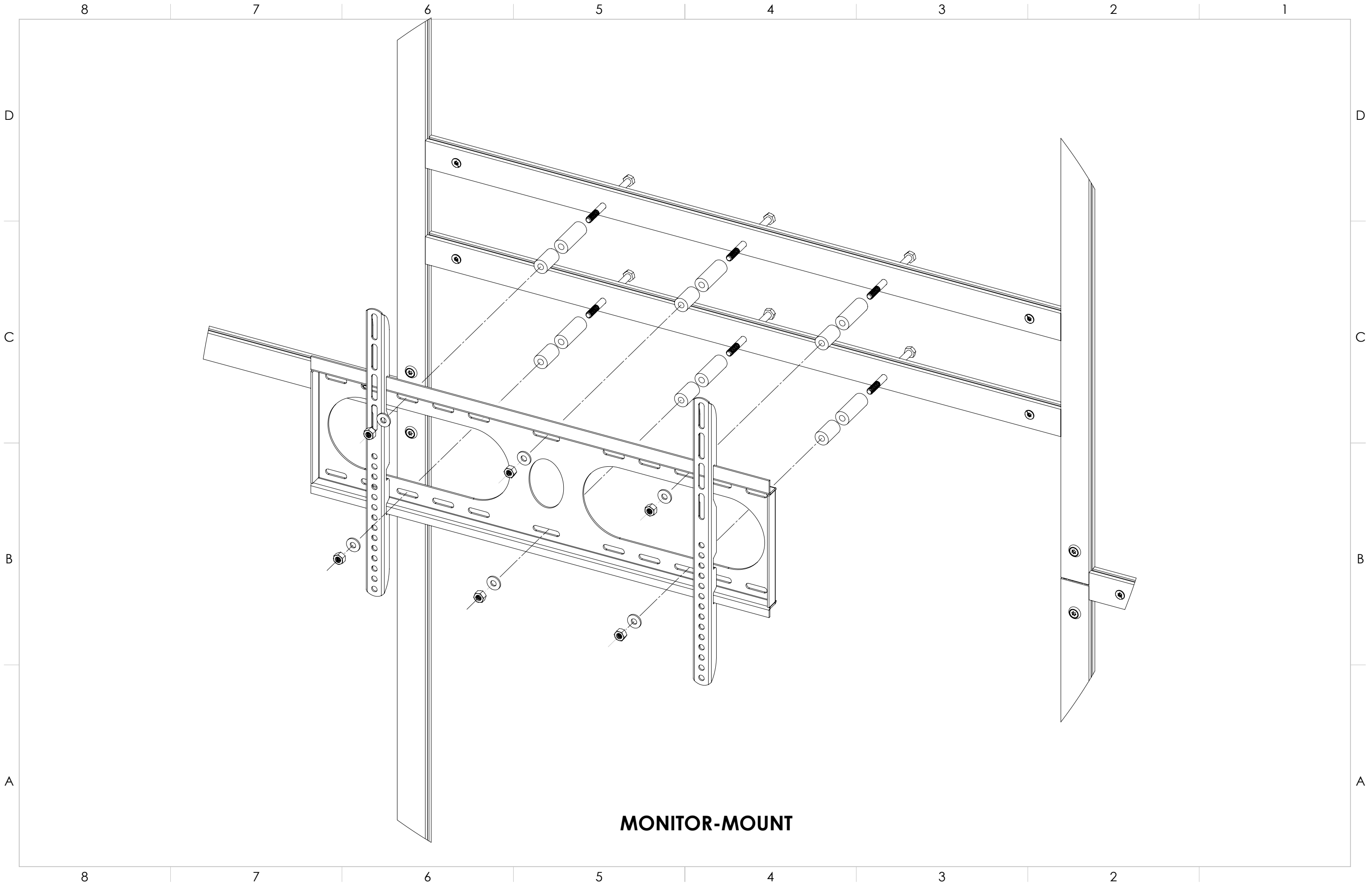
6

5

4

3

2



**MONITOR  
MOUNT**

**MONITOR-MOUNT**

# PACKING - UNPACKING

## Silicone Edge Graphics (SEG)

### Installation Instructions into hardware

#### What are Silicone Edge Graphics (SEG)?

SEG are dye-sublimation fabric graphics with silicone strips sewn along the underside of the fabrics edge. SEG frames have grooves along their perimeter designed to snugly hold the silicone strips so the fabric can be stretched across the frame for a drum-tight fit.



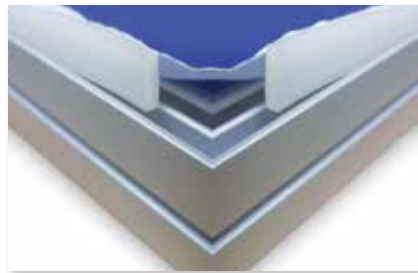
We recommend laying the frame on the floor, then draping the fabric graphic on top.

The following procedure ensures the silicone edge will be placed evenly over the entire frame and NOT STRETCH or GROW at the corners. Once all the edges have been secured, you should have a taut fit with a smooth flat finish.

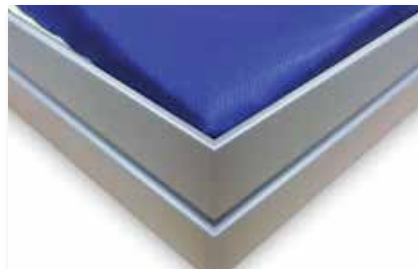
#### 1: With Clean Hands,

Press SEG silicone edge first, into the corners of the frame.

##### INCORRECT WAY



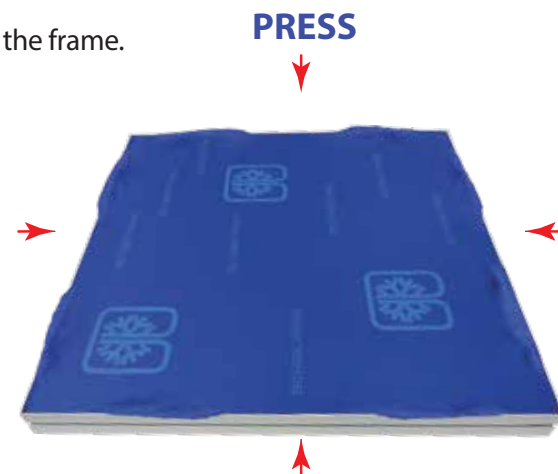
##### CORRECT WAY



#### 2: Working in Centers.

Go back and press the silicone edge into the center - on each side of the frame.

EXAMPLE: A 20"x20" fabric/frame would be pressed in 8 locations.



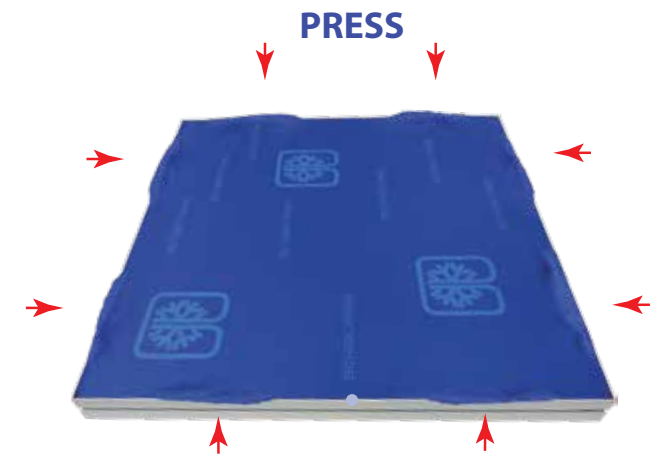
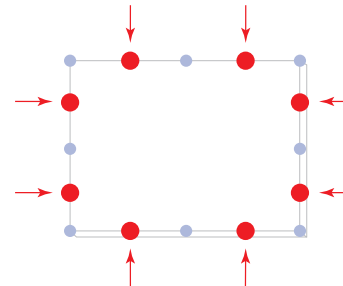
Cont'd.

#### 3: Working in Centers again,

Go back and press the silicone edge once again on each side previous center, on all 4 sides.

Repeat this process, (WORKING IN CENTERS) until the SEG fabric's edge is pressed approximately every 6 inches apart.

EXAMPLE: A 8' x 8' frame (using this procedure) will have been pressed/tucked 15 times (not including corners) on each side of the frame.



#### 4: After all has been pressed into your frame using

this procedure, lightly tap your forefinger to smooth fabric between the tucks.



#### CARE INSTRUCTIONS

Due to the fine quality, smoothness and weave of the fabric, great care must be taken to extend the life of your SEG fabric graphics.

We recommend very loosely folding your graphic, making sure there are no hard creases or folds or that the fabric doesn't catch on sharp objects.

Store in a clean bag.

A plastic bag or pillow case is ideal.

Graphics can also be spot cleaned with a damp cloth.

To wash entire graphic, use a commercial size front loading washing machine on gentle cycle with cool water. Do NOT dry clean.

You can also gently iron the back side using the Polyester setting of your iron.



SEG  
ASSEMBLY

# PACKING - UNPACKING

## RETAIN ALL PACKING MATERIAL

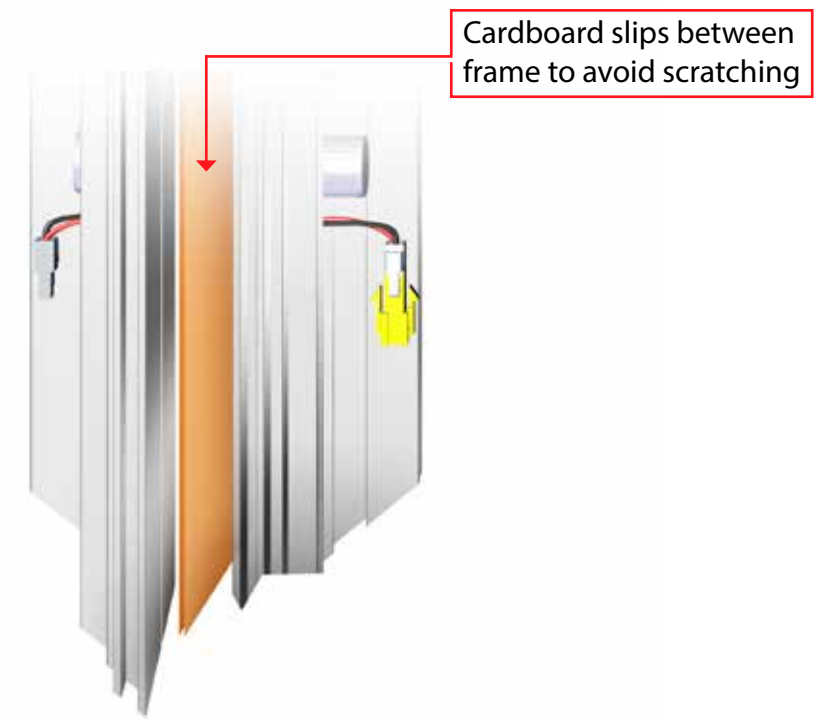
will make re-packing easier and reduce the likelihood of shipping damage.

## TIGHTEN ALL SET SCREWS AND LOCKS

when disassembling aluminum extrusions, to prevent loss during shipping.



**CAUTION NOT TO CATCH OR PULL LED SOLDER WIRING**



## CLEANING / CARE INSTRUCTIONS

Use care when cleaning aluminum extrusion.  
Use only non-abrasive cleaners.

When cleaning laminate, metal fusion or counter tops  
use mild cleansers and a soft material such as cotton.

Keep all display components away from extreme heat and  
long exposure to sunlight to avoid warping and fading.

**STEP 1**



Position straps.

**STEP 2**



Feed strap thru strap buckle.

**STEP 3**



Pull strap thru till snug.

**STEP 4**



Pull strap up parallel to case

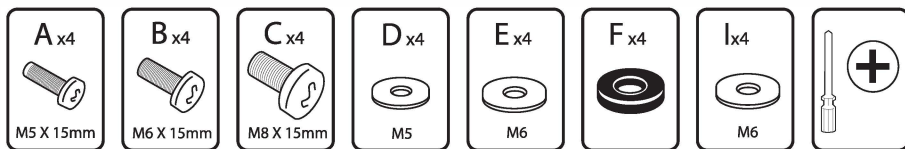
**STEP 5**



Strap down and fasten to velcro

# Monitor Mount for 30-50 LCD

Each Kit includes: 1 monitor mount w/ bars attached, 12 screws & 16 washers

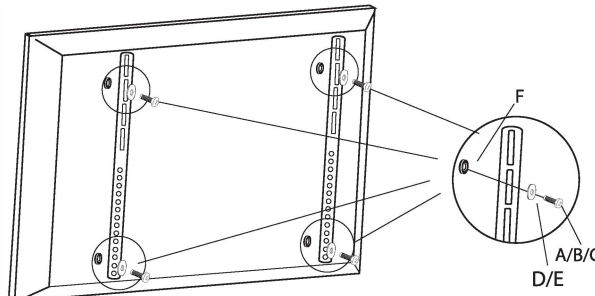


**Safety Warning:** Be careful to make sure there are no missing or defective parts. Never use defective parts. Improper installation may cause damage or serious injury.

**STEP 1**

## Installing bars to your LCD monitor

- 1) To ensure optimal installation, this kit includes various screws of different diameters and lengths.
- 2) Place your TV screen down on a soft, flat surface and locate the threaded mounting points that are located on the back of the display.
- 3) Determine which screw (A/B/C) is of the correct length by carefully inserting a straw or toothpick and mark how deep the mounting point is.
- 4) If your display has a curved back or a recessed thread mounting point, a spacer (F) must be used.
- 5) Place the spacer (F) between the mounting bracket and display.
- 6) According to the size of the display's hole, choose the corresponding screw and hole on the rectangle washer, then thread them in line.



**Notice:**

First, if the TV back is accurate you will need to use (F), if it's flat that is unnecessary. Second, the choice of screw (A/B/C) should be according to the size and depth of the install aperture in the back of the TV.

**STEP 2**

## Installing monitor mount to display

Once the graphic has been installed into the frame, pull out the desired area where the monitor mount will be installed. Insert the support bars into the grooves of the display post and lock using the tool (when complete is should look like the photo below).



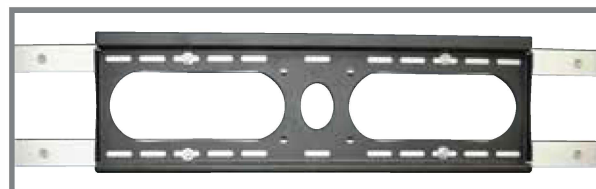
**STEP 3**

## Installing monitor to monitor mount

Mount the monitor by carefully lining up the bracket bars on the back of the monitor onto the horizontal bars just installed on the frame. The monitor is attached correctly when you hear it click. To remove the monitor, pull down strings to release grip.



side view





8

7

6

5

4

3

2

1

D

D

C

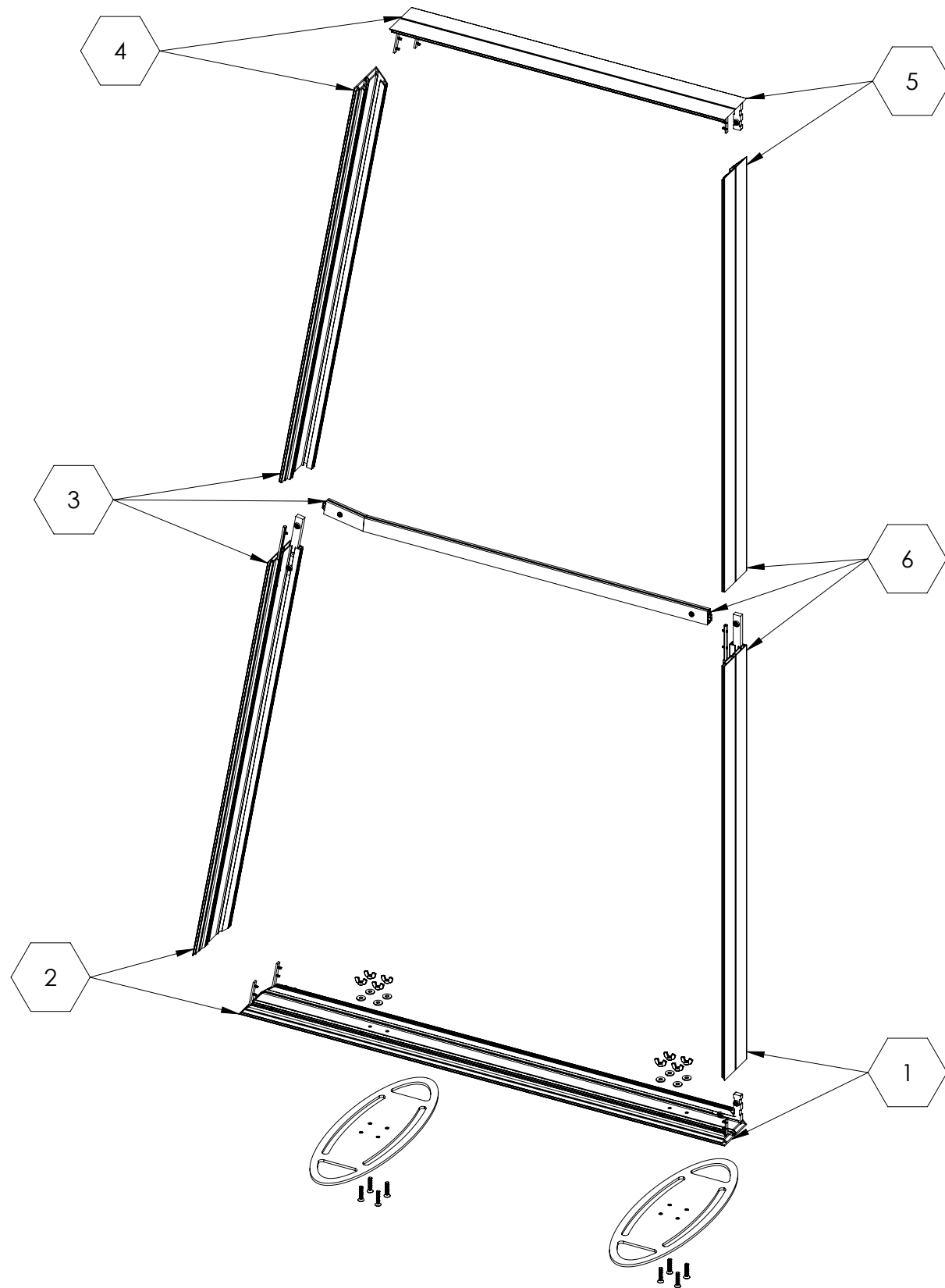
C

B

B

A

A



**PLEASE REFER TO PAGE 18 OF  
MANUAL FOR SEG INSTRUCTIONS**

**NOTES: UNLESS OTHERWISE SPECIFIED**

**1. NUMBERED HEX-BALLOONS WILL BE THE  
SAME AS THE NUMBERED LABELS ON EACH  
FRAME FOR ASSEMBLY.**

**SMALL FRAME  
ASSEMBLY**

**FRAME LABEL IDENTIFIER**

**ANGLE LEFT-SIDE 54.60in WIDE x 96in H. SINGLE-SIDED FRAME**

8

7

6

5

4

3

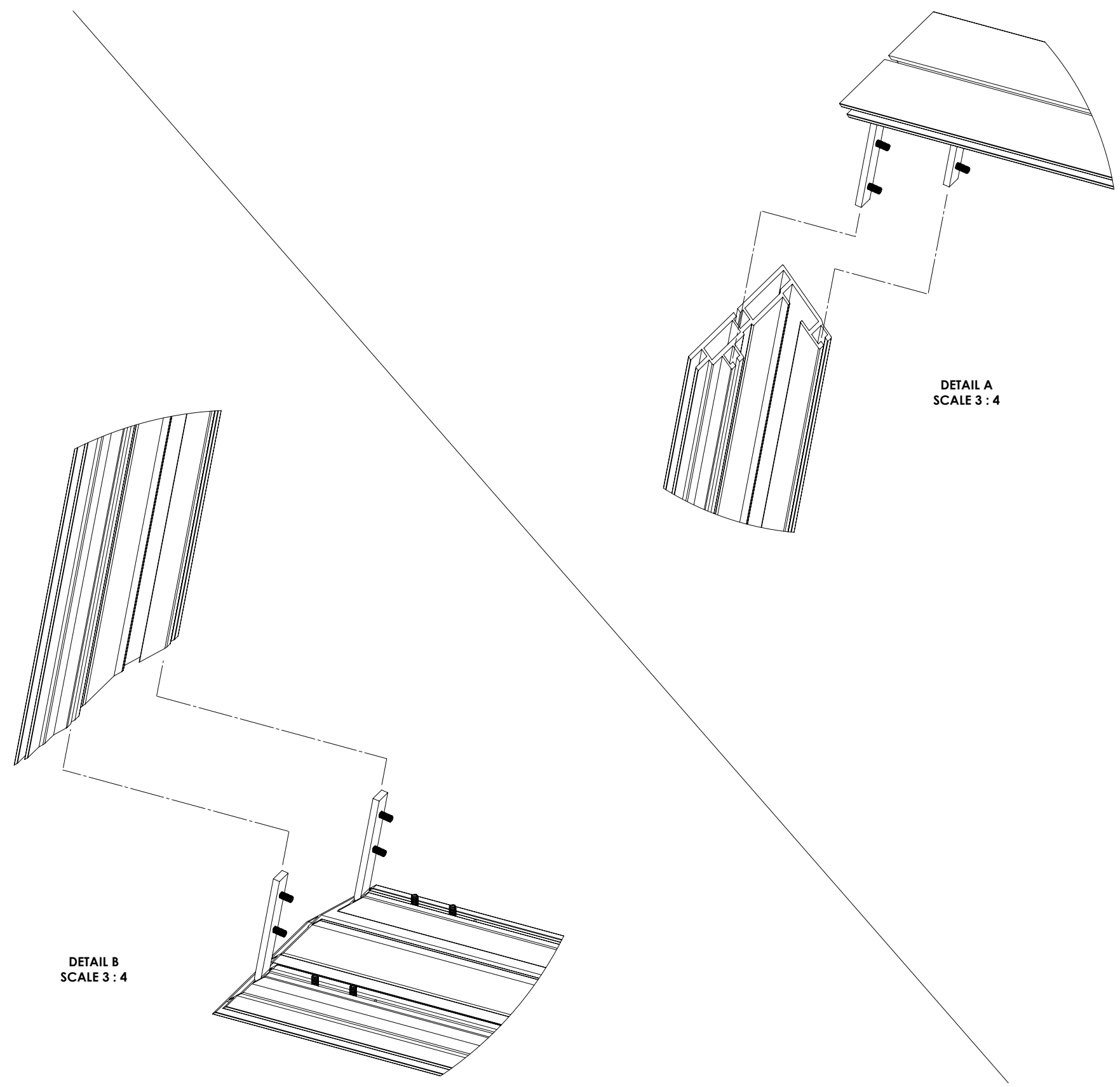
2

8 7 6 5 4 3 2 1

D  
C  
B  
A

D  
C  
B  
A

**SMALL FRAME ASSEMBLY**



**DETAIL B  
SCALE 3 : 4**

**DETAIL A  
SCALE 3 : 4**

8 7 6 5 4 3 2 1

8

7

6

5

4

3

2

1

D

C

B

A

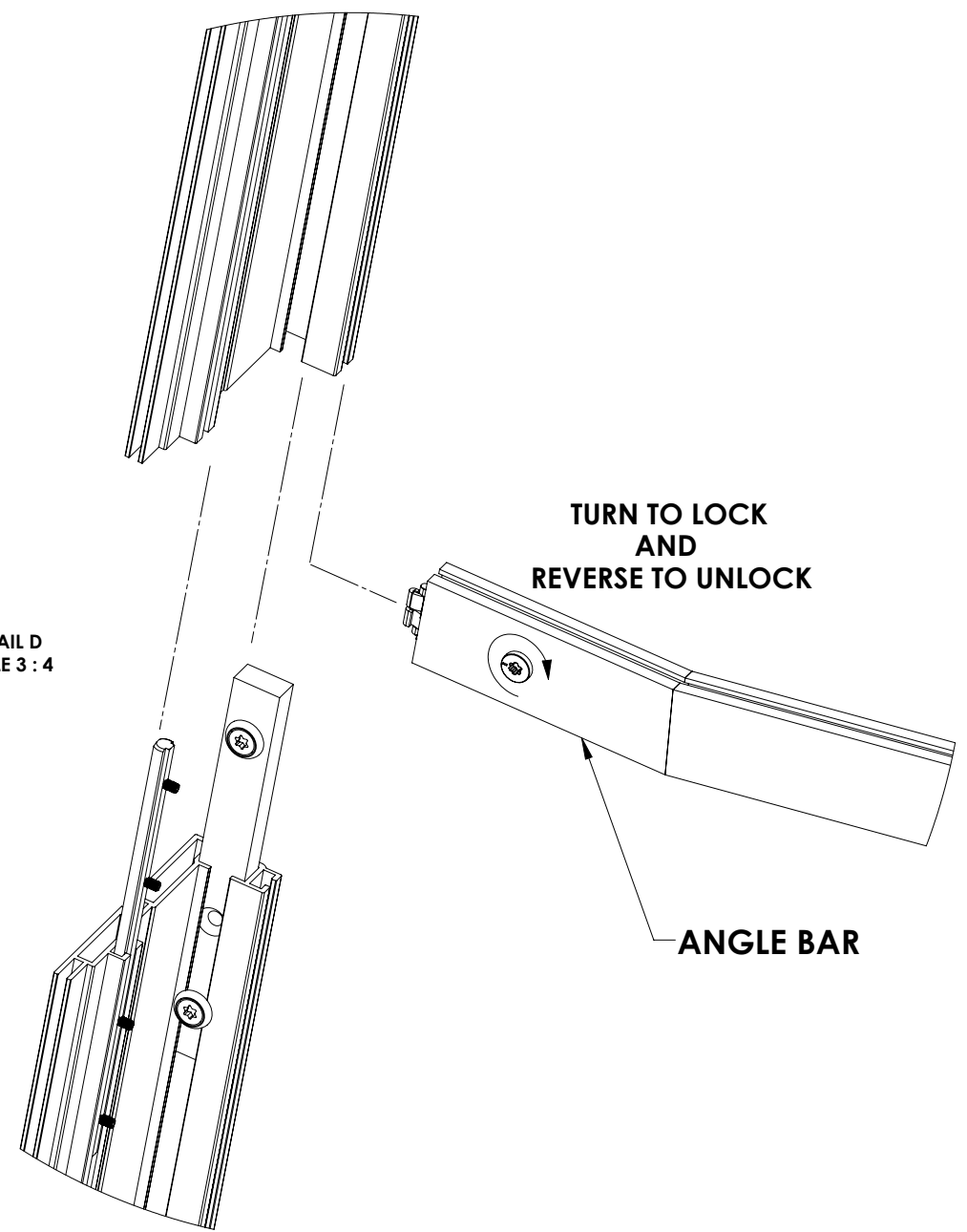
D

C

B

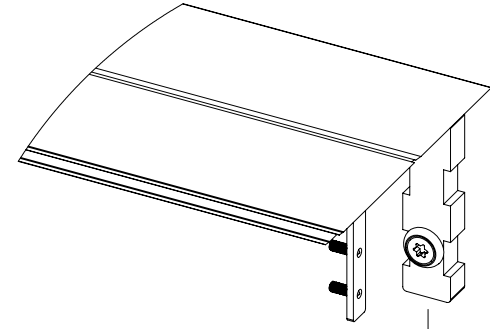
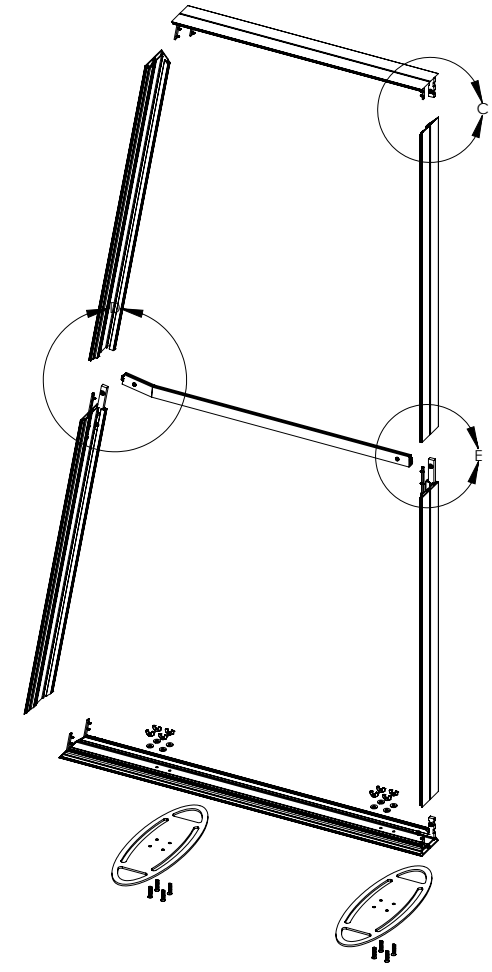
A

DETAIL D  
SCALE 3 : 4

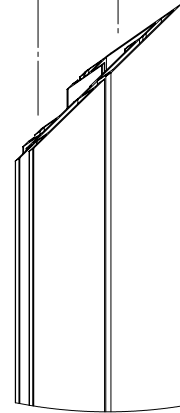


TURN TO LOCK  
AND  
REVERSE TO UNLOCK

ANGLE BAR

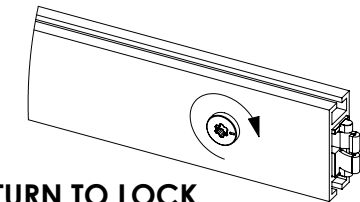


DETAIL C  
SCALE 3 : 4



DETAIL E  
SCALE 3 : 4

TURN TO LOCK  
AND  
REVERSE TO UNLOCK



SMALL FRAME  
ASSEMBLY

8

7

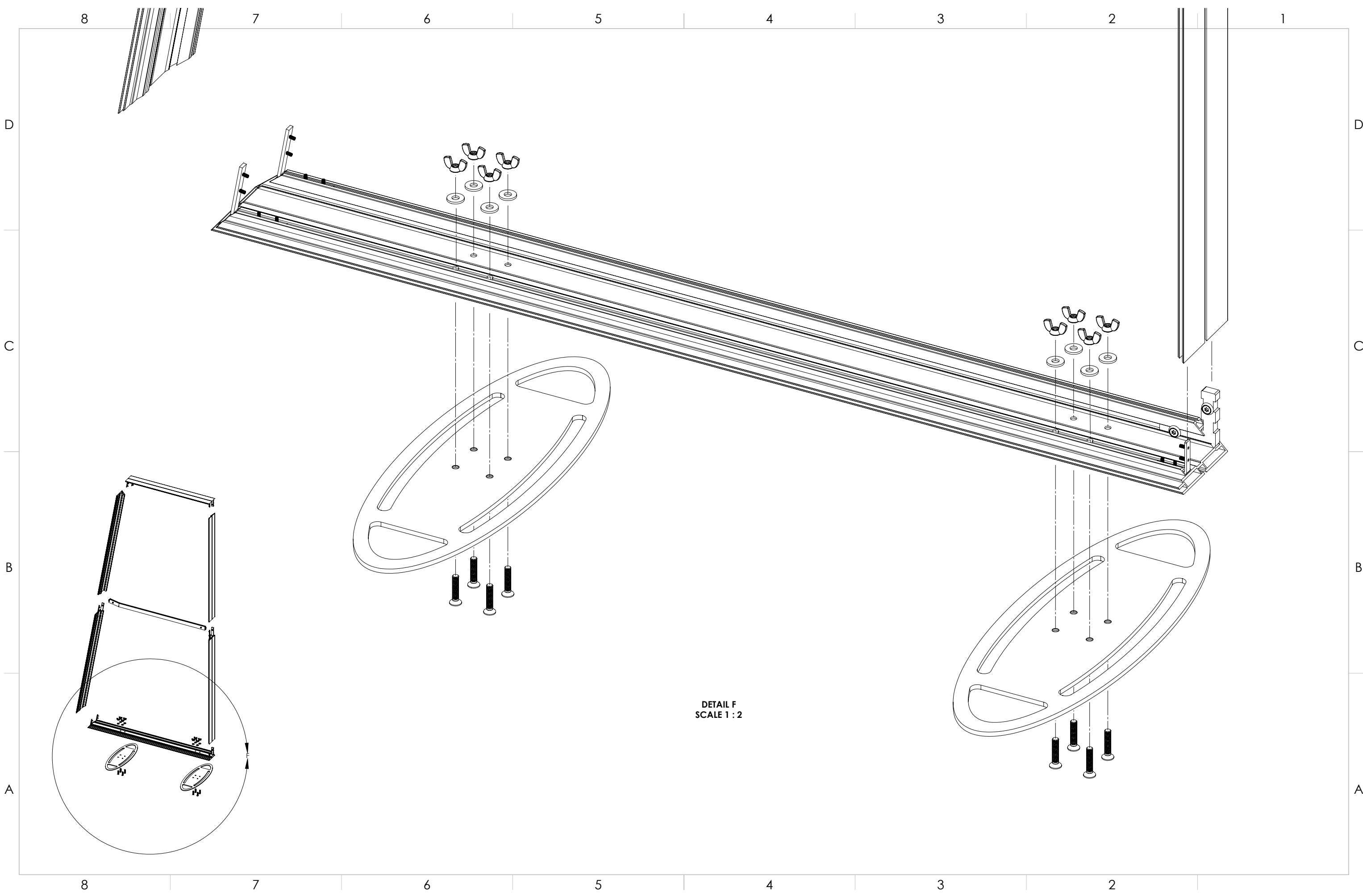
6

5

4

3

2

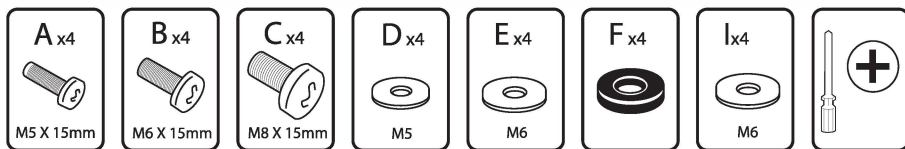


DETAIL F  
SCALE 1:2

**SMALL FRAME  
ASSEMBLY**

# Monitor Mount for 30-50 LCD

Each Kit includes: 1 monitor mount w/ bars attached, 12 screws & 16 washers

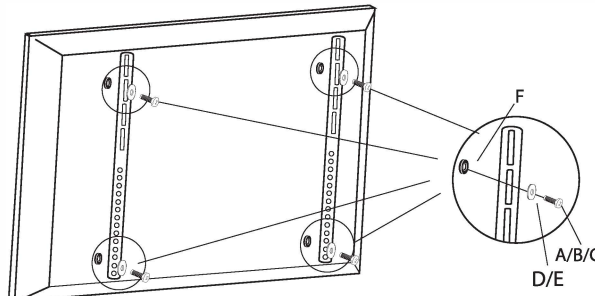


**Safety Warning:** Be careful to make sure there are no missing or defective parts. Never use defective parts. Improper installation may cause damage or serious injury.

**STEP 1**

## Installing bars to your LCD monitor

- 1) To ensure optimal installation, this kit includes various screws of different diameters and lengths.
- 2) Place your TV screen down on a soft, flat surface and locate the threaded mounting points that are located on the back of the display.
- 3) Determine which screw (A/B/C) is of the correct length by carefully inserting a straw or toothpick and mark how deep the mounting point is.
- 4) If your display has a curved back or a recessed thread mounting point, a spacer (F) must be used.
- 5) Place the spacer (F) between the mounting bracket and display.
- 6) According to the size of the display's hole, choose the corresponding screw and hole on the rectangle washer, then thread them in line.



**Notice:**

First, if the TV back is accurate you will need to use (F), if it's flat that is unnecessary. Second, the choice of screw (A/B/C) should be according to the size and depth of the install aperture in the back of the TV.

**STEP 2**

## Installing monitor mount to display

Once the graphic has been installed into the frame, pull out the desired area where the monitor mount will be installed. Insert the support bars into the grooves of the display post and lock using the tool (when complete is should look like the photo below).



**STEP 3**

## Installing monitor to monitor mount

Mount the monitor by carefully lining up the bracket bars on the back of the monitor onto the horizontal bars just installed on the frame. The monitor is attached correctly when you hear it click. To remove the monitor, pull down strings to release grip.



side view

