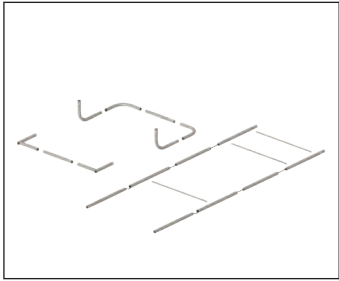
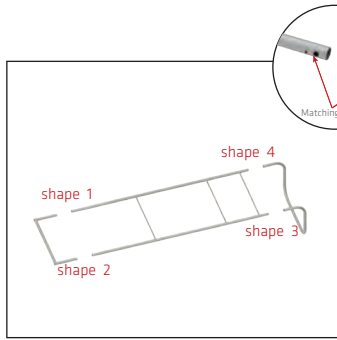


WATERFALL

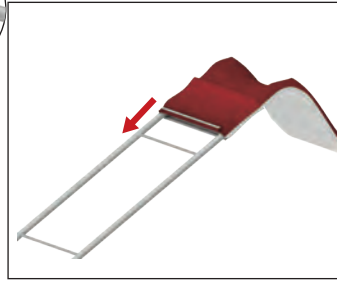
Setup Instructions



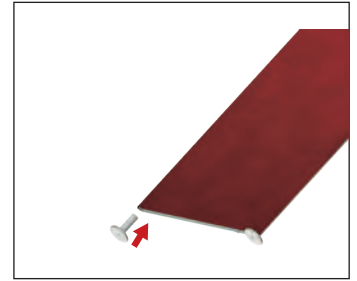
1. Connect poles by pressing and pushing.



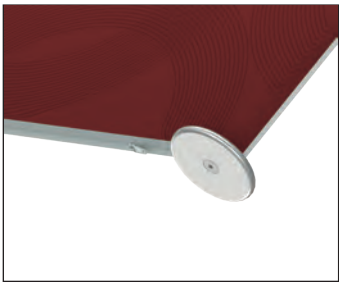
2. Connect corner sections to straight sections with matching shape codes.



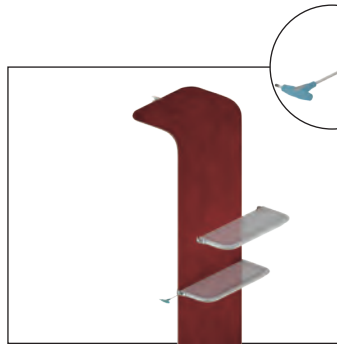
3. Unzip print and lay image face up. Slide print onto frame like a pillow case.



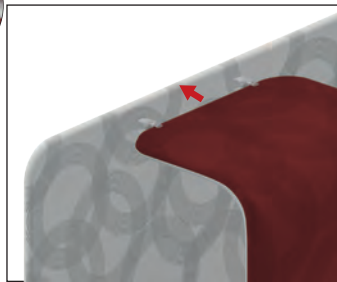
4. Connect feet by pressing and pushing.



5. Zip the bottom edge of the graphic beyond the center point as shown above.



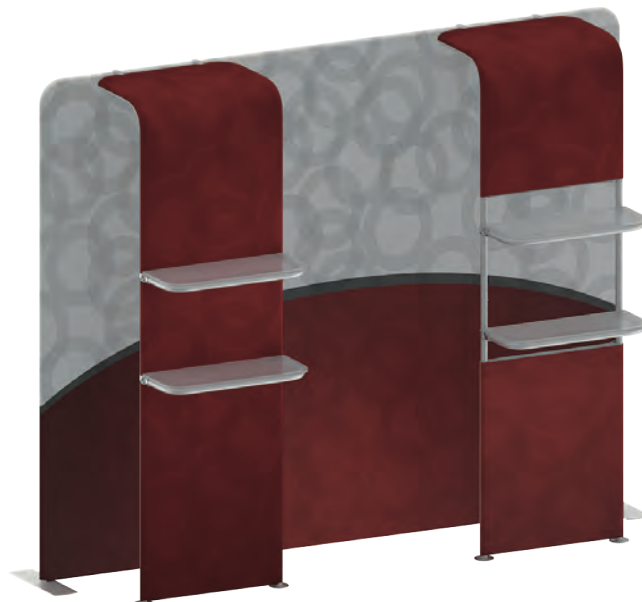
6. The shelves come semi assembled, just make sure that they are level before you tighten the clamp.



7. Position frame as desired and clamp in place.

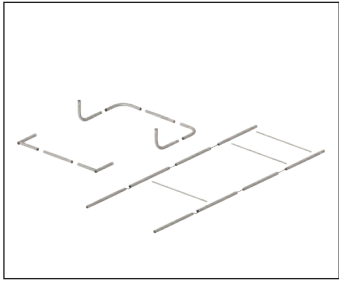


8. Enjoy.

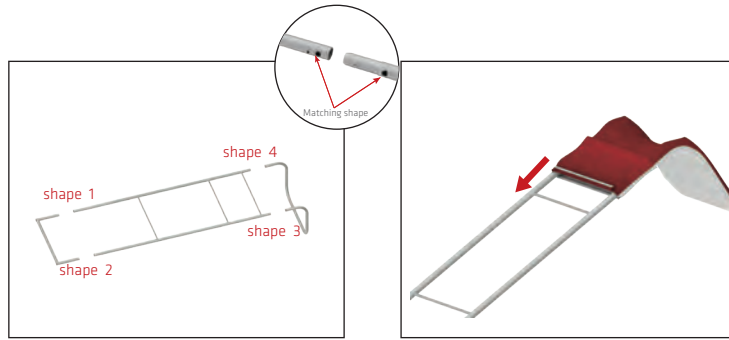


WATERFALL

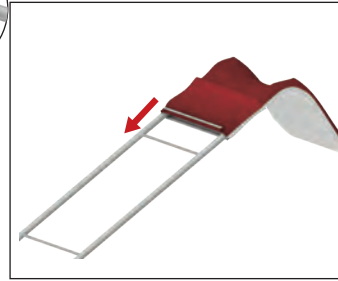
Setup Instructions



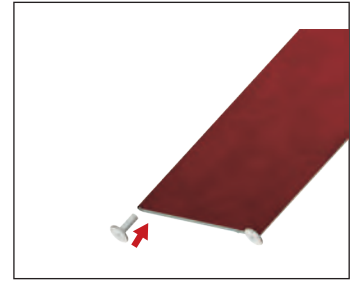
1. Connect poles by pressing and pushing.



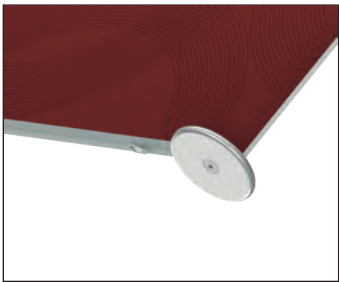
2. Connect corner sections to straight sections with matching shape codes.



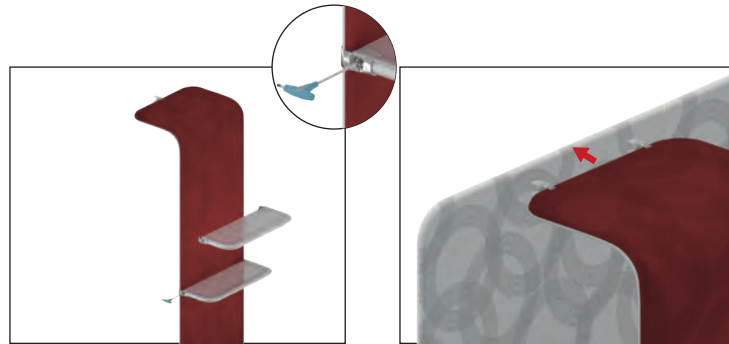
3. Unzip print and lay image face up. Slide print onto frame like a pillow case.



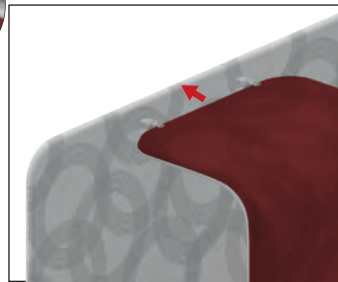
4. Connect feet by pressing and pushing.



5. Zip the bottom edge of the graphic beyond the center point as shown above.



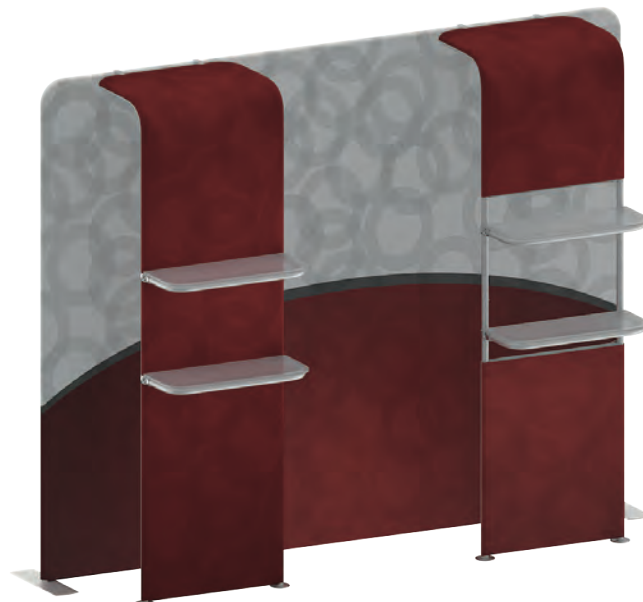
6. The shelves come semi assembled, just make sure that they are level before you tighten the clamp.



7. Position frame as desired and clamp in place.



8. Enjoy.





1.



2.



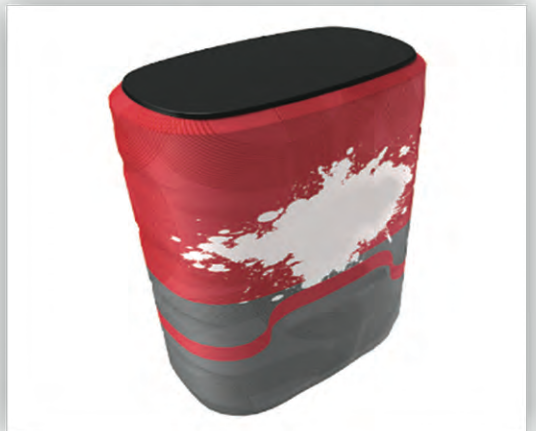
3.



4.



5.



6.