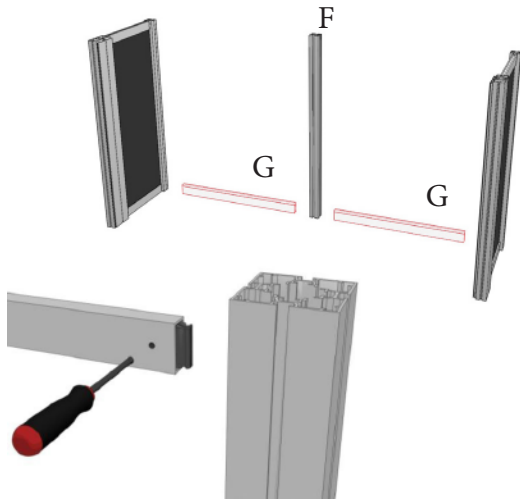


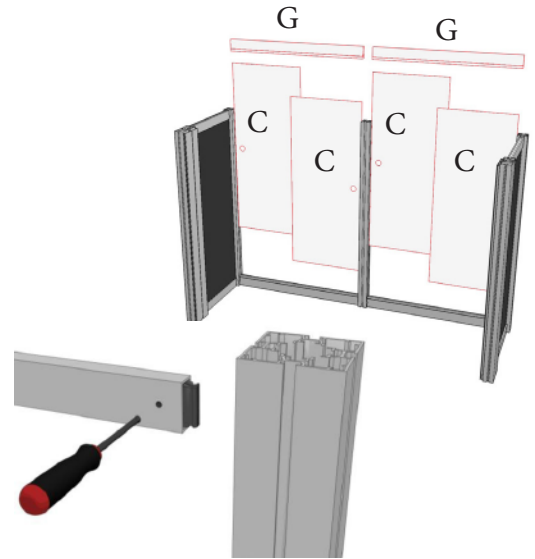
- A.)x4 - L=26 13/16" Front Crossbars
- B.)x2 - Counter Tops
- C.)x4 - Sliding Panel Doors
- D.)x2 - Fabric Graphic

- E.)x2 - Sides
- F.)x1 - Back Middle Column
- G.)x4 - L=26 1/4" Back Crossbars
- H.) x1 - Light Blanket

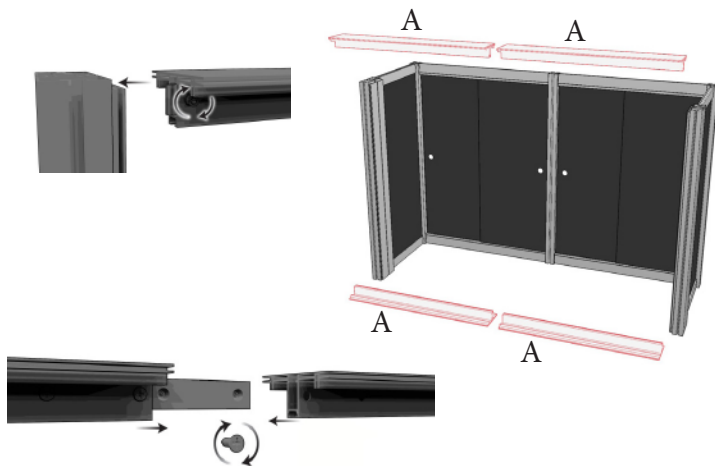
Step 1.



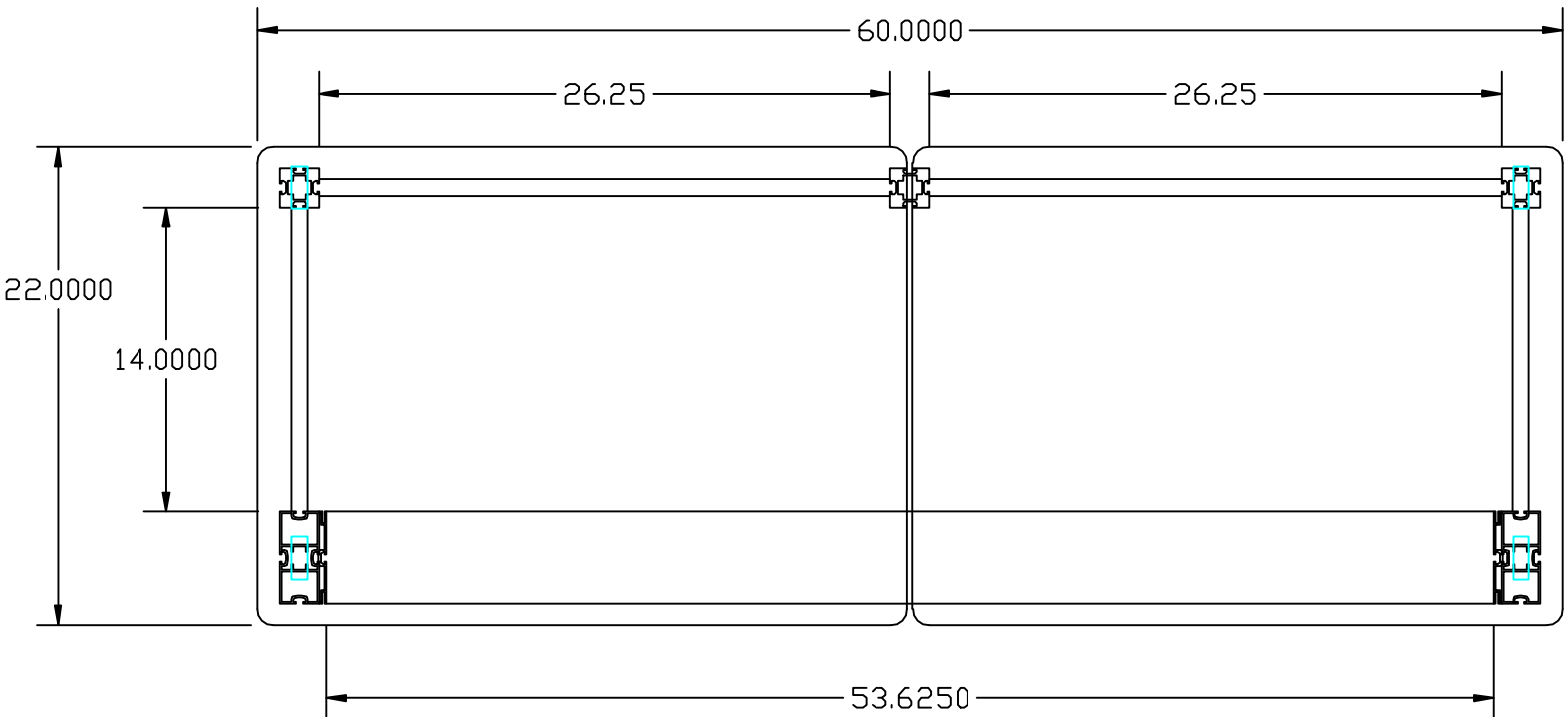
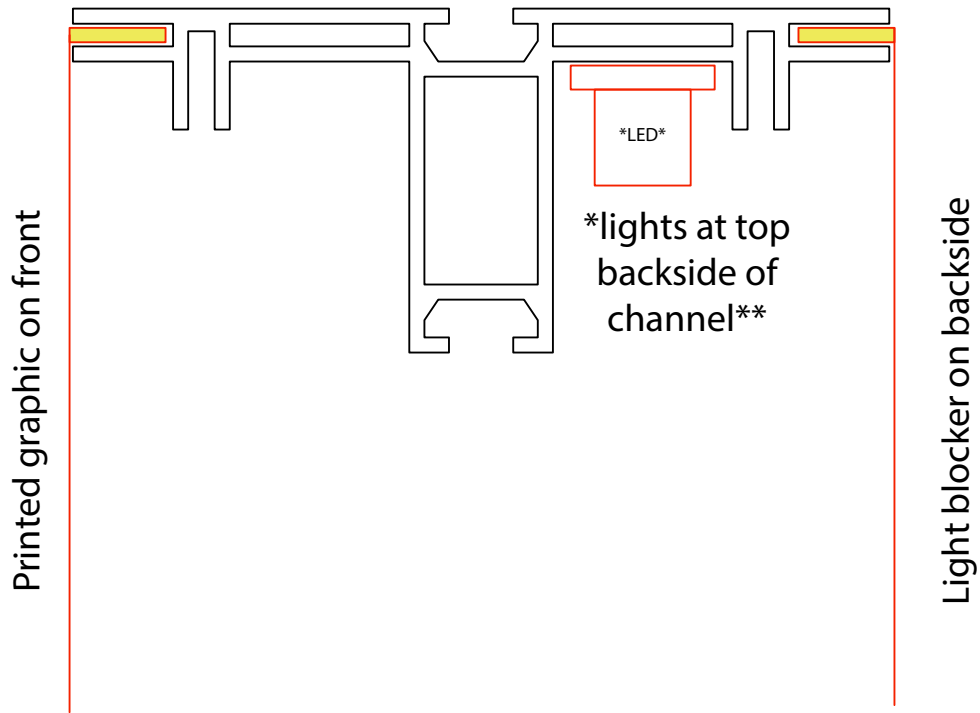
Step 2.



Step 3.

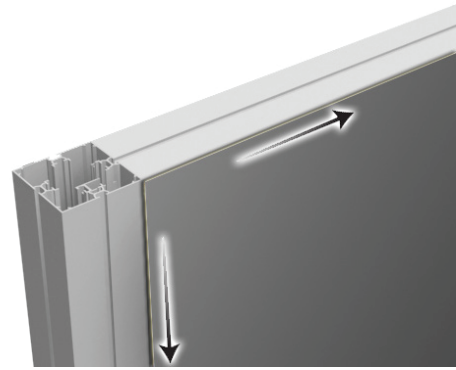


****Front top graphic bar****



Front

Silicon edge graphic installation



****Work out from corners****

****Fold graphic over silicon****



It is best to push the corners in first



Step 1:

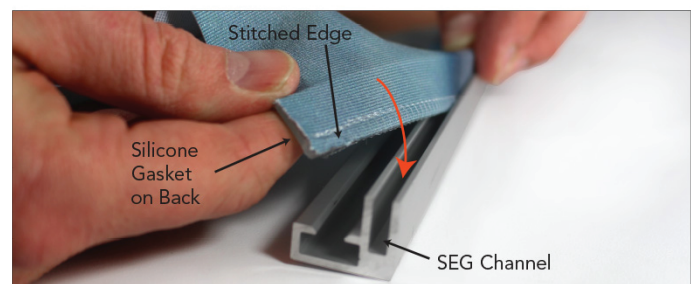
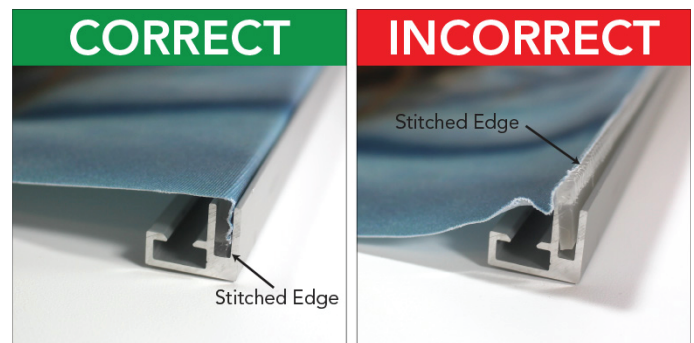
Start in corners and insert 8" to 10" of cover with SEG gasket into corner grooves of the frame.

Step 2:

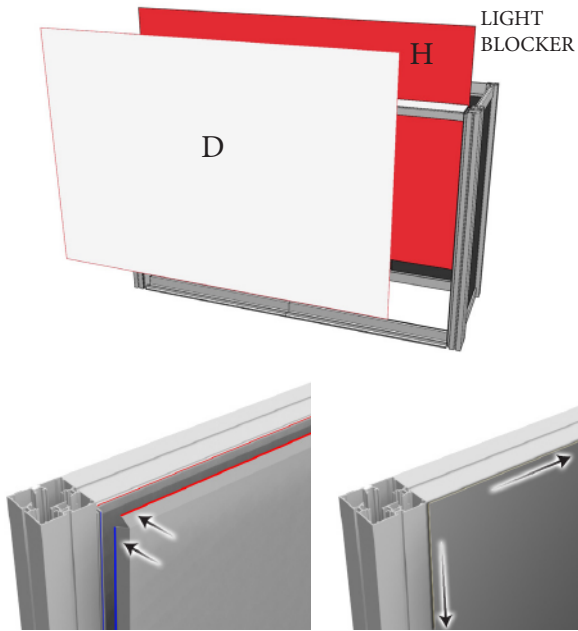
Insert middles of each side into the groove and continue in an outward direction.

If SEG needs adjusting:

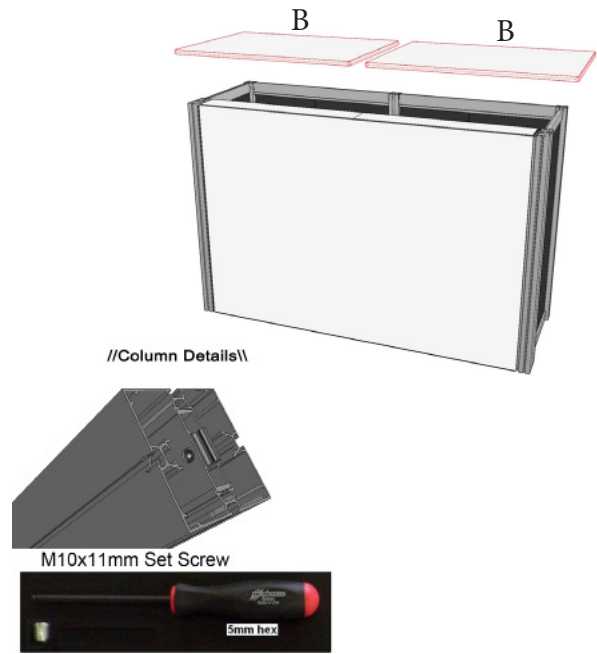
- If there is bunching it can be worked in by pushing/pulling the gasket towards the corners.
- If the gasket seems to long:
 - 1st, make sure gasket is completely flush in opposite corner
 - 2nd, it can be worked in by pushing/pulling the gasket towards the opposite end.



Step 4.



Step 5.



COMPLETE

