

## Parts List

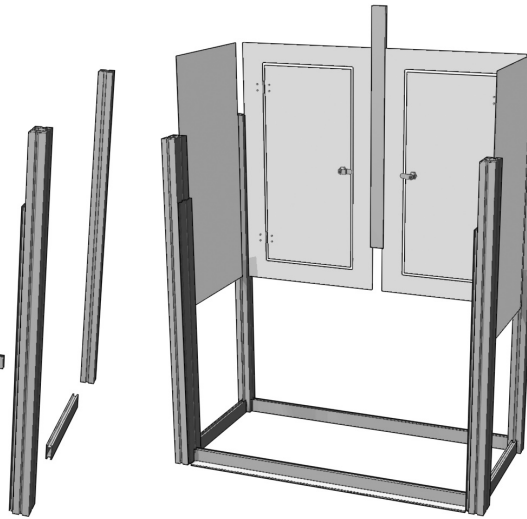
- A.) x2 - Front Columns
- B.) x2 - Back Columns
- C.) x4 - Side Crossbars
- D.) x2 - Front Crossbars
- E.) x2 - Back Crossbars
- F.) x2 - Side Panels

- G.) x2 - Back Doors
- H.) x1 - Shelf
- I.) x1 - Top
- J.) x1 - Secured Top
- K.) x1 - Vertical Support

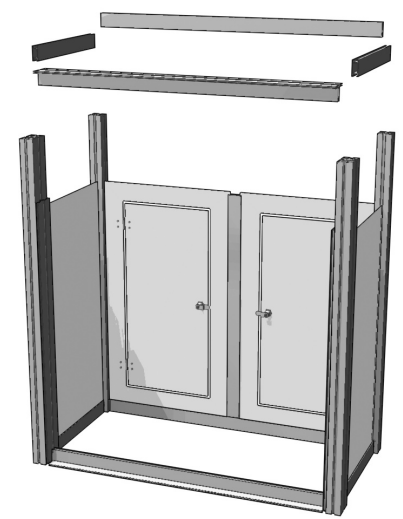
**Step 1.** Attach bottom crossbars to columns



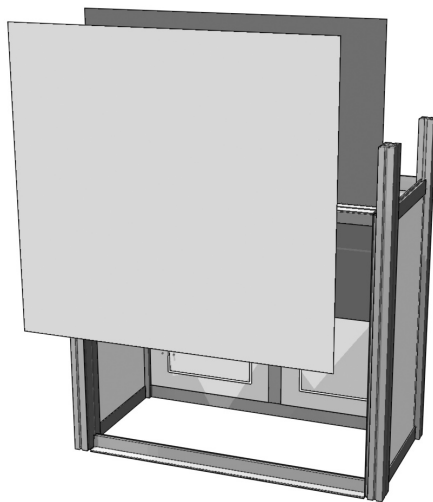
**Step 2.** Attach vertical support to back crossbars. Slide in panels and doors.



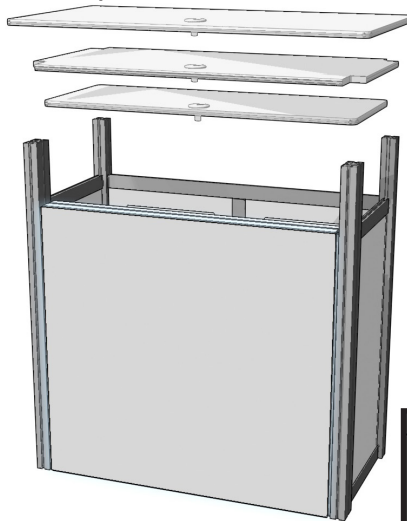
**Step 3.** Attach top crossbars to columns



**Step 4.** Attach bottom crossbars to columns



**Step 5.** Drop shelf onto supports; drop top onto crossbars; Attach secured top.



**COMPLETE**

