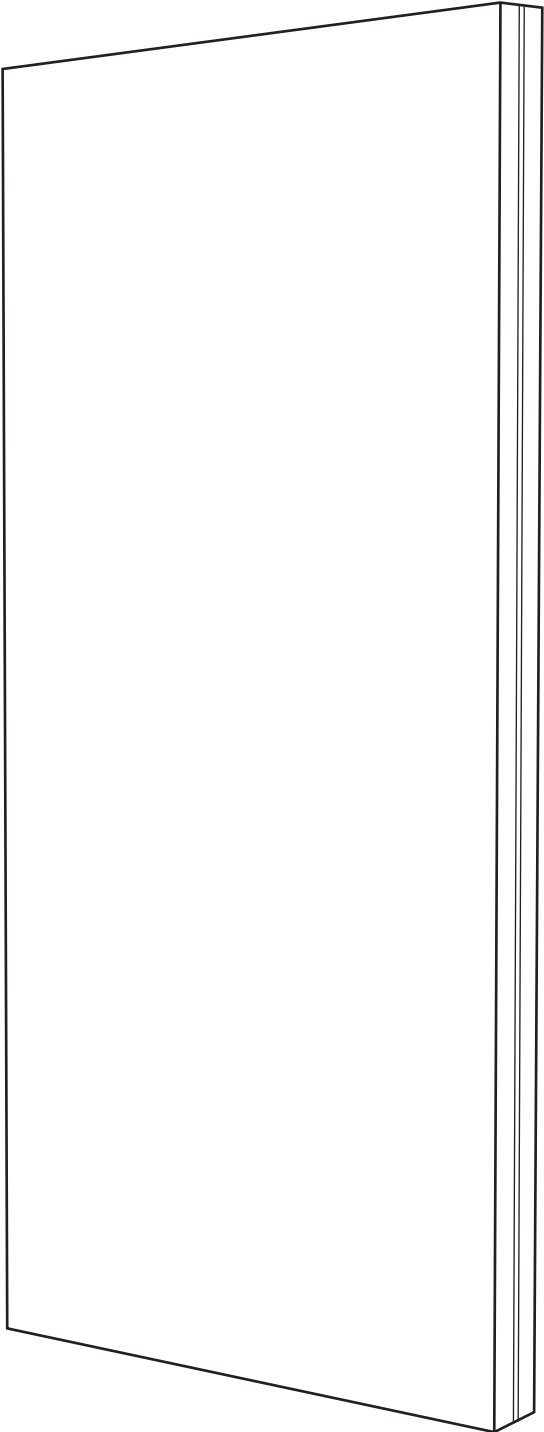
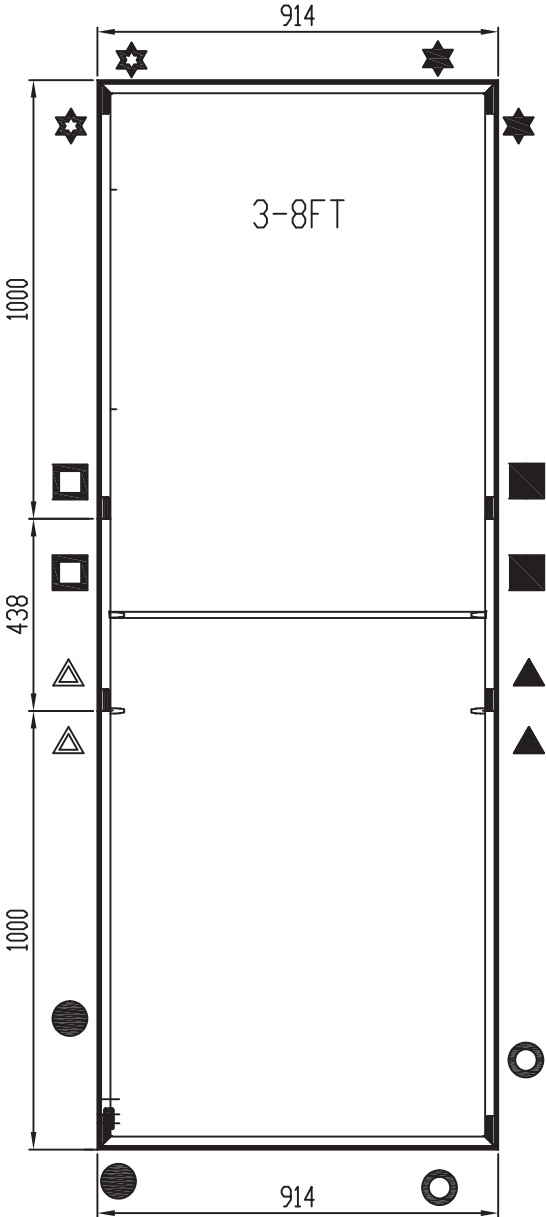
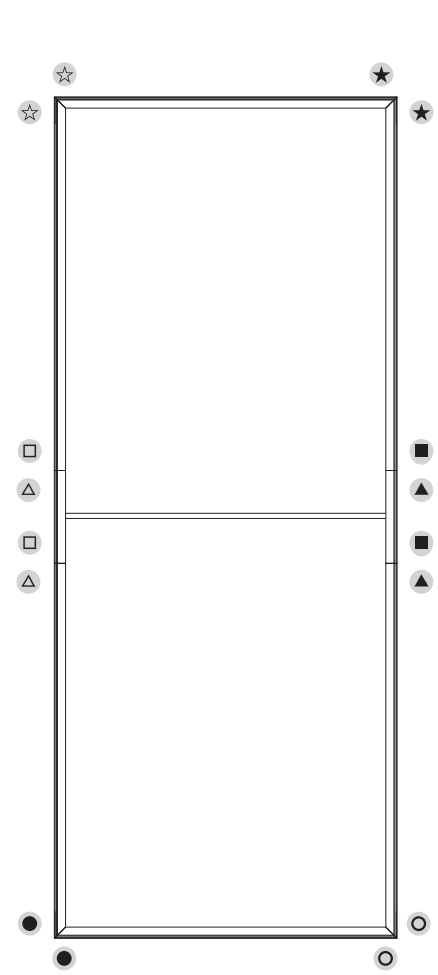
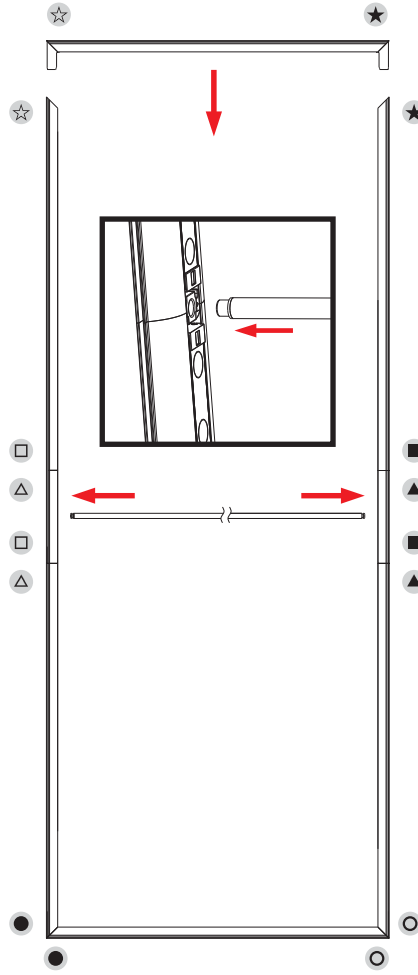
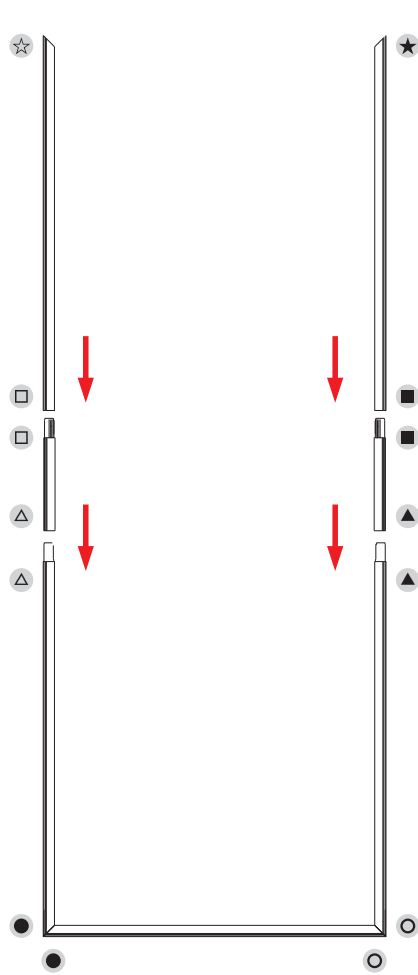
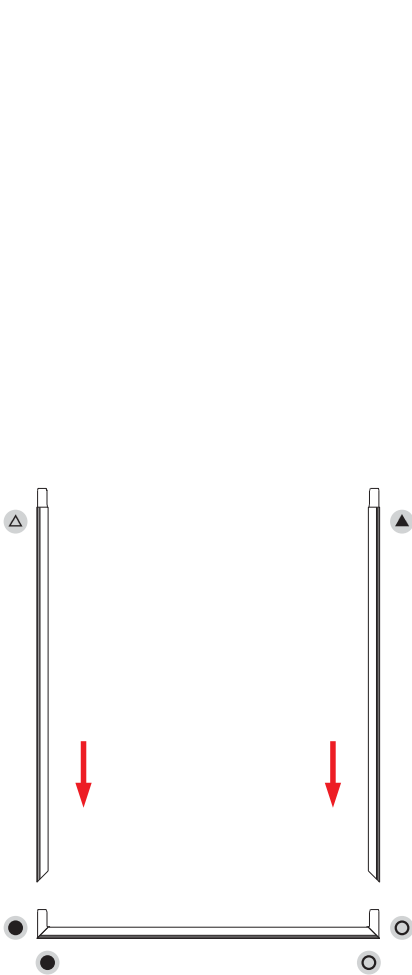
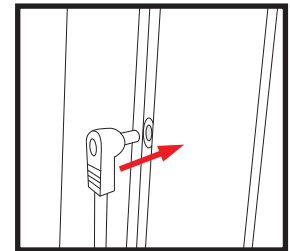
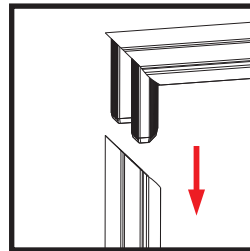
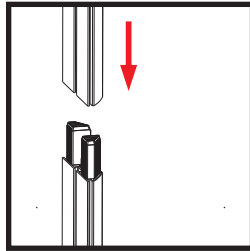
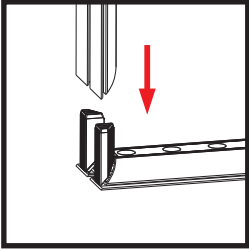


3' X 8' Light box module (6x)

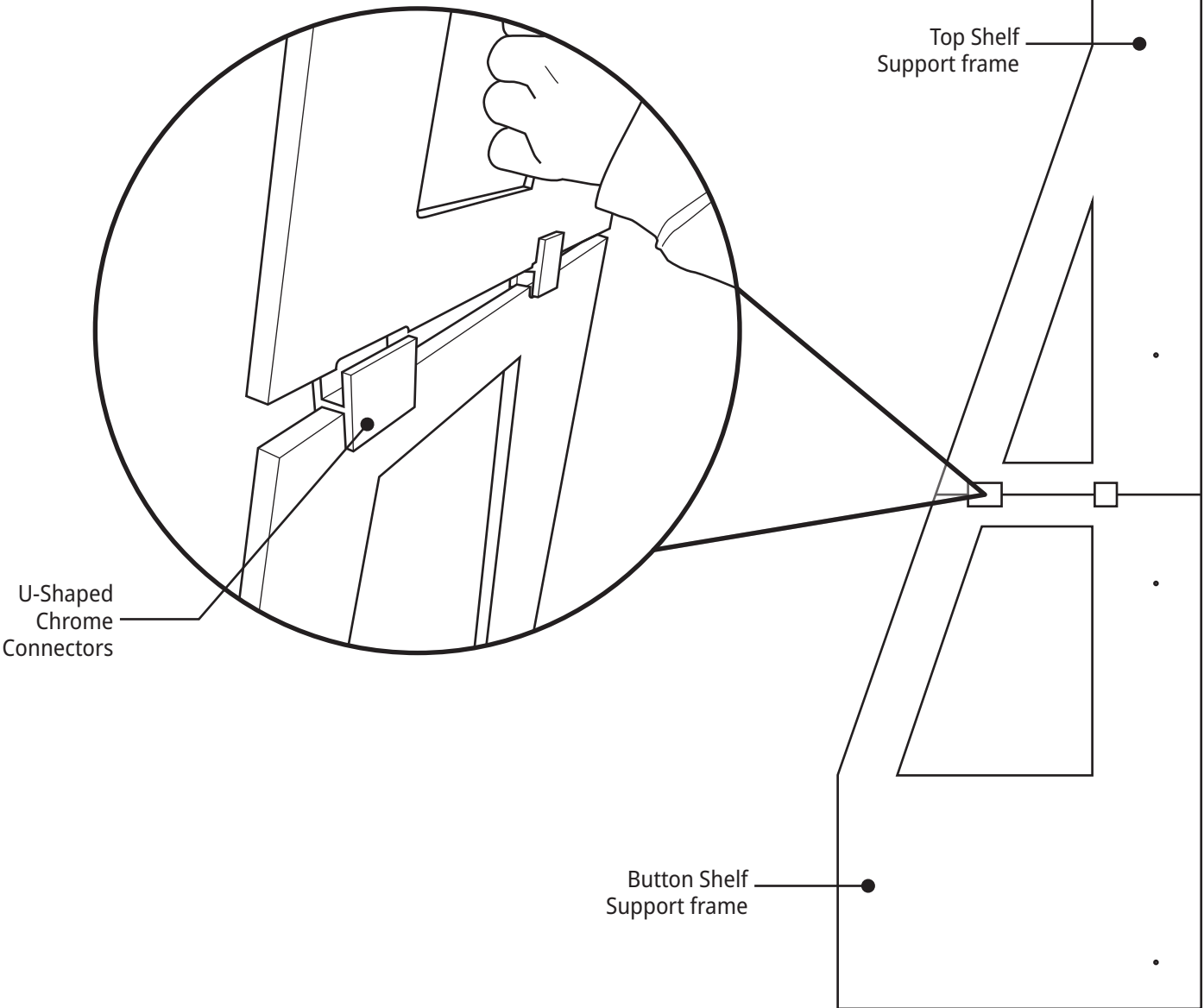
Detailed step how to assemble the 3' X 8' LIGHT BOX MODULE.
Repeat the process with the other 5 LIGHT BOX MODULE.





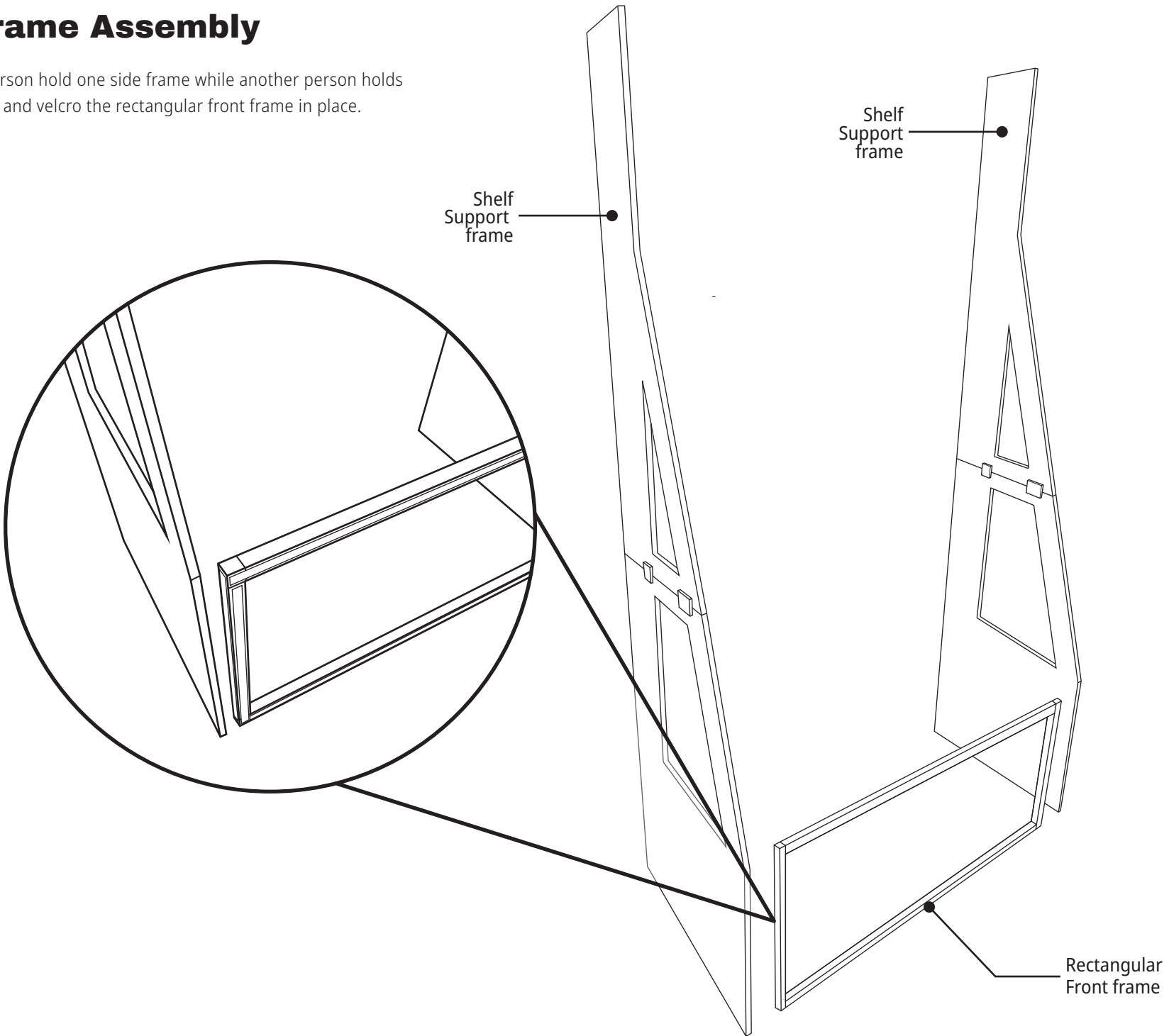
Shelf support frame assembly (7x)

The first step is to assemble the shelf support frame. Start by attaching the two side supports together for both the left and right side supports using the U-Shaped chrome connectors.

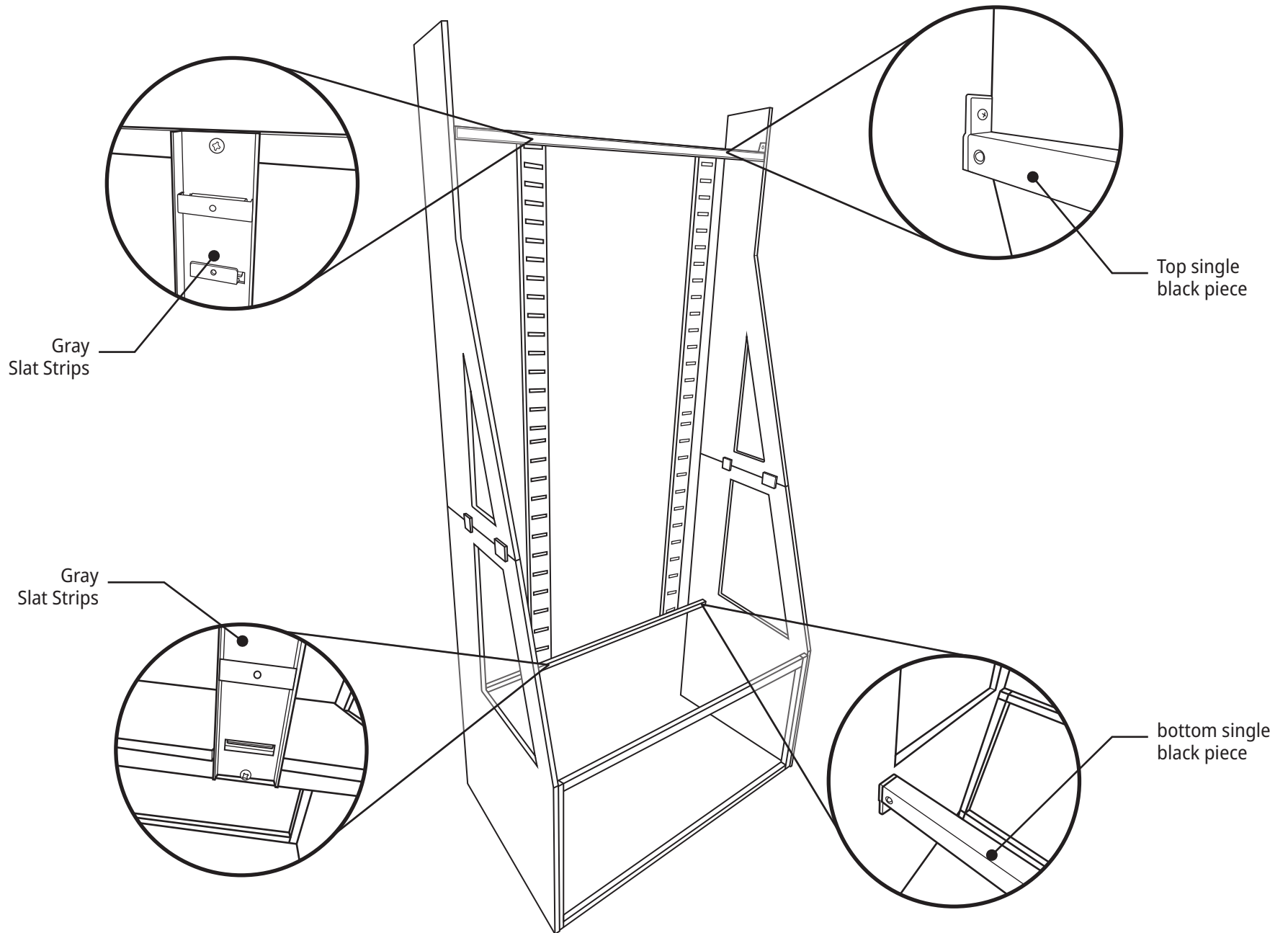


Front Frame Assembly

Next have one person hold one side frame while another person holds the other upright and velcro the rectangular front frame in place.

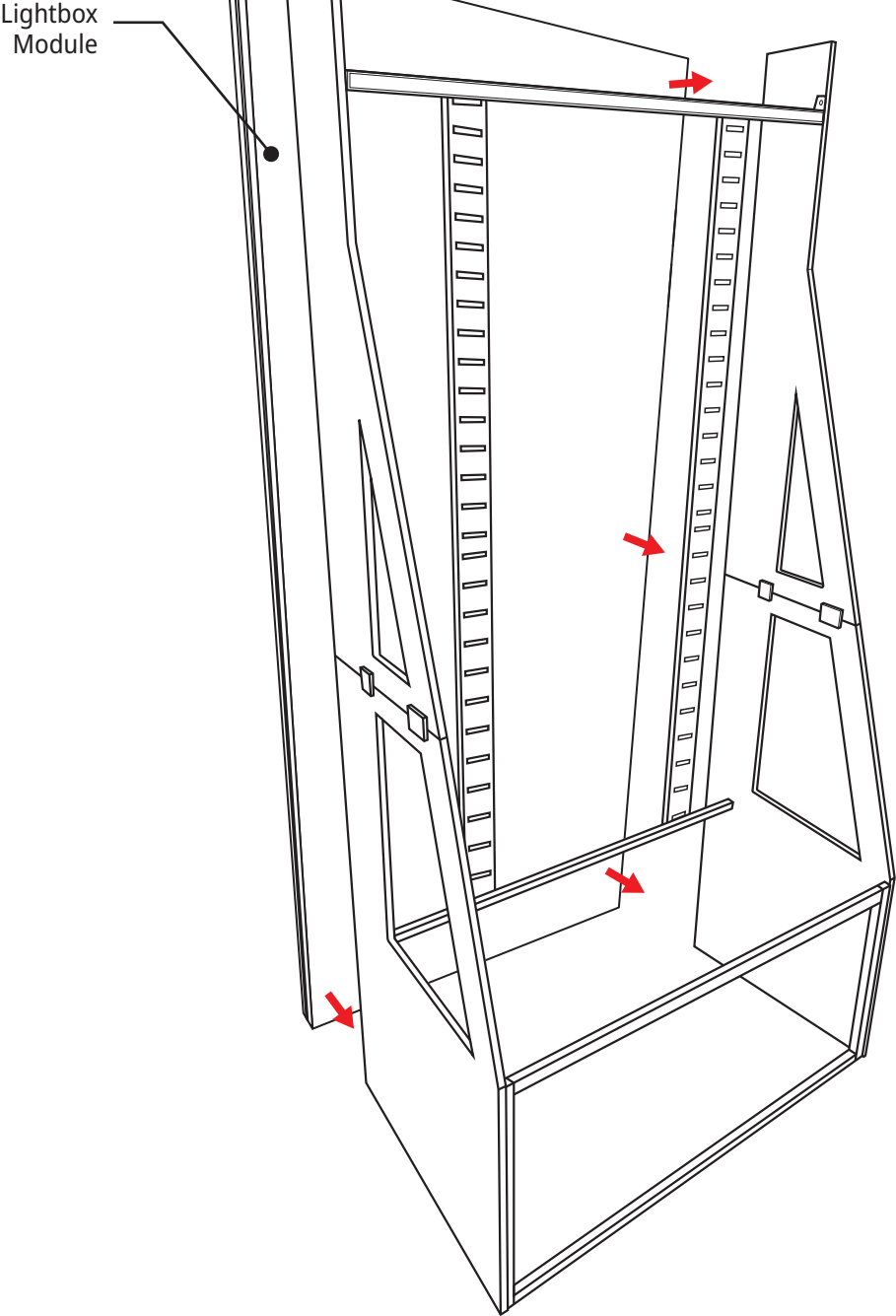
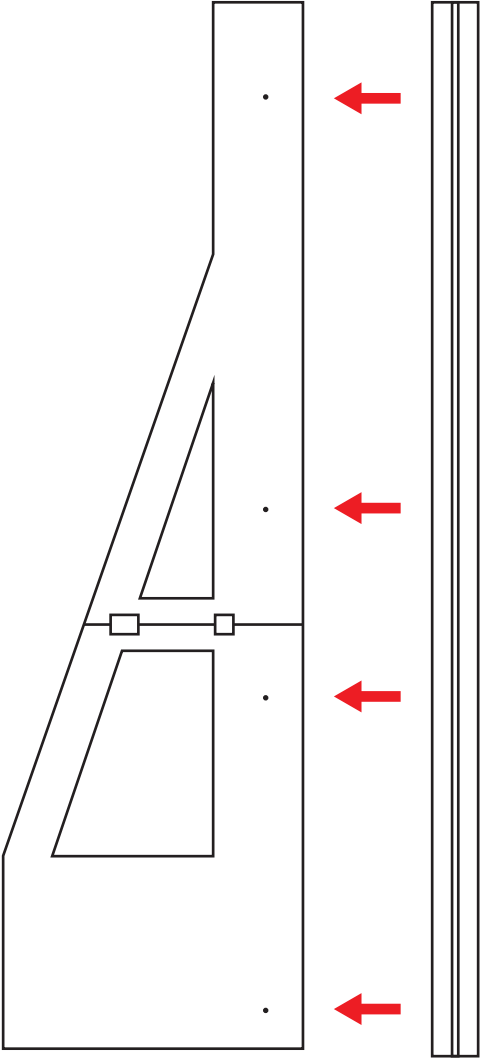


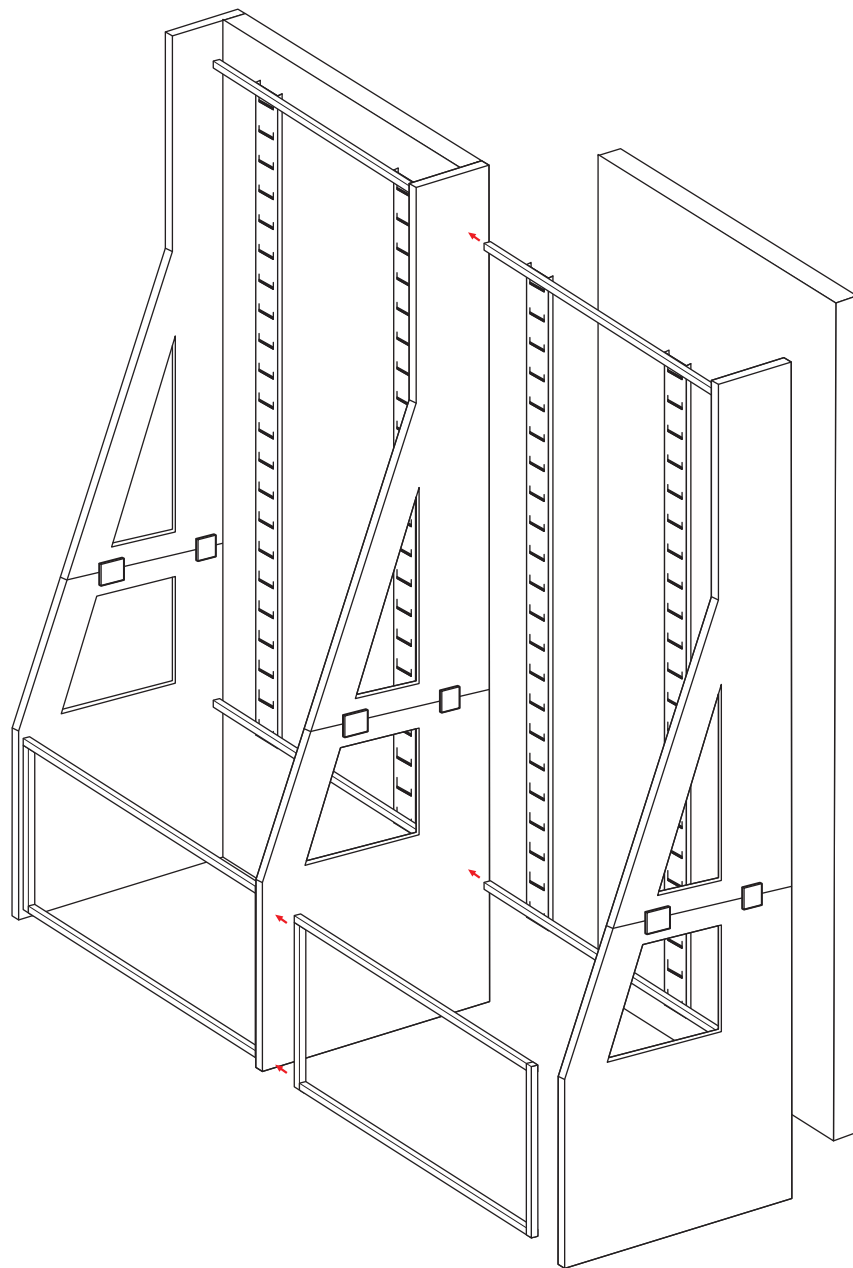
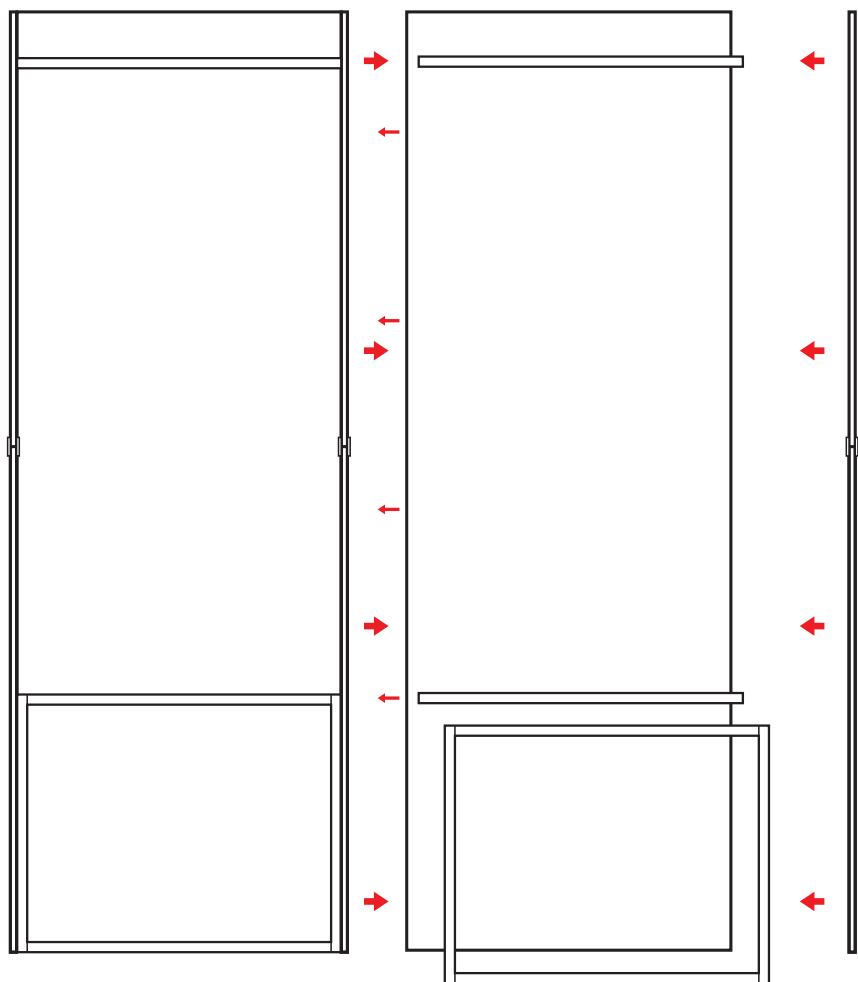
Next, connect the bottom single black piece of frame to the push button connectors on the side supports. Next connect the top single black piece of frame to the side supports. Then mount the gray slat strips to the black frames using the supplied hardware at the top and bottom. It is important to note the "TOP" label on the top of the slat strip.



Attach the Light Box Frame

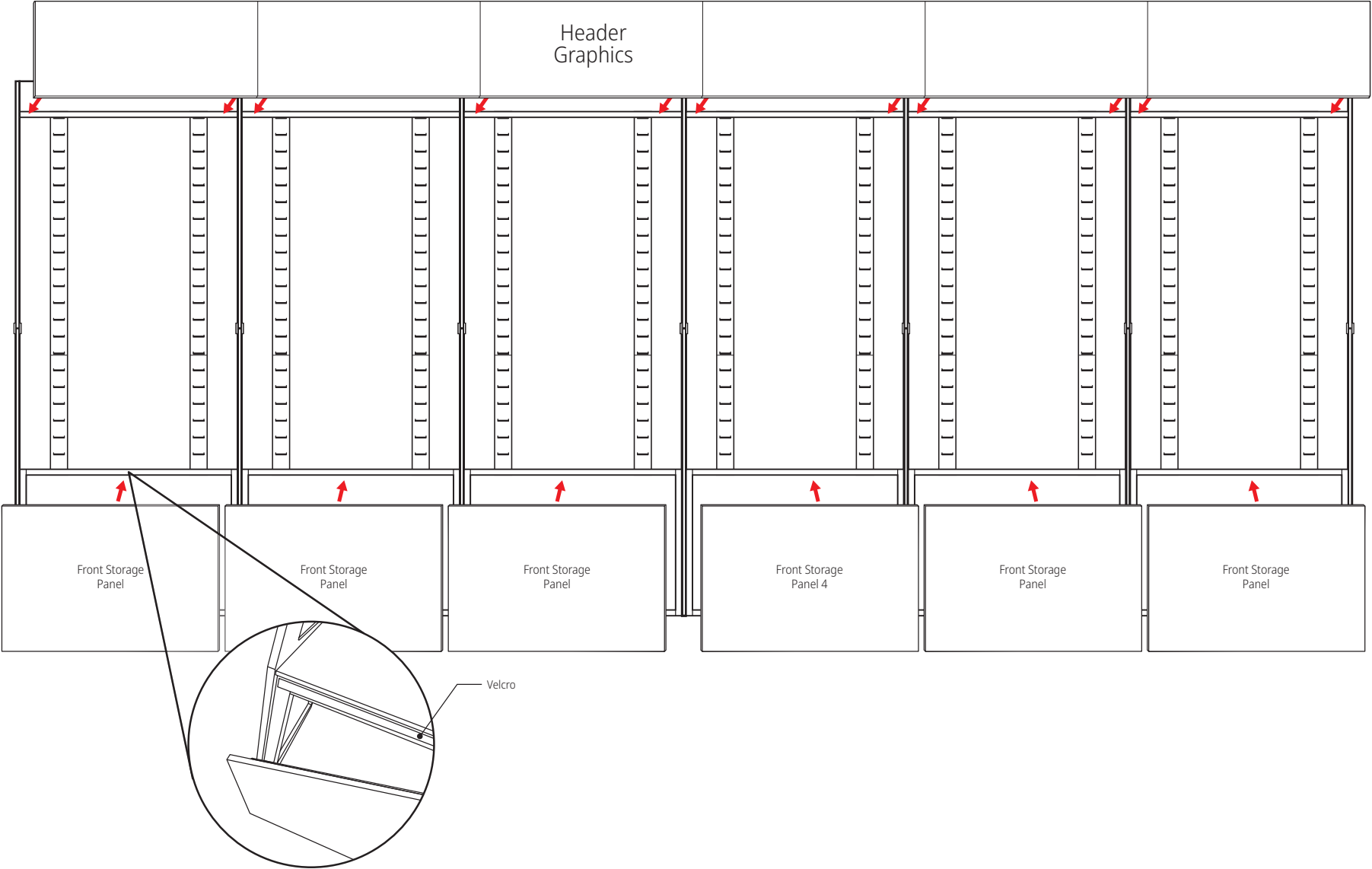
Attach the Light box Frame to Frame support





Attaching Header Graphic, Front Storage Panel, and Rear Backlit Graphics

Once the frame support is assembled and the light boxes are all in place between the frame supports, proceed with attaching the header graphics, front storage panels, and the rear backlit graphics on the light boxes



Attaching shelf and base storage cover

Next attach all the shelf support bracket, Shelf and base storage cover.

