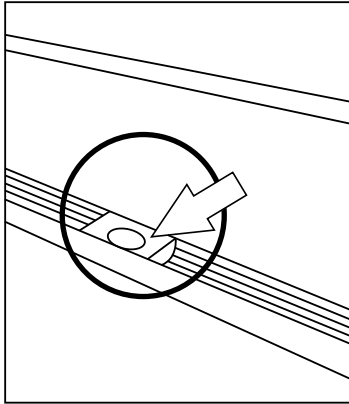
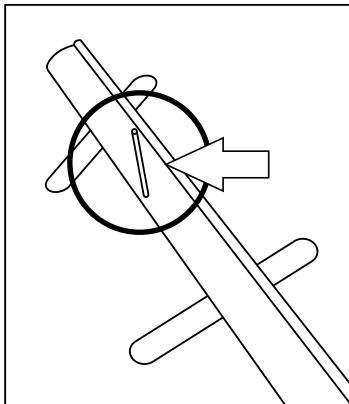


# Thifty Jiffy Banner Stand



- ① Select II Banner pole positioning to extend graphic



- ② Start with smaller stand alone pole section and guide down into both slots on the back of the unit as shown at left

- ③ Next, extend the three part pole and insert into top of small section in unit as shown below. Once pole is seated the graphic can be pulled up and attached on the top of the full pole.

