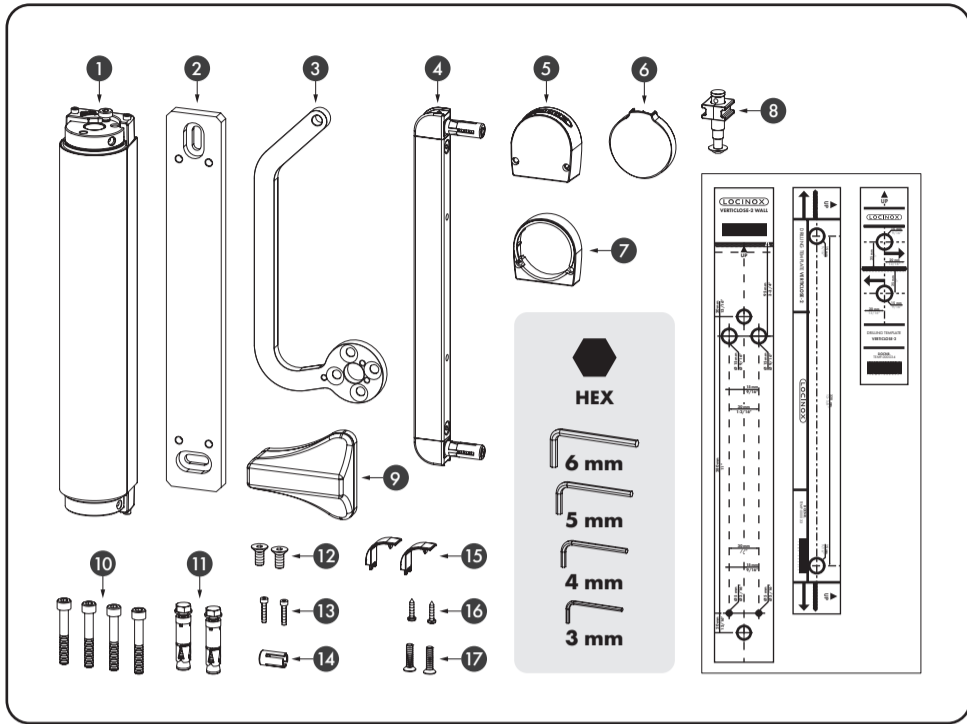


VERTICLOSE-2 WALL

INSTALLATION INSTRUCTIONS FOR SQUARE PROFILES

LOCINOX

Let's make it better together



!

THE PRE-MOUNTED FASTENERS (QUICK FIX) ARE DESIGNED FOR GATE FRAMES WITH A WALL THICKNESS OF 0.083" UP TO 0.190"

FOR THICKNESSES FROM 0.200" UP TO 0.313" USE THE QUICK-FIX OUT OF THE QFIXSET-USA-4 BAG.

Min. 0.200"
Max. 0.313"

QFIXSET-USA-4

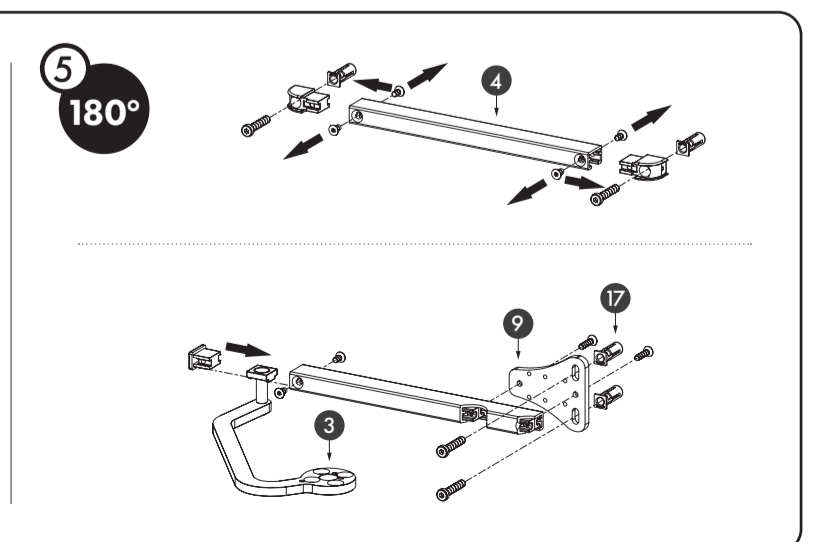
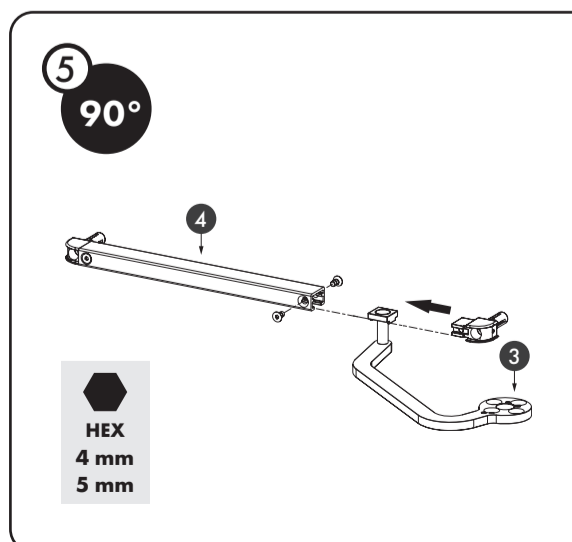
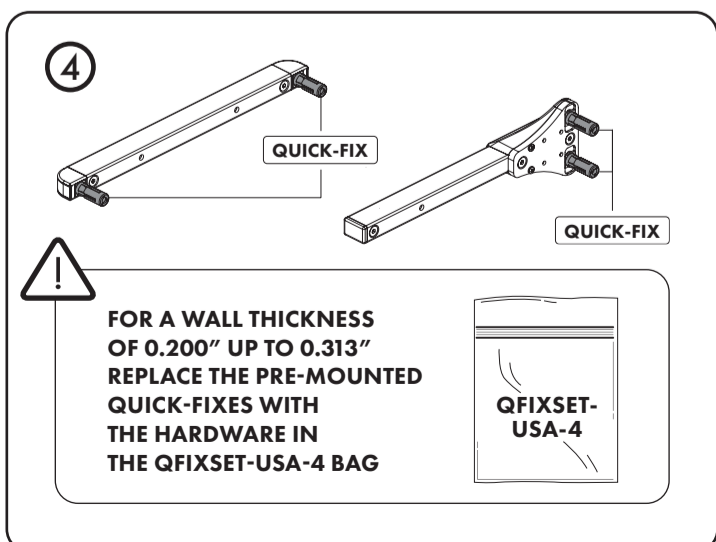
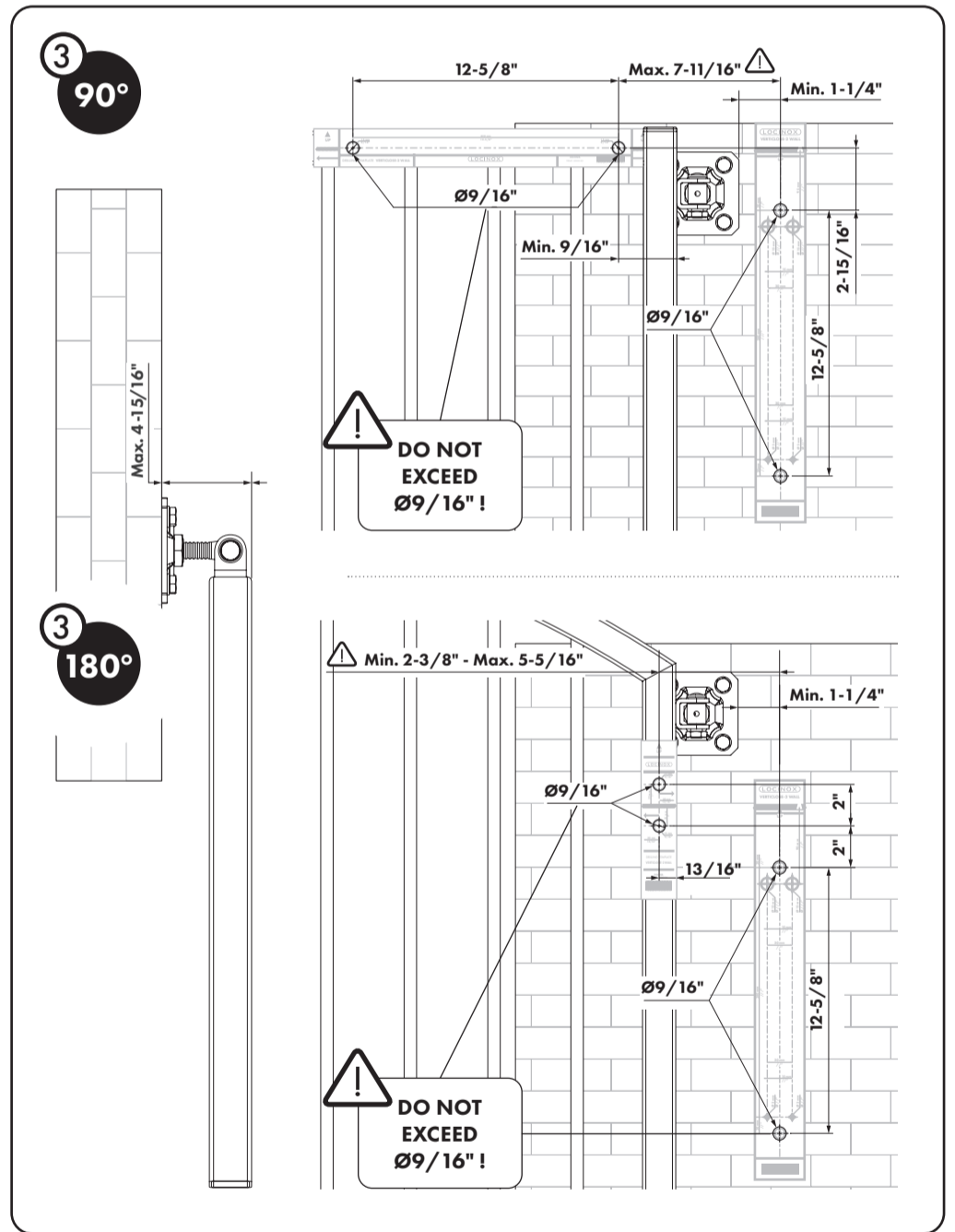
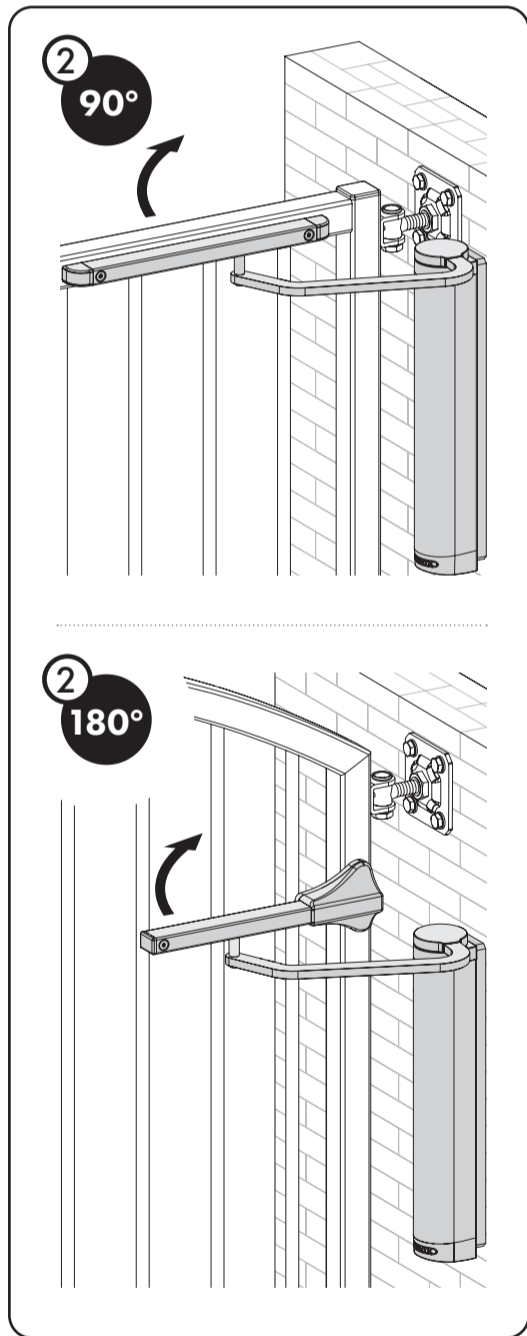
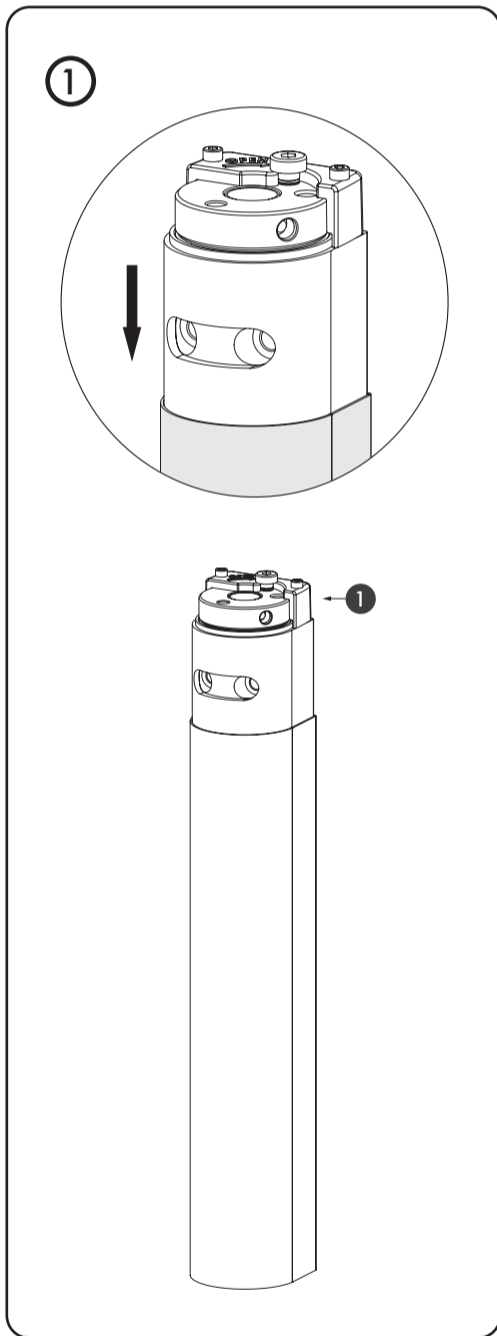
? LOCINOX USA

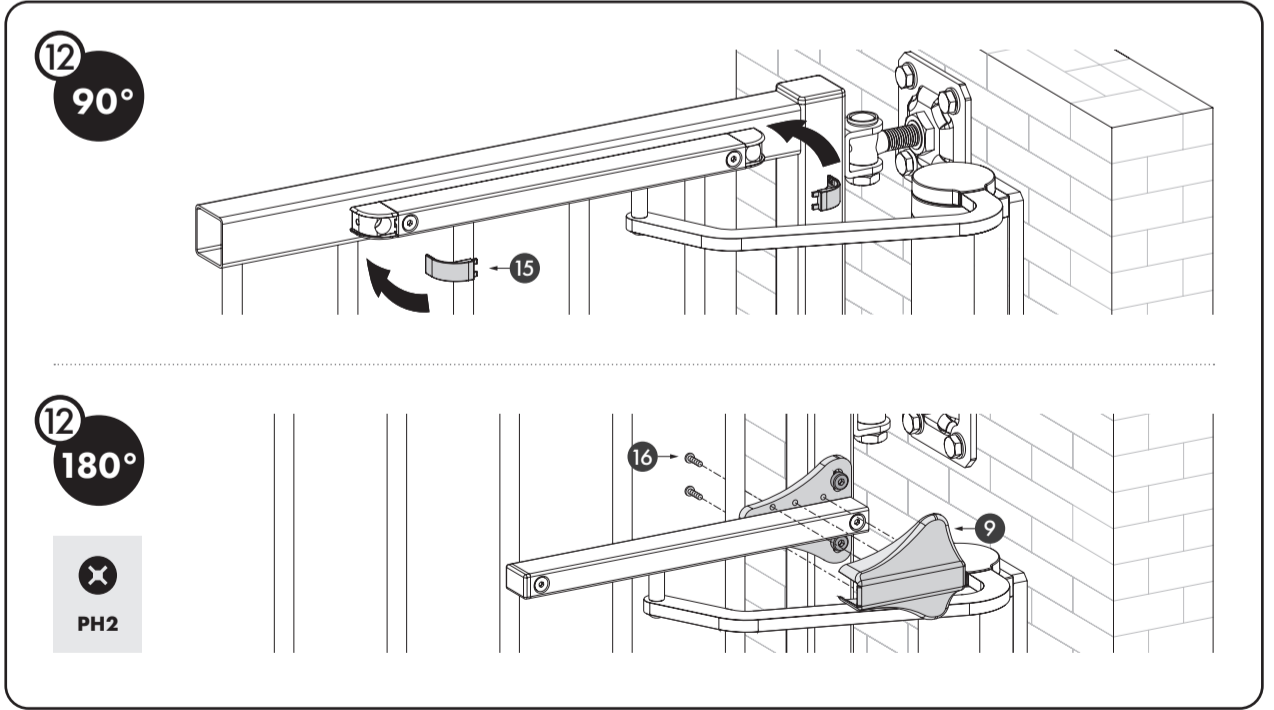
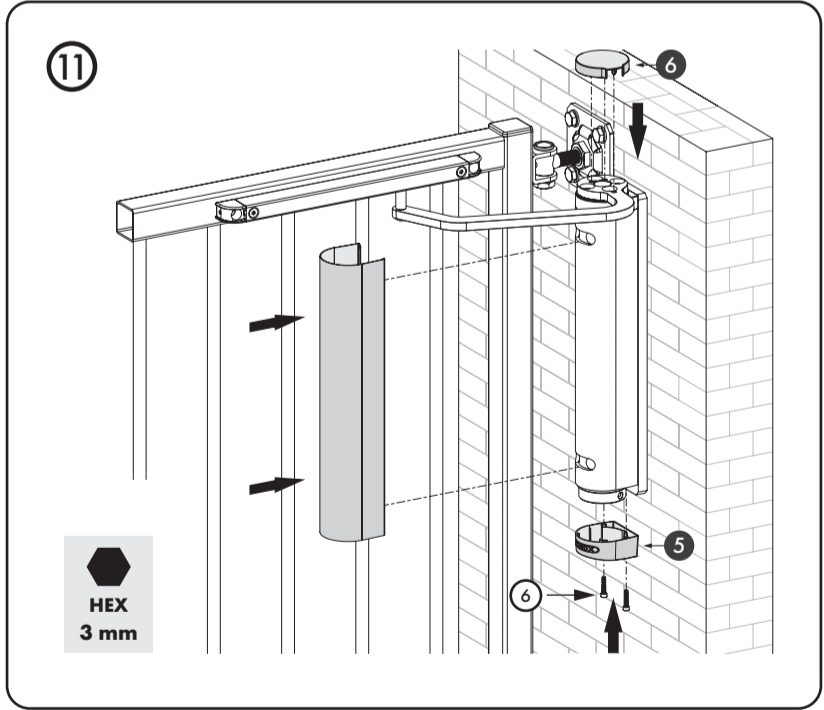
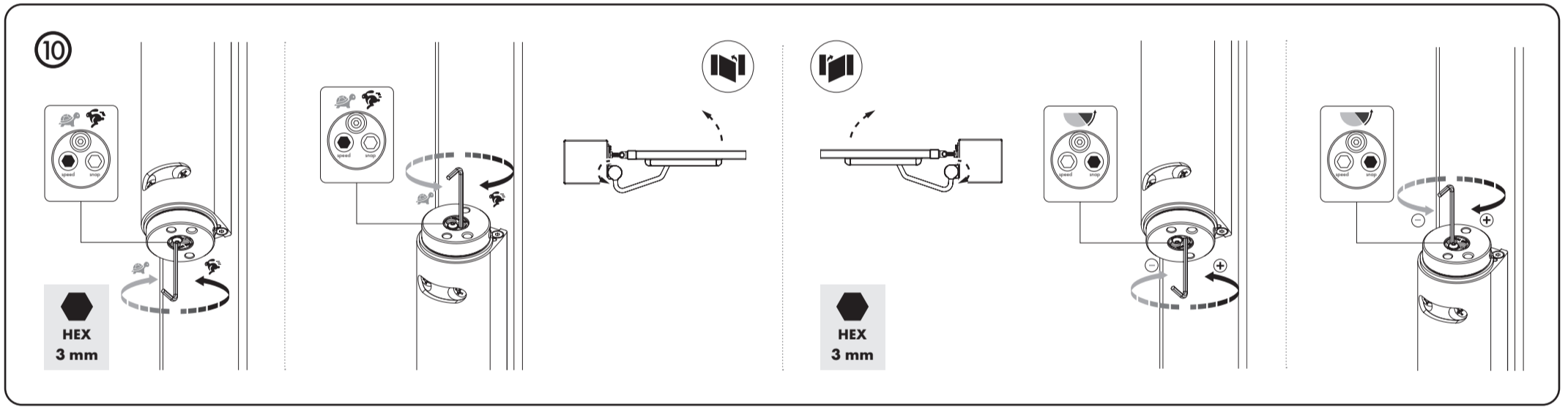
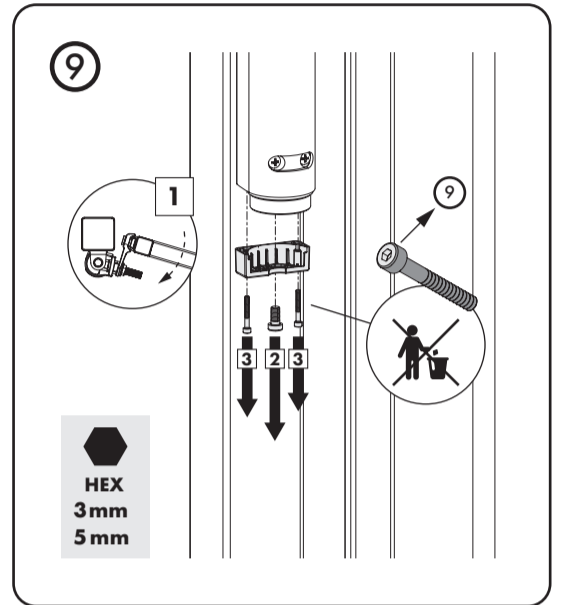
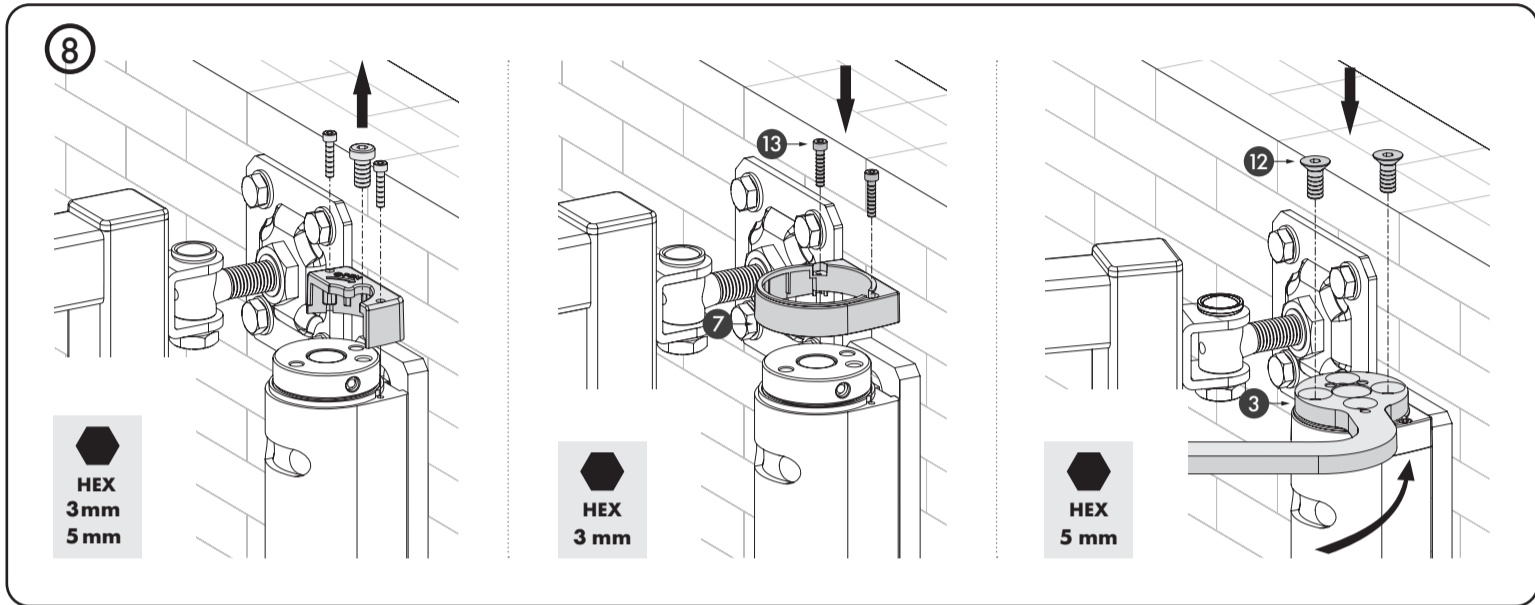
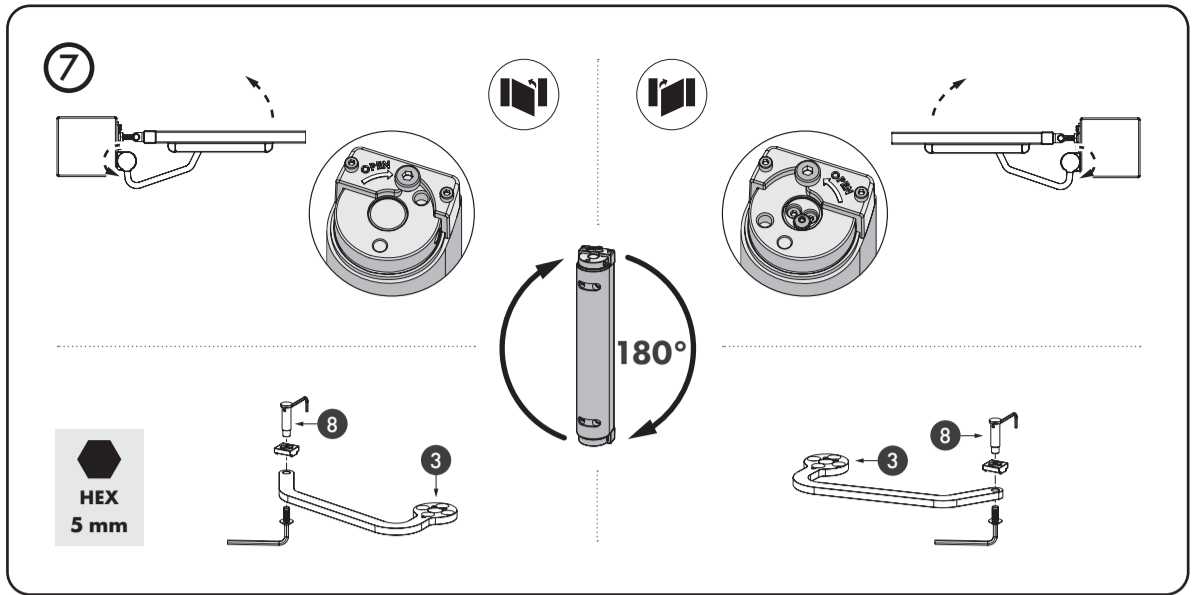
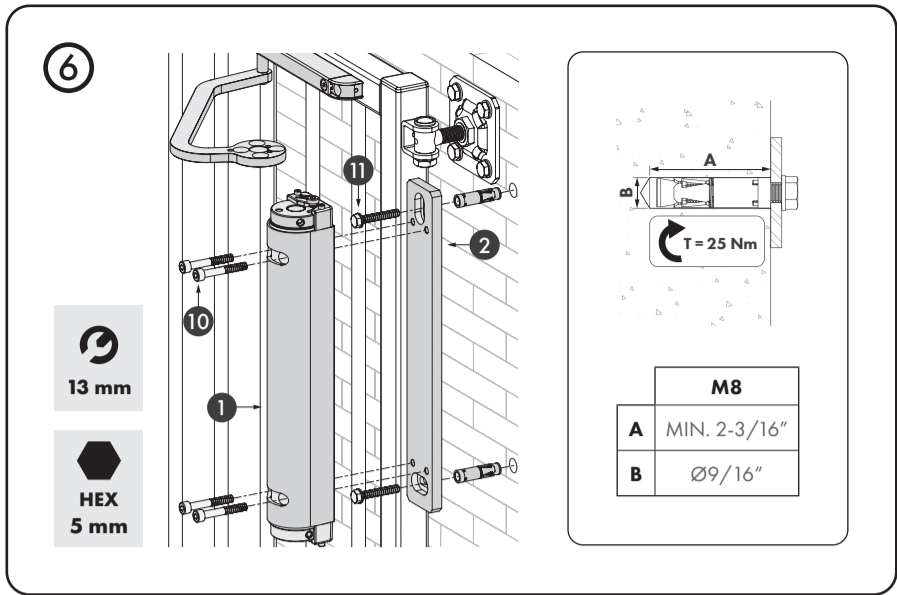
LIVE CHAT
www.locinoxusa.com

877-LOCINOX

helpusa@locinox.com

www.locinoxusa.com/verticlose-2wall





pictures@locinox.com

SUCCESSFUL INSTALLATION?
Please send us your pictures & videos

INSTALACION EXITOSA?
Por favor envíenos sus fotos y videos

LOCINOX
Let's make it better together

Doc. Nr.: MANU-000430

Locinox USA • 460 Windy Point Drive • Glendale Heights • IL 60139
Tel. 877-LOCINOX • E-mail: salesusa@locinox.com

M A N U - 0 0 0 4 3 0