

## VGA to BNC Converter

### VC-2VAQ

Up to 1024x768 Resolution

The **VC-2VAQ** converts your VGA signal to be viewed on any TV, projector, or other viewing device that uses a standard BNC connector. A VGA output allows simultaneous viewing on a VGA monitor.

The converter is compact and can be mounted nearly anywhere. For example, use the included VESA bracket for mounting on most VGA monitors.

### Features:

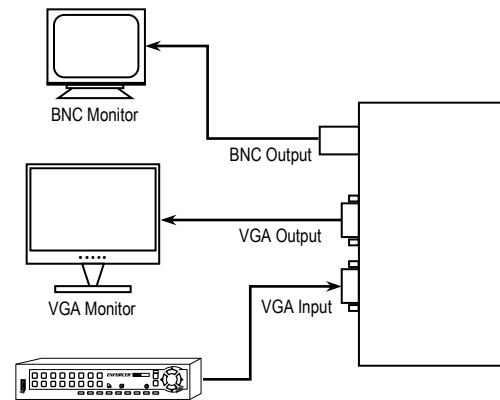
- Connect a DVR with VGA output to an existing monitor with BNC input
- Video standards: NTSC/PAL
- Auto configure resolution: Up to 1024x768 (up to 75Hz)
- Dual composite video (BNC) and VGA output ports
- On-screen display (OSD) for image adjustments including size, brightness, contrast, hue, saturation, sharpness, and more
- Quick installation – no driver or operating system requirements
- Gold-plated BNC connector for longer life
- Includes 5VDC power supply

### Specifications:

Model #	VC-2VAQ
Conversion type	VGA to BNC
Input signal	VGA
Output signal	VGA: 0.7 Vp-p RGB 15 pin female D-sub 1.0Vp-p, 75Ω BNC Composite
Current consumption	500mA@5VDC
Maximum resolution	1024x768
Power source	1A@5VDC, 2.5mm
Dimensions	4 <sup>13</sup> / <sub>16</sub> "x3 <sup>3</sup> / <sub>16</sub> "x1 <sup>1</sup> / <sub>16</sub> " (122x81x27 mm)
Weight	9.3-oz (265g)

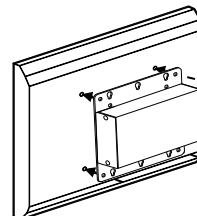


### Sample Application:



### VESA Mount:

Mount with 4 screws for monitors sitting in stands



Mount with 2 screws for monitors using mounting arms

