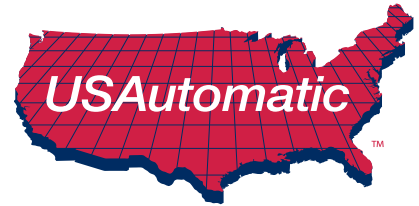


USAUTOMATIC ELECTRIC GATE LOCK

Part Number 070510



Installation Manual

The USAAutomatic Electric Gate Lock works with an automatic gate operator to securely lock the gate into position without having to get out of your vehicle. The USAAutomatic Electric Gate Lock is wired into the gate operator control box, so that when an input device such as a transmitter or keypad is used to open the gate, the USAAutomatic Electric Gate Lock disengages and the gate will open. When the gate closes, the gate lock automatically engages to secure the gate in the closed position.

The USAAutomatic Electric Gate Lock provides an extra level of protection.

In addition to protection, it provides stability for the gate by securely locking the gate into position, so that damaging effects, such as wind, are minimized. The result is the gate and automatic gate operator will stay in excellent working condition for a much longer time.

The USAAutomatic Electric Gate Lock Assembly works with most types of gates and mounting applications.

NOTE: In order for the USAAutomatic Electric Gate Lock to work properly, the gate must close firmly against the stop gate post or closed position stop plate. To achieve the desired closed position, you may need to slightly adjust the gate operator closed limit set points. Instructions for adjusting the closed limit set points are included in your automatic gate operator manual.

IMPORTANT: THIS LOCK IS DESIGNED FOR 12VDC CONTROL SYSTEMS. PLEASE NOTE OPERATING VOLTAGE IS 10VDC TO 14VDC

Electric Gate Lock Part Number 070510 Technical Information

Operating Voltage	10 vdc to + 14 vdc
Nominal Activation Current	< 250 milli amps
Duty Cycle	Intermittent
Construction	Steel Powder Coated Black Housing
Locking Mechanism	Spring Loaded self-latching
Min Recommended Supply Voltage Wire Gauge	18 gauge / .8 mm ²
Emergency Release Type	Removable Strike Pin
Installation Type	Bolt or Weld On Brackets
Periodic Service Recommendation	Lightly Grease Strike Pin
Temperature Range	-30 C to +85 C
Shipping Weight	10 lbs / 4.53 kilograms

PLEASE READ THE ENTIRE MANUAL CAREFULLY PRIOR TO INSTALLATION.

PARTS INVENTORY

1 Lock Housing
Part # 070660

2 Lock Mounting Bracket
Part # 070670

3 Strike Bracket
Part # 070680

4 Strike Pin with Clip
Part # 610516

5 3/8" X 2" Bolts
Part # 610508
4 per

6 3/8 x 4" Carriage Bolts
Part # 610506
2 per

7 3/8 x 6" Carriage Bolts
Part # 610504
2 per

8 3/8" Lock Nuts
Part # 610502
8 per

9 1/8" Allen Wrench
Part # 610500

10 7/8" Rubber Plugs
Part # 610501
2 per

11 Wire Nut
Part # 620018
2 per



GENERAL TOOL REQUIREMENTS

Tools required for most installations:

- Wrench – 9/16 inch
- Drill
- Pliers
- Hack saw
- Socket 3/8 inch
- Drill bits 1/8 and 3/8 inch
- Level
- Tape measure

Welding is the recommended method of securing the lock mounting plate and the strike bracket to the gate and hinge post. The Lock Housing should NEVER be welded. Internal parts can be damaged by excessive heat. Bolt on brackets are provided and are acceptable but may require frequent service to keep tight. They must be very securely attached (i.e. carriage bolts with lock nuts and washers).

IMPORTANT CAUTIONS:

During testing and operation, keep hands and fingers clear of moving parts of lock, gate and gate opener to avoid injury. Always wear protective eye wear during installation.



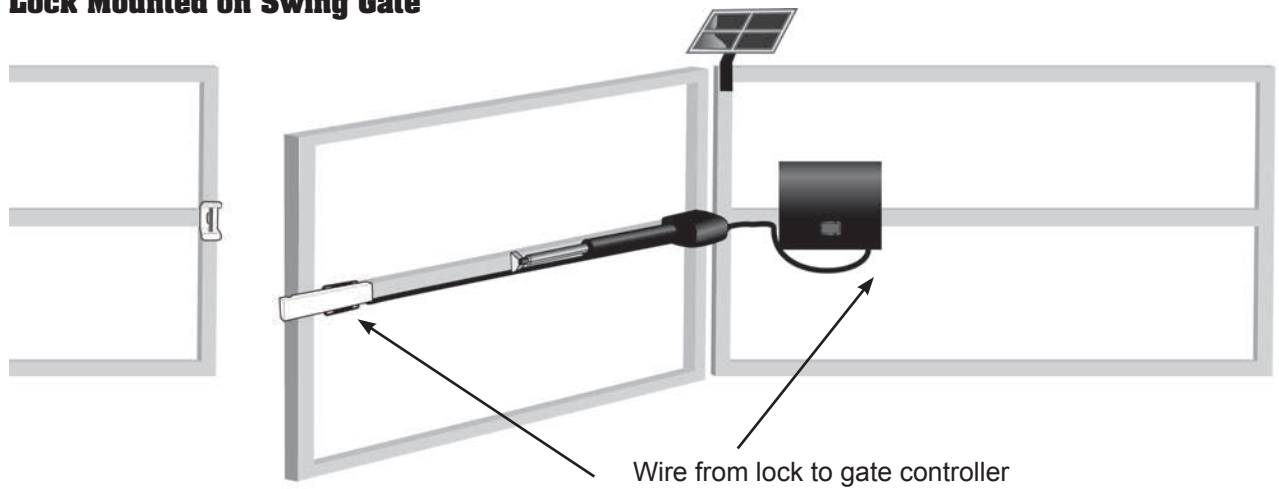
INSTALLATION EXAMPLES

These are the basic mounting instructions as there are so many variations in gates, sizes and types. The Electric Lock will adapt to almost any gate installation.

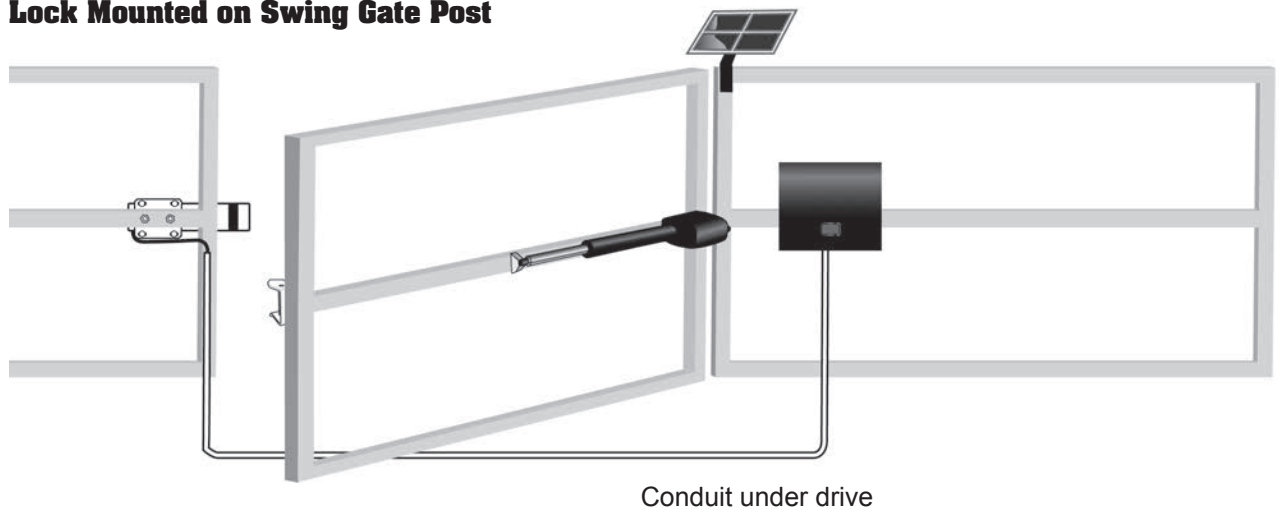
HORIZONTAL SWING GATE MOUNT

(Horizontal Mounting of Lock on Swing Gate with Pull to Open Swing Gate Opener)

Lock Mounted on Swing Gate



Lock Mounted on Swing Gate Post



INSTALLATION

Read and follow ALL instructions.

1 With a level, draw a horizontal line across center of fence rail and continue across to receptor post. Then draw a vertical line down the center of the receptor gate post creating a center reference point (+).

2 On receptor post, measure and mark vertical center line $\frac{3}{8}$ " above reference point (+) and $\frac{3}{8}$ " below reference point (+). Then on fence rail, horizontally measure and mark $6\frac{3}{4}$ " and $9\frac{1}{4}$ " from reference point (+) along horizontal line on fence rail.

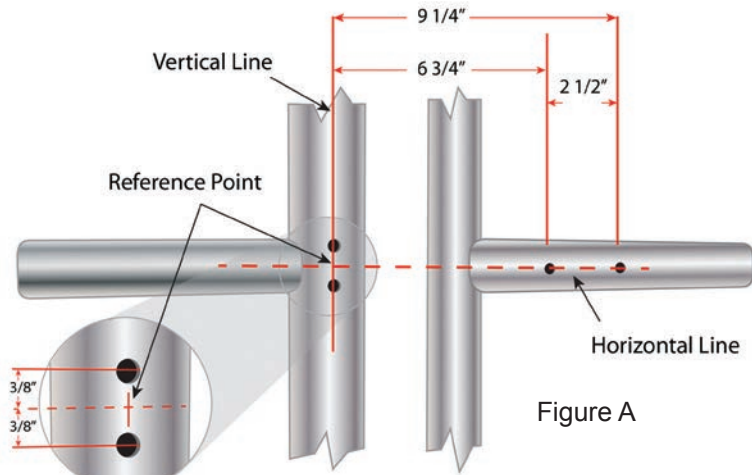


Figure A

3 Check measurements. If welding, use these reference points to locate the lock mounting bracket and strike bracket. If bolting, center punch these marks and drill pilot holes using $\frac{1}{8}$ " bit. (Fig A) Using a long $\frac{3}{8}$ " drill bit, and using the pilot holes as your guide, drill holes completely through post and fence rail (taking care to be as level and true as possible).

4 Mount the strike bracket without the strike pin to the receptor post using the two 6" carriage bolts and lock nuts supplied (to allow for adjustment, do not tighten completely). (Fig B)

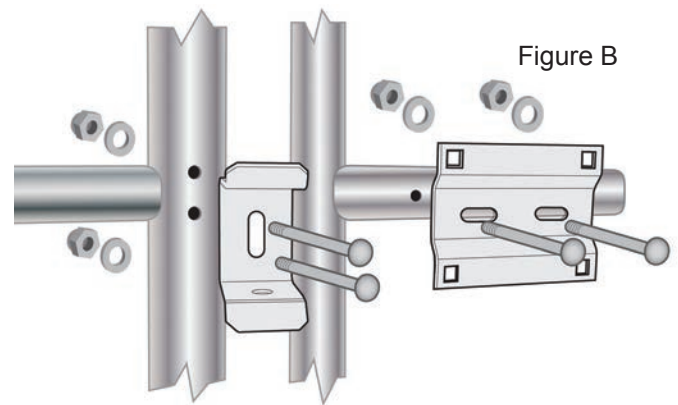


Figure B

5 Now install the lock mounting bracket on the center of the gate rail using the 4" carriage bolts and lock nuts supplied (again, do not tighten completely). (Fig B)

6 Before mounting the electric lock to the bracket, remove the bottom plug and the end cap (using the allen wrench supplied). Attach the Green (+) and Blue (-) wires to the wires leading to your gate opener control box. (Fig C)

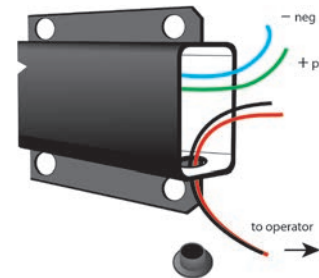


Figure C

Do not attach wires to operator yet!

7 Disconnect power to opener. On USAutomatic operators, remove motor plug(s) (X1 or X2) from control board.

8 Mount the Lock. Line up the holes on the mounting bracket with the four mounting holes on the lock body. Install the four 2" carriage bolts and tighten completely. You are now ready to test for binding. (Fig D)

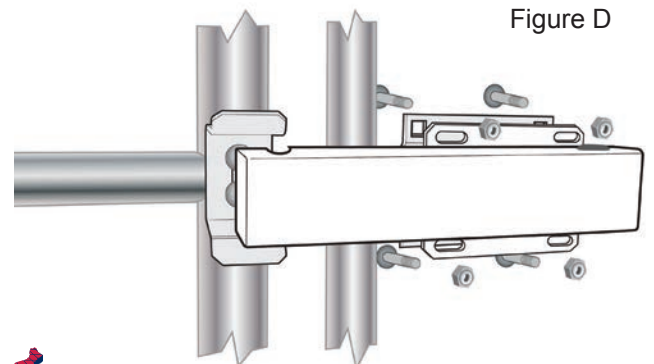


Figure D

9 Disconnect operator arm from gate.



⑩ Open and close gate by hand. If binding occurs, adjust the strike bracket and/or lock mounting bracket until the lock sits in the strike bracket without any binding. Check for alignment of strike pin with slot in the lock housing. (Fig. E) Fully tighten lock nuts on both brackets.

⑪ You are now ready to power the lock. Attach the two wires from the electric lock to those leading to the correct terminals on your operator board. (For USAutomatic openers, see Wiring Chart)

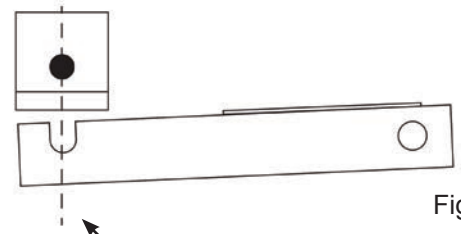


Figure E

Check Alignment

When using the electric lock with other brands of gate openers, it is important to note that the lock is designed for intermittent activation only. The electric lock only needs power upon opening. Power applied for extended periods of time will damage the electric lock.

Wiring Chart for USAutomatic Openers

Operator	Green Wire +	Blue Wire -	Switch
Patriot	J1 Solenoid Lock	Battery - Neg	DS2 #1 - On
Patriot RSL	J1 Solenoid Lock	Battery - Neg	DS2 #1 - On
Ranger	J2 Pin 4	Battery - Neg	DS1 #5 - On
Sentry	J2 Pin 7	Battery - Neg	DS1 #5 - On

You are now ready to test the lock for proper operation with the operator.

IMPORTANT! Keep hands clear of any Moving parts during powered operation or testing!

- ⑫ Re-connect operator arm.
- ⑬ Reconnect power to operator (motor plugs)
- ⑭ Initiate operator to open and visually observe lock to see if Lock Pin retracts during opening and extends during closing. **It is important that power is only applied during the opening cycle. All power to the electric lock should be off during the closing cycle or in the rest position.** If the lock retracts and extends properly, install strike pin with clevis clip or padlock.
- ⑮ Gate operator limit switches should be reset at this time if necessary to ensure proper lock closure. After all adjustments and tests have been completed, tighten nuts and cut off any excess bolt length.

The electric lock is now ready for full operation.



This page intentionally left blank



WARRANTY AND REPAIR INFORMATION

1 YEAR LIMITED WARRANTY

Limited Warranty Coverage

If your USAutomatic Electric Gate Lock, also referred to as the “Product”, does not work properly due to a defect in materials or workmanship, USAutomatic will, for the length of 1 year, which begins on the date of the original purchase, at its option either (a) repair your Product with new or refurbished parts, or (b) replace it with a new or refurbished Product. The repair or replacement of the Product will be made free of charge including parts, shop labor, and return to customer shipping and handling.

In all cases, the decision to repair or replace will be made by USAutomatic. Included shop labor does not apply to removal or installation of the Product on purchaser’s home or premises. Product must be shipped, at purchaser’s expense, to USAutomatic during the applicable Warranty period. The Warranty excludes both parts and labor for cosmetic parts such as product housing and paint finishes. The Limited Warranty only applies to Products purchased in the United States and is extended only to the original purchaser of a new product that was not sold “as is” or as surplus.

Limited Warranty Service

For assistance in the continental U.S.A. in obtaining the benefit of the Limited Warranty please carefully follow these steps:

1. Contact USAutomatic customer service 1-888-204-0174. Please have the model number of the Product available to give to the customer service representative. The customer service representative will provide further assistance or authorize repair or replacement, as appropriate.
2. If repair or replacement is appropriate, you will be given a return authorization number (RMA#). This RMA# must be visible on all documents and packages returned to US Automatic.
3. Carefully pack the defective Product or Product part in a sturdy shipping carton, include (1) a letter detailing the problem, (2) a daytime phone number where you can be reached, (3) your name and address for any return, (4) your sales receipt/proof of purchase, and (5) the RMA# on all correspondence and the shipping carton.
4. Prepay the freight and insure the defective Product or Product parts against shipping damage. Note that defective Products or Products parts shipped freight collect will not be accepted.
5. Ship the carton to USAutomatic,LTD,118 Hillside Drive, Lewisville, Texas 75057, or where directed by the customer service representative.



