

SLIDEDRIVER II INTERNAL SOLENOID LOCK

HySecurity offers an optional internal solenoid-operated dead-bolt lock that employs a $\frac{3}{4}$ in (19 mm) stainless-steel lock pin that fits into a notch cut into the flanged drive rail. The solenoid lock is voltage specific; either 120VAC or 208-240VAC. If the gate operator voltage is modified, make sure the solenoid lock is also changed. An internal indicator switch, which may be required in some installations, verifies whether the bolt is in the locked or unlocked position.

Note: The standard grooved drive rail does not accommodate the solenoid lock mechanism. If you plan to use a solenoid lock, be sure to order the appropriate flanged drive rail.

PARTS

- Solenoid lock (voltage specific)
- Solenoid contactor

HARDWARE

- $\frac{5}{16}$ -18 x $\frac{3}{4}$ in HHCS
- $\frac{3}{8}$ in lock washer
- $\frac{3}{8}$ in washer

TOOLS

- Permanent marker
- Hacksaw
- $\frac{1}{2}$ in open-end wrench

PREPARE THE OPERATOR

1. Remove the cover.
2. Set the power switch to OFF.

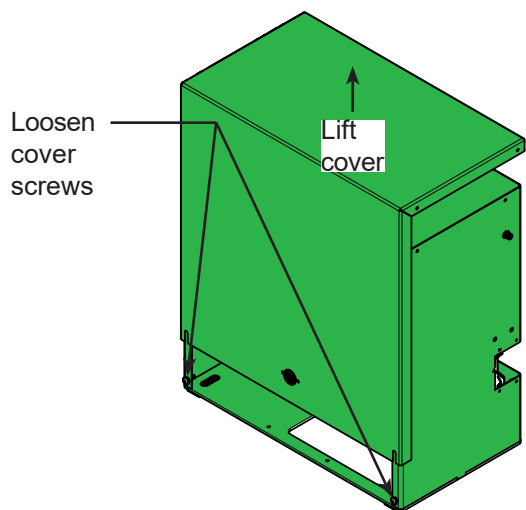


Figure 1. Remove the Cover

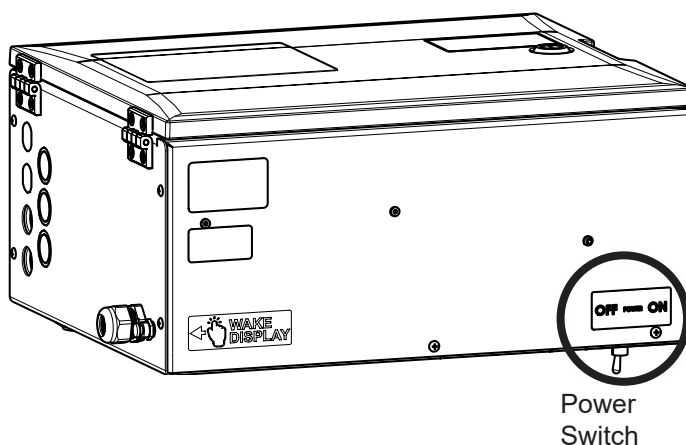


Figure 2. Set Power Switch to OFF

SOLENOID LOCK INSTALLATION AND ADJUSTMENT

The solenoid lock housing may need to be adjusted; the face of the solenoid lock housing is slotted to accommodate this adjustment. To adjust the solenoid lock height:

3. Install the solenoid lock using the included hardware and a $\frac{1}{2}$ in open-end wrench, but do not tighten all the way (Figure 3).
4. Move the housing up or down so that the dead-bolt aligns with the center of the vertical edge of the drive rail.
5. Tighten the bolts.

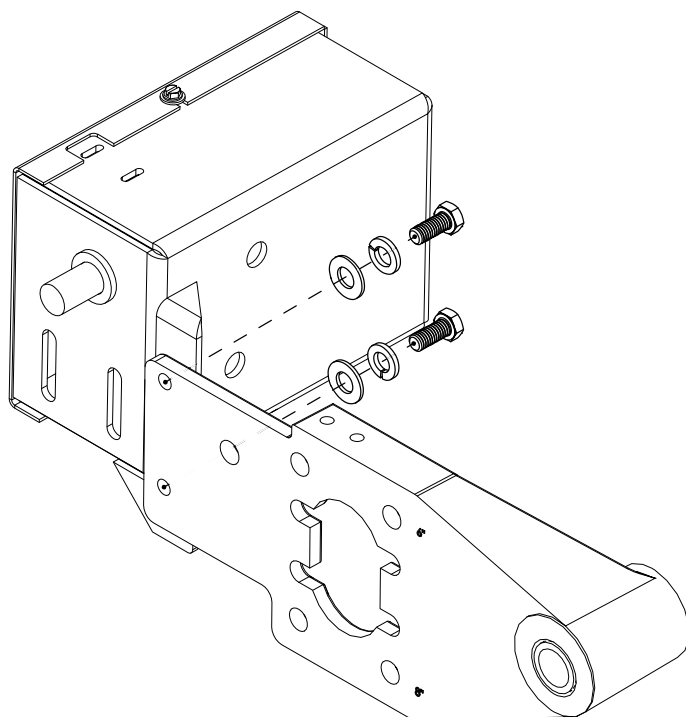


Figure 3. Install Solenoid Lock

SLIDEDRIVER II INTERNAL SOLENOID LOCK

DRIVE RAIL PREPARATION

See “Flanged Drive Rail and Limit Flags” on page 28 in the SlideDriver II Digital Installation manual for flanged drive rail installation. Operators equipped with our factory solenoid lock require a notch to be cut into the outer vertical face of the flanged drive rail. The notch location is determined in the field after the gate operator is functioning properly. To prepare the flanged drive rail:

6. Run the gate to its fully-closed position and note the location where the dead-bolt strikes the drive rail.
7. Mark a 3 in (76 mm) wide slot in the drive rail with the dead-bolt in the center.
8. Using a hacksaw, make two cuts and then break out the notched section (Figure 4).
9. Operate the gate a few times after programming to verify that the dead-bolt always enters the notched area.

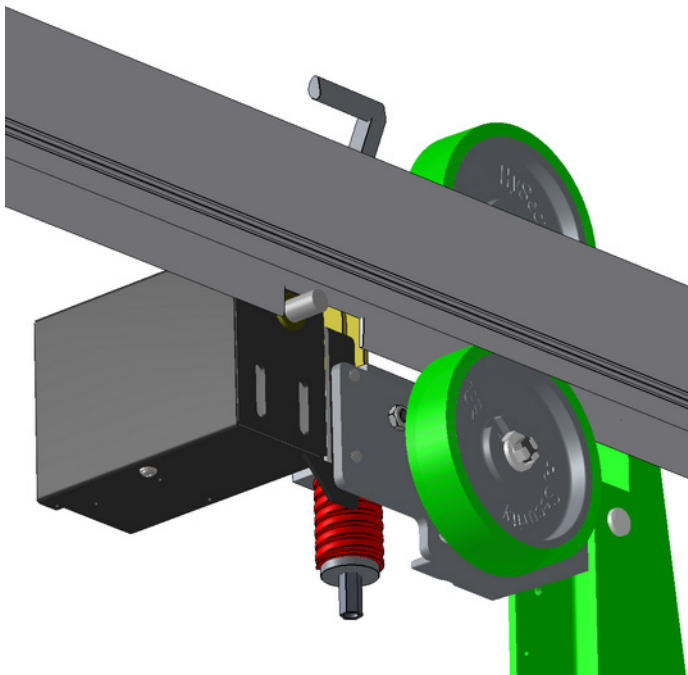


Figure 4. Prepare Drive Rail and Check Alignment

CONNECT SOLENOID LOCK TO SMARTTOUCH 720/725 CONTROLLER (FIGURE 6 AND FIGURE 7)

10. Install the solenoid contactor
11. Connect the solenoid contactor to the power supply or motor contactor: L1 to L1 and L2 to L2.
12. Connect the red and black solenoid wires to the solenoid contactor NO terminals.
13. Connect solenoid contactor A1 to any open Input or Relay +24V terminal. DO NOT use Sensor +24V terminals.
14. Connect solenoid contactor A2 to NO on Relay 1.
15. Connect COM on Relay 1 to any available Input COM terminal. DO NOT use Sensor COM terminals.

PROGRAM THE SMARTTOUCH 720/725 CONTROLLER FOR SOLENOID LOCK OPERATION (FIGURE 5)

16. Set the power switch to ON.
17. Press MENU on the SmartTouch 720/725 Controller.
18. Use the UP or DOWN button to navigate to USER RELAY OUTPUTS and press select.
19. Use the UP or DOWN button to navigate to RELAY 1 LOGIC and press SELECT.
20. Use the arrow buttons to navigate to 6 GATE LOCK and press SELECT.
21. Press BACK until gate status display appears.

Note: Relay 1 can handle up to 240VAC for external power source use.

Note: The green, white, and orange solenoid lock wires and the terminal strip are for use with 3rd party devices such as a status indicator.

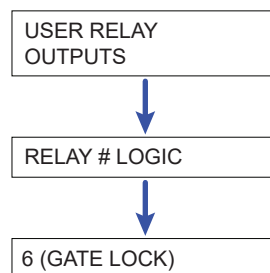


Figure 5. Program SmartTouch 720/725 Controller Relay

SLIDEDRIVER II INTERNAL SOLENOID LOCK

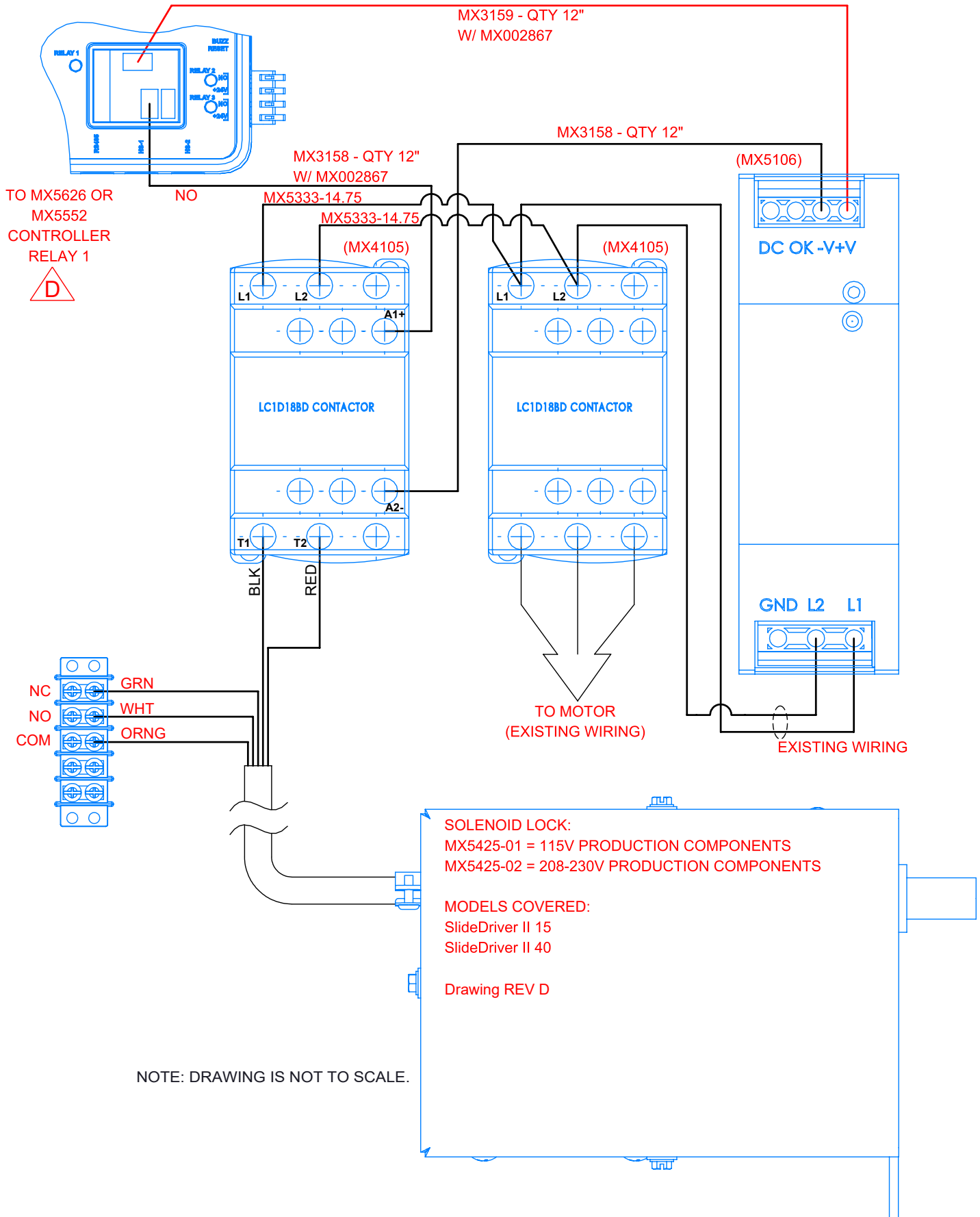


Figure 6. Connect Solenoid Lock to SmartTouch 720/725 Controller, SD15 and SD40

SLIDEDRIVER II INTERNAL SOLENOID LOCK

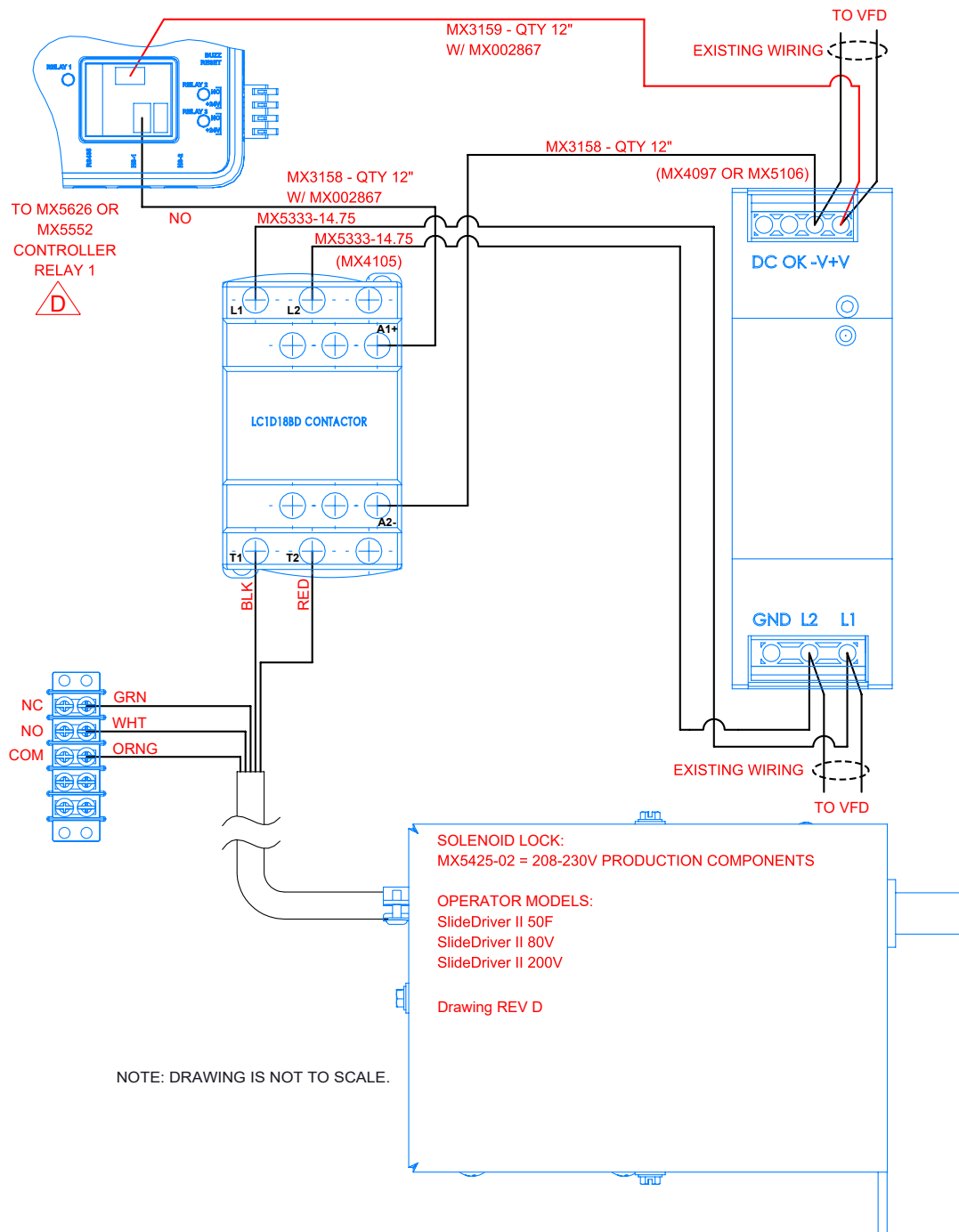


Figure 7. Connect Solenoid Lock to SmartTouch 720/725 Controller, SD50F, SD80V, SD200V