

SLIDEDRIVER II HEATER

The following instructions are intended to assist the user in the installation of the heater unit for use on the SlideDriver II gate operators. The heater prevents components from freezing and not operating properly. Please read all assembly instructions before installing the kit.

PARTS

- Heater strip
- Heater cord
- Romex connector
- Cover plate
- Thermal switch
- Heater contactor

HARDWARE

- ¼-20 x 1 in bolt
- ¼ in washers
- 7/16 in nuts
- 8-32 x ½ in self-tapping screw

TOOLS

- Standard wrenches
- #29 drill bit (0.136 in)

PREPARATION

1. Remove cover.
2. Set the power switch to OFF.
3. Carefully unclamp the drive wheels.
4. Remove the SmartTouch 720/725 Controller.
5. Drill a #29 (0.136 in) hole in the back of the electrical enclosure (Figure 3).
6. Install the thermal switch in the hole and fasten with two 8-32 x ½ in self-tapping screws (Figure 4).

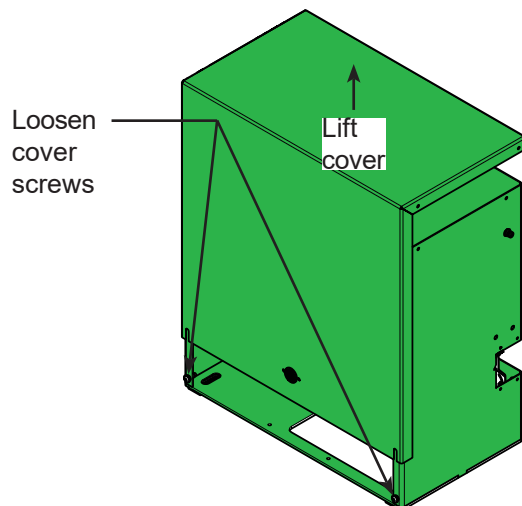


Figure 1. Remove the Cover

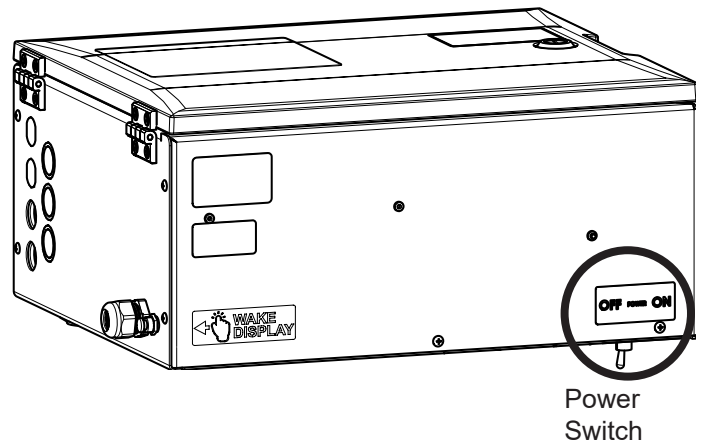
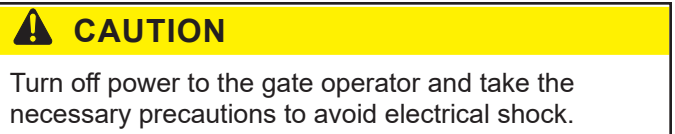


Figure 2. Set Power Switch to OFF

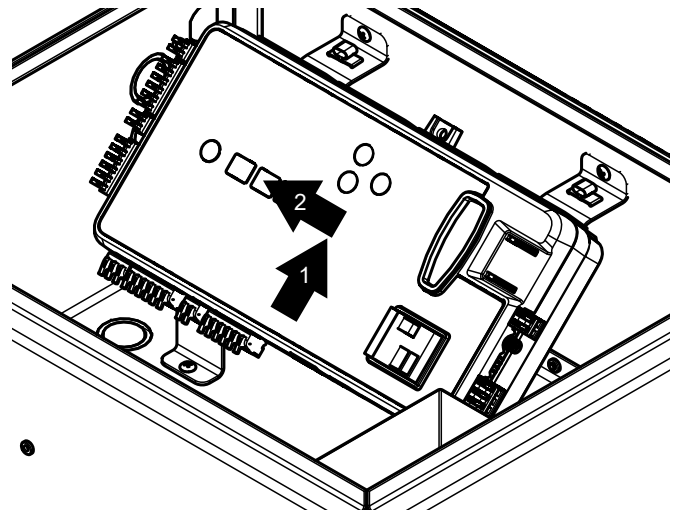


Figure 3. Remove SmartTouch 720/725 Controller

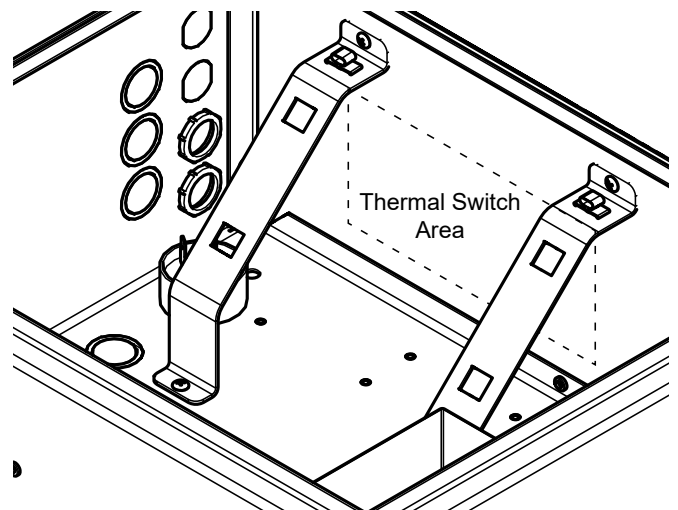


Figure 4. Install Thermal Switch

SLIDEDRIVER II HEATER

INSTALL THE HEATER

7. Remove the two 1/4 in bolts attached to the pin tabs.
8. Remove the pins. Lift the pivot arms to make the pins easier to remove (Figure 5).

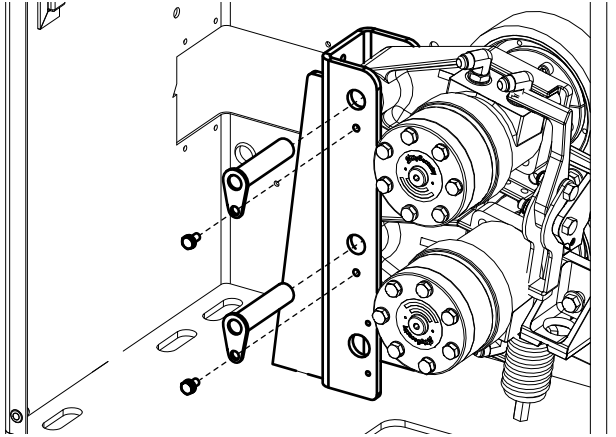


Figure 5. Remove Pivot Arm Pins

9. Slide the two pivot arms and motors out as a complete unit (Figure 6).

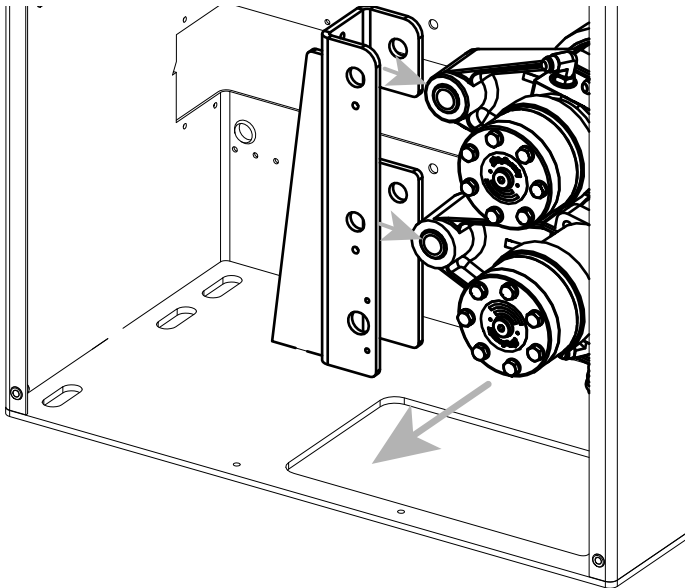


Figure 6. Remove Pivot Arm Assembly

10. Install the heater strip vertically in the drive post with the terminals down and facing out with the 1/4-20 x 1 in bolts (Figure 7).

Note: Use a flat washer on the outside of the drive post and a flat washer on the inside of the drive post as a stand off keeping the heater strip from contacting the paint of the drive post. Complete the mounting by adding the 7/16 in nuts.

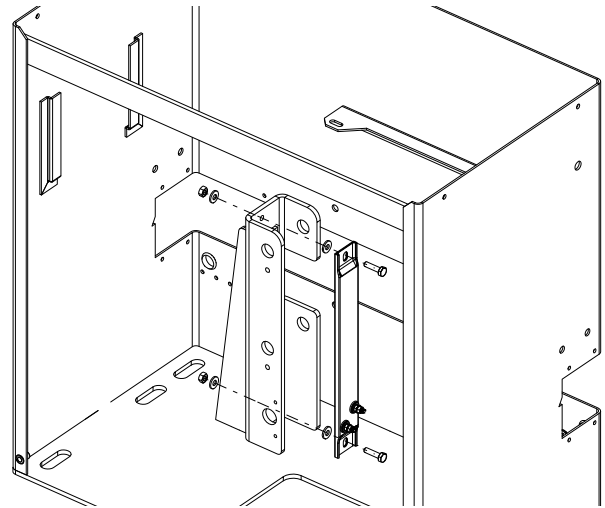


Figure 7. Install Heater Strip

HEATER WIRING (FIGURE 10 AND FIGURE 11)

11. Connect the heater cord to the heater strip; be sure to bend the terminals up so that they contact no metal surfaces.
12. Use the romex connector and lock washer and route the heater cord through the bottom hole in the pivot post (Figure 8).
13. Take the romex connector and tighten it down onto the heater cord.
14. Install the cover plate with two 8-32 screws (Figure 9).

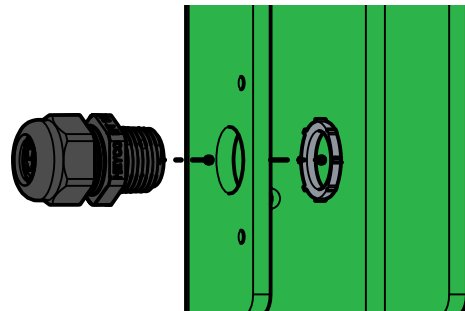


Figure 8. Strain Relief

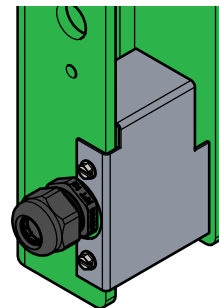


Figure 9. Strain Relief and Cover

15. Take the heater cord up to the electrical box and run it through one of the knockouts. Use the plastic cord connectors to attach to the panel wall.
16. Install the heater contactor in the electrical box and connect the heater contactor to the power supply or motor contactor: L1 to L1 and L2 to L2.
17. Connect one lead of the heater cord to terminal T1 of the heater contactor and connect the other to T2.
18. Install thermal switch to power supply -V and heater contactor A2.
19. Connect power supply V+ to heater contactor A1.

FINISH INSTALLATION

20. Clean any debris from drilling the thermal switch hole.
21. Install the SmartTouch 720/725 controller on the mounting brackets and reconnect any disconnected wires.
22. Reinstall the pivot arms and pins.
23. Carefully clamp the drive wheels.
24. Set the power switch to ON and test cycle the gate.
25. Close the electrical box and install the cover.

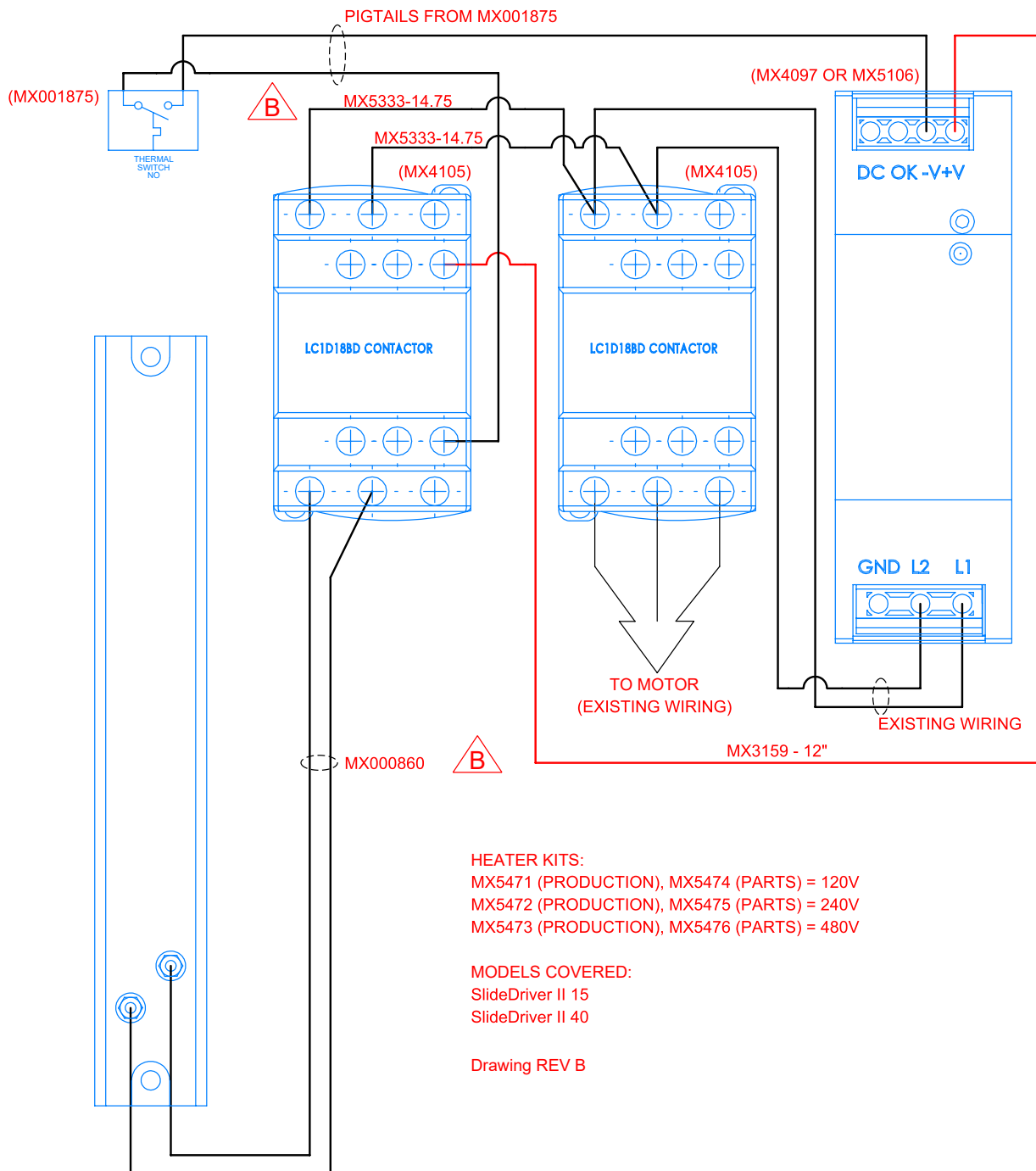


Figure 10. Heater Strip Wiring, non-VFD

SLIDEDRIVER II HEATER

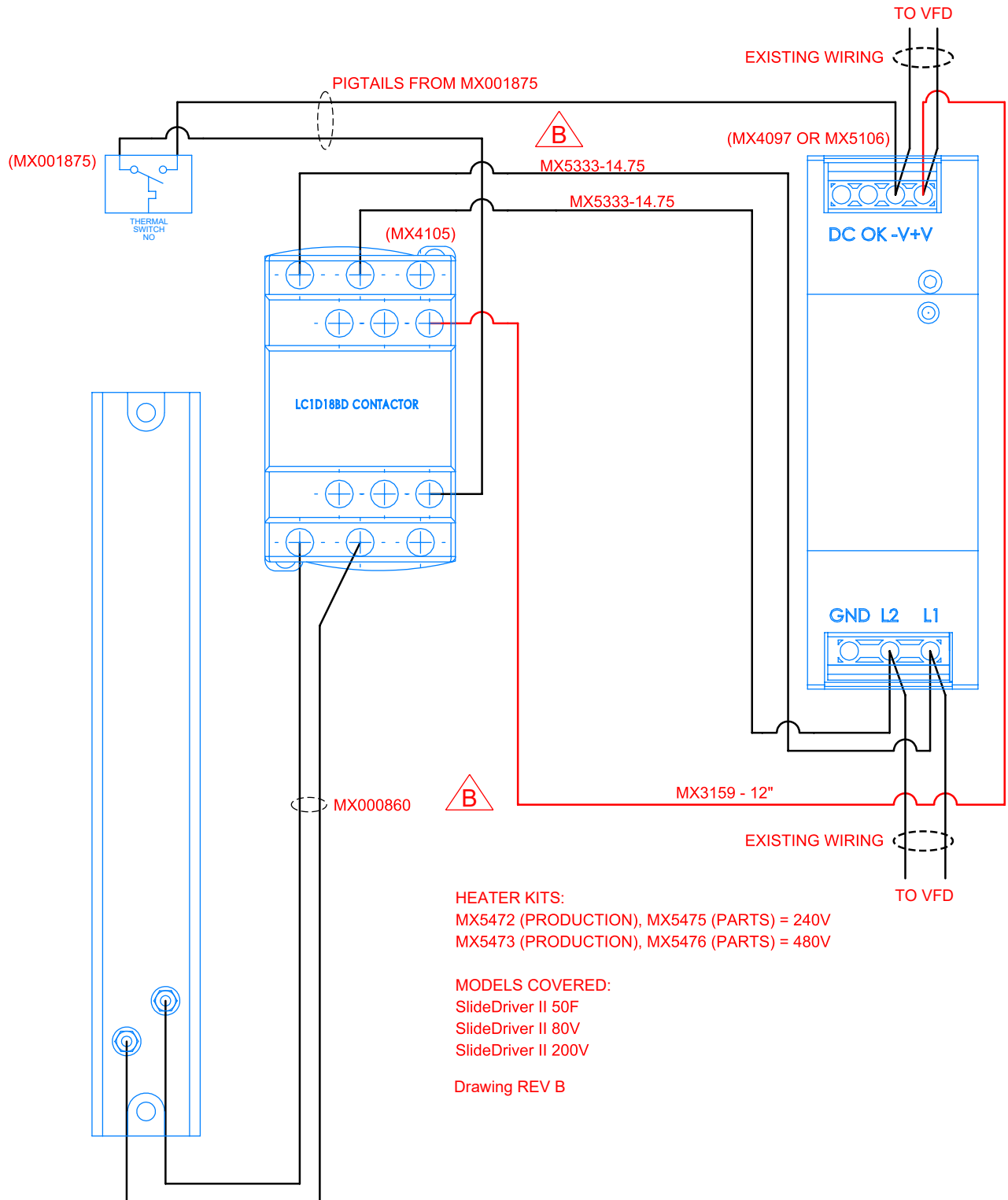


Figure 11. Heater Strip Wiring, VFD