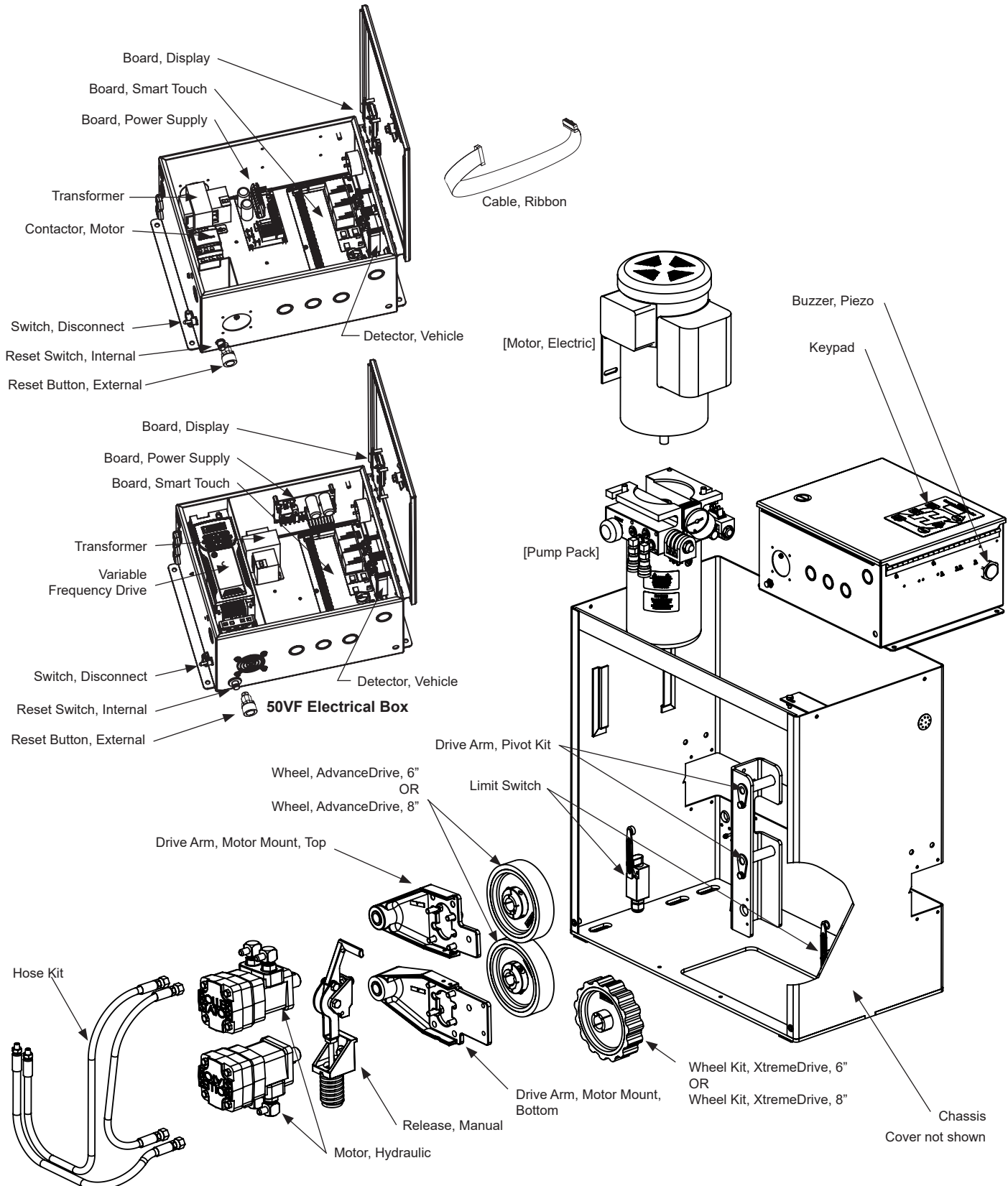




## Chassis, Drive & Electrical, 15, 30F, 40, 50VF2/3, 80 (SS, EX1.7, E, X3, X1)



This drawing is a representation and should be used for parts reference only.

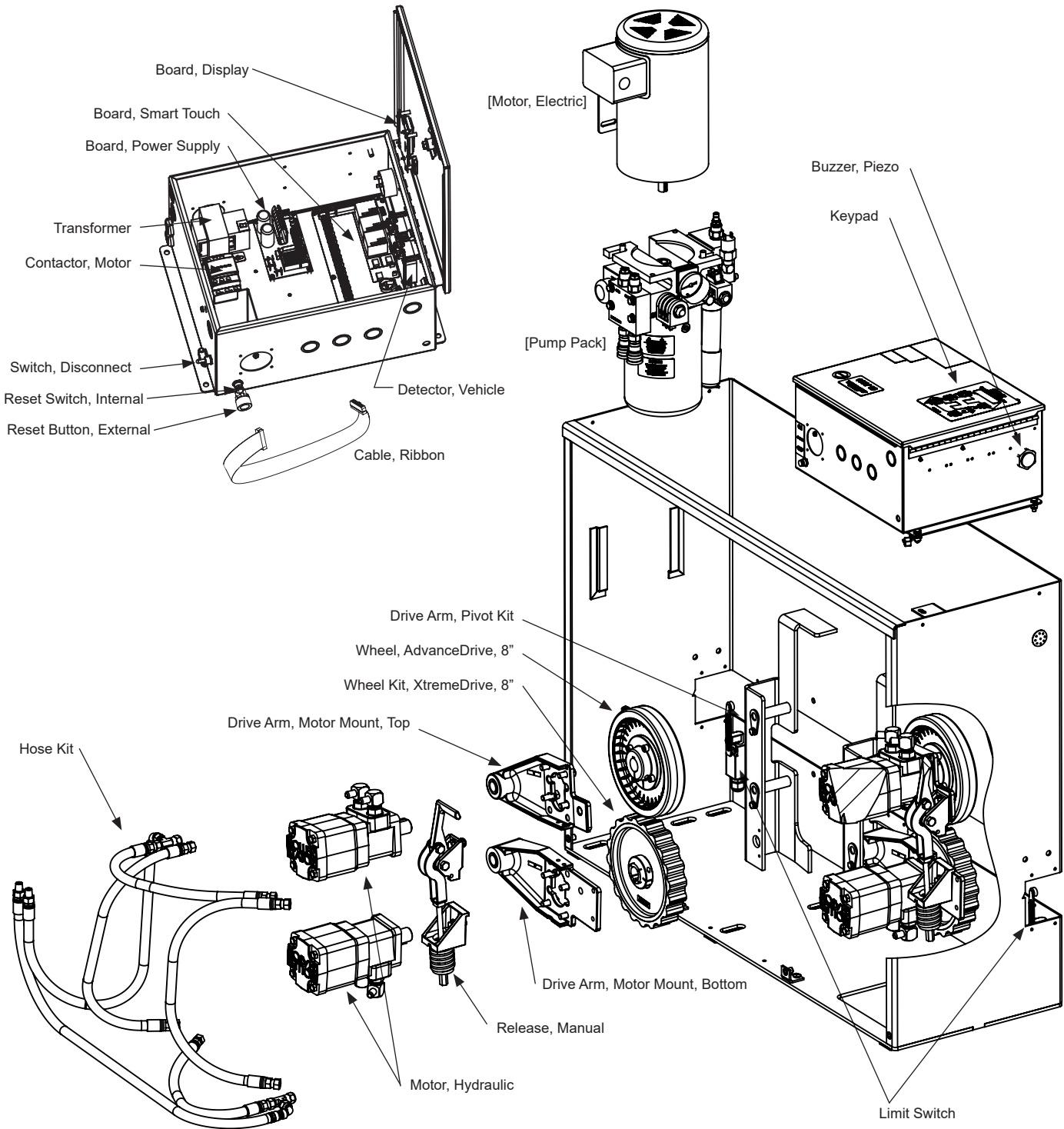


## Chassis, Drive & Electrical, 15, 30F, 40, 50VF2/3, 80 (SS, EX1.7, E, X3, X1)

Part Name	Part Number	SlideDriver 15, 30F, 40, 50VF2/3, 80 Models
Board, Display	MX3356	all
Board, Power Supply, AC	MX000487	all AC
Board, Power Supply, DC	MX000369	all DC
Board, Smart Touch Controller	MX000585-0	all
Buzzer, Piezo	MX001036	all
Cable, Ribbon, LCD	MX000046	all
Chassis, Replacement	MX000496	all standard
Contact, Motor	MX000485	all AC except 50VF2/3 (X2/3)
Cover, Correctional	MX000456	correctional facilities models
Cover, Standard	MX000455	all standard
Detector, Vehicle, Hy5B™	MX4621	all
Drive Arm, Motor Mount, Bottom	MX000386	all
Drive Arm, Motor Mount, Top	MX000387	all
Drive Arm, Pivot Kit	MX001105	all
Hose Fittings, 3/8 inch hose	MX001574	all Modular (333), see parts listing for important ordering information
Hose Kit, 3/8 inch w/QD, 3 lengths, SlideDriver 50VF2/3, 80	MX4289	50VF2/3, 80
Hose Kit, 1/4 inch w/QD, 3 lengths, SlideDriver 15, 30F, 40	MX001129	15, 30F, 40
Hose Kit, 3/8 inch, 22 inch, SlideDriver Modular	MX001732	all Modular (333)
Hose, 3/8 inch	MX001113	all Modular (333), see parts listing for important ordering information
Keypad, Smart Touch Controller	MX3399	all
Limit Switch Assembly, Slowdown	MX000608	50VF2/3 (X2/3)
Limit Switch with Cable	MX000672	all
Motor, Hydraulic, RS-10 inch, Standard	MX4752	15, 40, 30F, 40F, 50VF2/3 (SS, E, EX1.7, EX, X2/3)
Motor, Hydraulic, RS-24 inch, SlideDriver 80/200	MX4849	80 (X1)
Release, Manual, Toggle Assembly	MX001103	all
Reset Button, External	MX001216	all
Reset Switch, Internal	MX002124	all
Switch, Disconnect	MX000715	all
Transformer, 24VAC Output, 75VA, 60/50Hz	MX001249	575VAC only
Transformer, 24VAC Output, 75VA, 60Hz	MX000486	all 60Hz AC except 575VAC
Variable Frequency Drive Unit (VFD), Modbus, 208-230VAC, 50/60Hz, 1Ø/3Ø	MX4210	All 50VF2/3 after 8/1/2017
Variable Frequency Drive Unit (VFD), Modbus, 380-460VAC, 50/60Hz, 3Ø	MX4211	All 50VF2/3 after 8/1/2017
Wheel, AdvanceDrive, 6 inch	MX002707	15, 30F, 40 (SS, EX1.7, E), replacement for MX000689
Wheel, AdvanceDrive, 8 inch	MX3132	40F, 50VF2/3 (X2/3) (optional), 80
Wheel, AdvanceDrive, Replacement, 6 inch	MX4994	15, 30F, 40 (SS, EX1.7, E), replacement wheel for AdvanceDrive hub
Wheel, AdvanceDrive, Replacement, 8 inch	MX5223	40F, 80, 50VF2/3 (X2/3)
XtremeDrive Wheel Kit, 6 inch	MX5349	15, 30F, 40 (SS, EX1.7, E) (optional)
XtremeDrive Wheel Kit, 8 inch	MX5350	80 (X1) after 5/27/2012 or 8" retrofit



## Chassis, Drive & Electrical, 200 (444 XS)



This drawing is a representation and should be used for parts reference only.

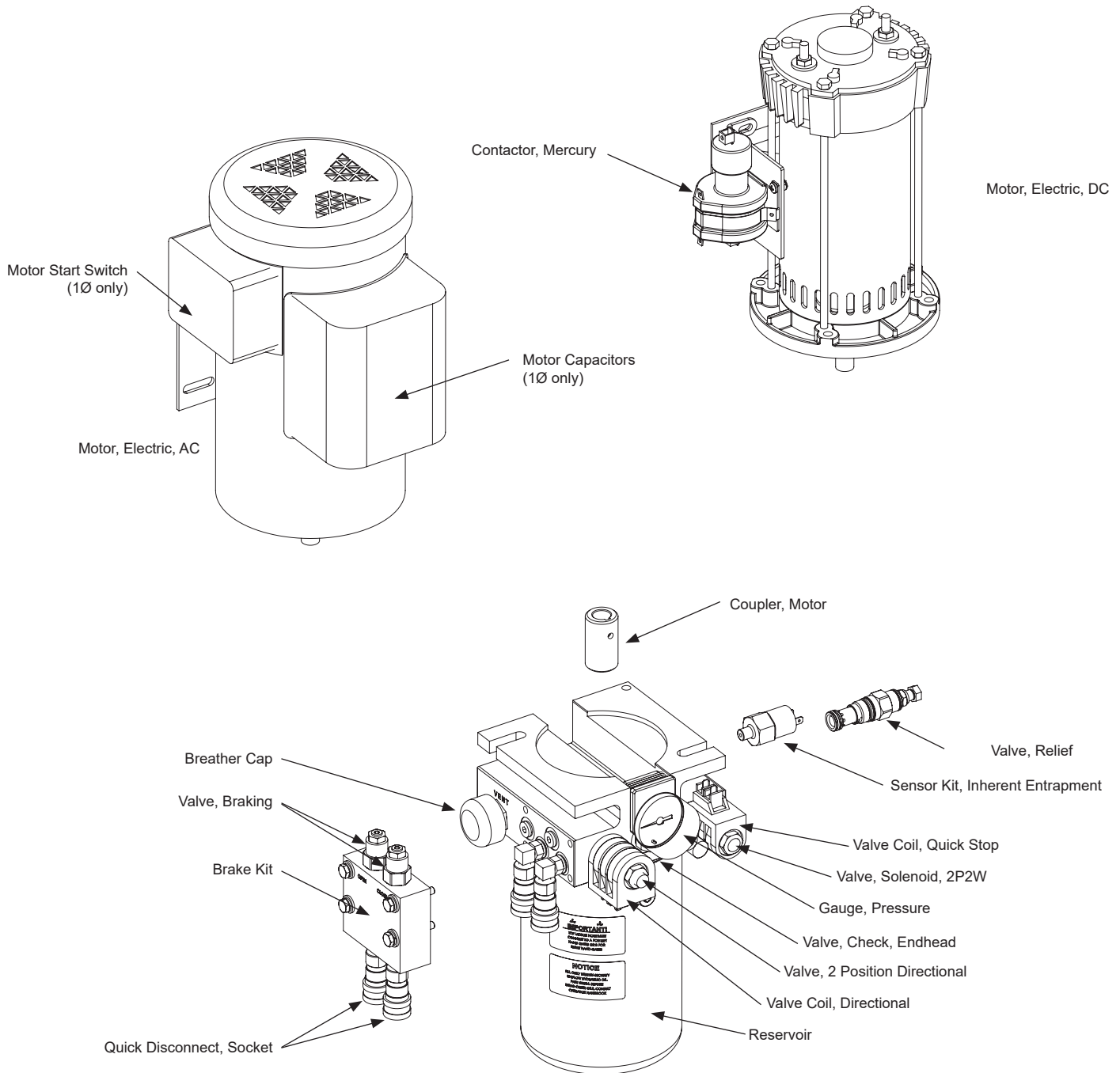


## Chassis, Drive & Electrical, 200 (444 XS)

Part Name	Part Number	SlideDriver 200 Models
Board, Display	MX3356	all
Board, Power Supply, AC	MX000487	all AC
Board, Power Supply, DC	MX000369	all DC
Board, Smart Touch	MX000585	all
Buzzer, Piezo	MX001036	all
Cable, Ribbon, LCD	MX000046	all
Contact, Motor	MX000485	all 200 except single phase 230V
Detector, Vehicle, Hy5B™	MX4621	all
Drive Arm, Motor Mount, Bottom	MX000386	all
Drive Arm, Motor Mount, Top	MX000387	all
Drive Arm, Pivot Kit	MX001105	all
Hose Kit, 5 Hoses, SlideDriver 200	MX4323	200 (444)
Hose Kit Replacement, SlideDriver 200	MX4578	all after 12/1/2018
Keypad, Smart Touch Controller	MX3399	all
Limit Switch with Cable	MX000672	all
Motor, Hydraulic, RS-24 inch, SlideDriver 80/200	MX4849	all
Release, Manual, Toggle Assembly	MX001103	all
Reset Button, External	MX001216	all
Reset Switch, Internal	MX002124	all
Switch, Disconnect	MX000715	all
Transformer, 24VAC Output, 75VA, 60/50Hz	MX001249	575VAC only
Transformer, 24VAC Output, 75VA, 60Hz	MX000486	all 60Hz AC except 575VAC
Wheel, AdvanceDrive, 8 inch	MX3132	all
Wheel, AdvanceDrive, Replacement, 8 inch	MX5223	all
XtremeDrive Wheel Kit, 8 inch	MX5350	200 (444) after 6/1/2012 or retrofit



## Pump Pack 15, 40, 50VF2/3 (SS, E, X3)



This drawing is a representation and should be used for parts reference only.



## Pump Pack 15, 40, 50VF2/3 (SS, E, X3)

Part Name	Part Number	SlideDriver 15, 40, 50VF2/3 Models
Brake Kit, SlideDriver 30F, 40	MX000137	30F, 40
Brake Kit, SlideDriver 50VF2/3, 80, 200	MX000143	50VF2/3, 80, 200
Brake Kit, SlideDriver Modular	MX001576	all Modular (M)
Breather Cap	MX000686	all
Contact, Mercury	MX001098	all DC
Coupler, Motor, 5/8 inch Shaft, 6T	MX002054	all*
Coupler, Motor, 5/8 inch Shaft, 9T, Old	MX001650	all*
Gauge, Pressure, 2000 PSI, Kit	MX001106	all
Motor Start Switch, 3/4 hp, 1 hp and 2 hp	MX3402	all AC 60Hz 1Ø
Motor, Electric, 24VDC, 2 hp	MX001647	15 UPS, 40 UPS, (DS, DE) 24VDC
Motor, Electric, 60Hz, 1 hp, 1Ø, 3450 RPM, 115/208/230VAC	MX001911	15, 40 (SS, E) 115/208/230VAC 60Hz 1Ø
Motor, Electric, 60Hz, 1 hp, 3Ø, 3450 RPM, 208-230/460VAC	MX001636	15, 40 (SS, E) 208/230/460VAC 60Hz 3Ø
Motor, Electric, 60Hz, 1 hp, 3Ø, 3450 RPM, 575VAC	MX001667	15, 40 (SS, E) 575VAC
Motor, Electric, 60Hz, 2 hp, 3Ø, 3450 RPM, 208-230/460VAC	MX001638	50VF2/3 (X3)
Pump Pack, SlideDriver 15	MX001943	15, 15 UPS (SS, DS), 60Hz and DC
Pump Pack, SlideDriver 40	MX001944	40, 40 UPS (E, DE), 60Hz and DC
Pump Pack, SlideDriver 50VF2/3, 60/50Hz (pre 2017 models)	MX001977	50VF2/3 (X3)
Pump Pack, SlideDriver 50VF2/3, 60/50Hz	MX4191	50VF2/3 (X3)
Quick Disconnect, Socket, 1/8 inch	MX000169	all
Quick Disconnect, Socket, 1/4 inch	MX000201	50VF2/3 (X3)
Quick Disconnect, Plug, 1/4 inch	MX000202	50VF2/3 (X3)
Reservoir, 4 Qt	MX000161	all
Sensor Kit, Inherent Entrapment	MX000091	all
Valve Coil, Directional, 24VDC	MX000184	all
Valve Coil, Quick Stop, 24VDC	MX000185	all except 50VF2/3 (X3)
Valve, 2 Position Directional	MX000172	all
Valve, Brake	MX000657	all except 15 (SS, DS)
Valve, Check, Endhead Main	MX000171	all
Valve, Relief, 1500 PSI	MX000658	all except 50VF2/3 (X3)
Valve, Relief, 3000 PSI	MX000174	50VF2/3 (X3)
Valve, Solenoid, 2P2W	MX000173	all except 50VF2/3 (X3)

Pump pack parts usage equivalent models:

15 applies to 15-M (333 MS)

40 applies to 40-C (222 CE), 40-M (333 E), 40-CM (333 CE)

15 UPS applies to 15-M UPS (333 DS)

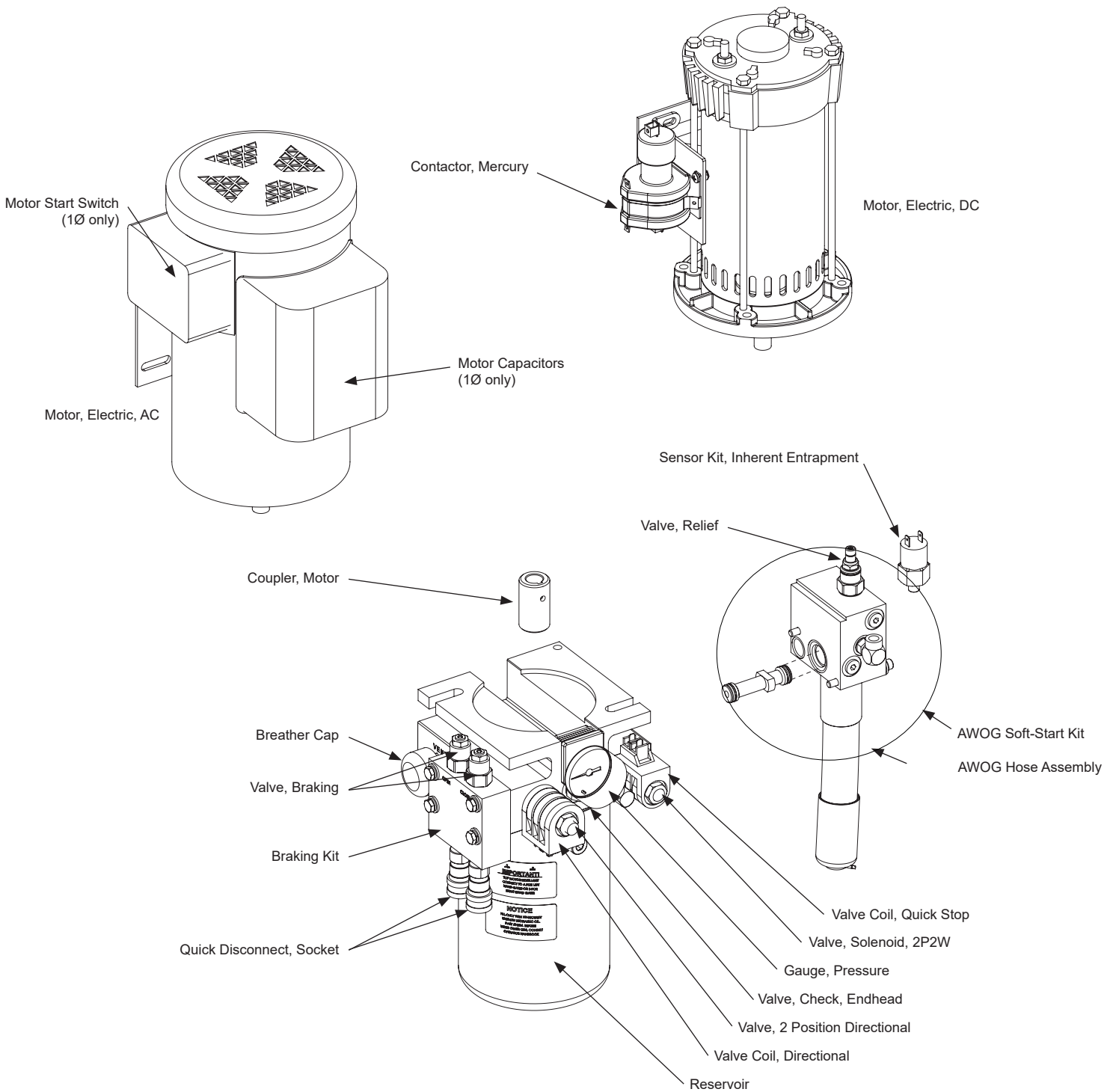
40 UPS applies to 40-C UPS (222 DCE), 40-M UPS (333 DE), 40-CM UPS (333 DCE)

Call for 50Hz motors and pump packs.

\* Use MX002054 for operators manufactured after 6/1/2009, MX001650 for operators with pump packs manufactured before 6/1/2009.



## Pump Pack 30F, 80, 200 (EX1.7, X1, 444 XS)



This drawing is a representation and should be used for parts reference only.



## Pump Pack 30F, 80, 200 (EX1.7, X1, 444 XS)

Part Name	Part Number	SlideDriver 30F, 80, 200 Models
AWOG, Face Down	MX000618	30F, 40F, 80, 200 (EX1.7, EX, X1, 444)
AWOG, Soft-Start Kit, Face Down	MX001276	30F, 40F, 80 (EX1.7, EX, X1)
Brake Kit, SlideDriver 30F, 40	MX000137	30F, 40
Brake Kit, SlideDriver 50VF2/3, 80, 200	MX000143	50VF2/3, 80, 200
Brake Kit, SlideDriver Modular	MX001576	all Modular (M)
Breather Cap	MX000686	all
Contact, Mercury	MX001098	all DC
Coupler, Motor, 5/8 inch Shaft, 6T	MX002054	all*
Coupler, Motor, 5/8 inch Shaft, 9T, Old	MX001650	all*
Gauge, Pressure, 2000 PSI, Kit	MX001106	all
Motor Start Switch, 3/4 hp, 1 hp and 2 hp	MX3402	all AC 60Hz 1Ø
Motor, Electric, 24VDC, 2 hp	MX001647	30F UPS, 40F UPS, 80 UPS (DX1.7, DX, DX1) 24VDC
Motor, Electric, 24VDC, 4 hp	MX001648	200 UPS (444DX) 24VDC
Motor, Electric, 60Hz, 2 hp, 1Ø, 3450 RPM, 208/230VAC	MX001912	30F, 40F, 80 (EX1.7, EX, X1) 208/230VAC 60Hz 1Ø
Motor, Electric, 60Hz, 2 hp, 3Ø, 3450 RPM, 208-230/460VAC	MX001638	30F, 40F, 80 (EX1.7, EX, X1) 208/230/460VAC 60Hz 3Ø
Motor, Electric, 60Hz, 5 hp, 1Ø, 3450 RPM, 230VAC	MX001725	200 (444XS) 208/230VAC 60Hz 1Ø
Motor, Electric, 60Hz, 5 hp, 3Ø, 3450 RPM, 208-230/460VAC	MX001639	200 (444XS) 208/230/460VAC 60Hz 3Ø
Pump Pack, SlideDriver 200	MX001981	200, 200UPS (444XS, 444DX)
Pump Pack, SlideDriver 30F/40F	MX001979	30F, 30F UPS, 40F, 40F UPS (222 EX1.7 ST, 222 DX1.7 ST, EX, DX)
Pump Pack, SlideDriver 80 (post 2017 models)	MX4187	80, 80 UPS (X1, DX1)
Quick Disconnect, Socket, 1/4 inch	MX000201	50VF2/3, 200 (444)
Quick Disconnect, Socket, 1/8 inch	MX000169	all except 200 (444)
Reservoir, 4 Qt	MX000161	all
Sensor Kit, Inherent Entrapment	MX000091	all
Valve Coil, Directional, 24VDC	MX000184	all
Valve Coil, Quick Stop, 24VDC	MX000185	all
Valve, 2 Position Directional	MX000172	all
Valve, Brake	MX000657	all
Valve, Check, Endhead Main	MX000171	all
Valve, Relief, Soft-Start Operators	MX000659	all except 200 (444)
Valve, Relief, Soft-Start Operators, High Pressure	MX000480	200 (444)
Valve, Solenoid, 2P2W	MX000173	all

**Pump pack parts usage equivalent models:**

30F applies to 30F-C (222 CX1.7), 30F-M (333 EX1.7), 30F-CM (333 CX1.7)

40F applies to 40F-C (222 CX), 40F-M (333 EX), and 40F-CM (333 CX)

80 applies to 80-C (222 CX1), 80-M (333 X1), and 80-CM (333 CX1)

30F UPS applies to 30F-C UPS (222 DCX1.7), 30F-M UPS (333 DX1.7), 30F-CM (333 DCX1.7)

40F UPS applies to 40F-C (222 DCX), 40F-M (333 DX), and 40F-CM (333 DCX)

80 UPS applies to 80-C UPS (222 DCX1), 80-M UPS (333 DX1), and 80-CM UPS (333 DCX1)

Call for 50Hz motors and pump packs.

\* Use MX002054 for operators manufactured after 6/1/2009, MX001650 for operators with pump packs manufactured before 6/1/2009.