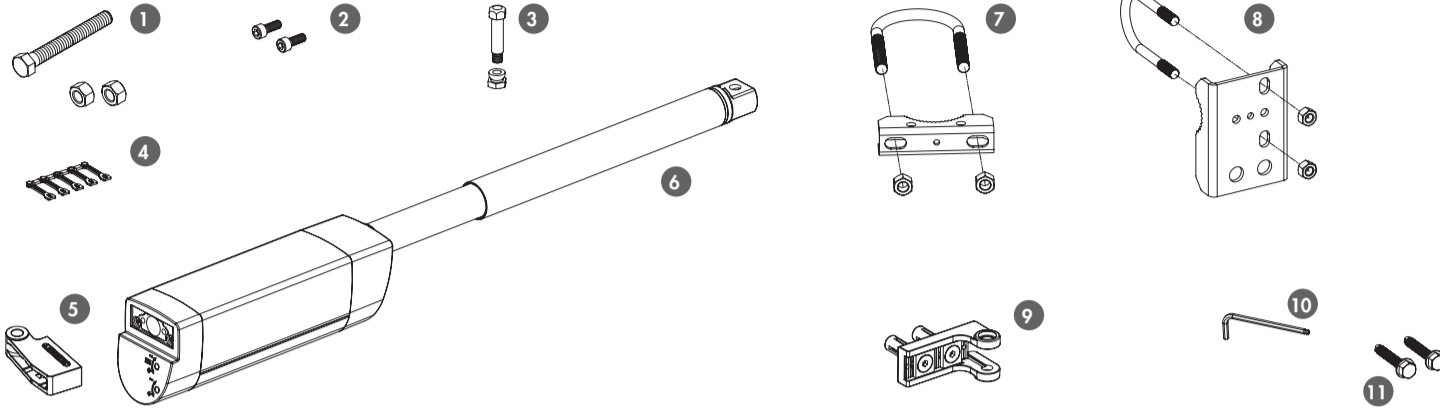


# LOCINOX®

Let's make better fences together

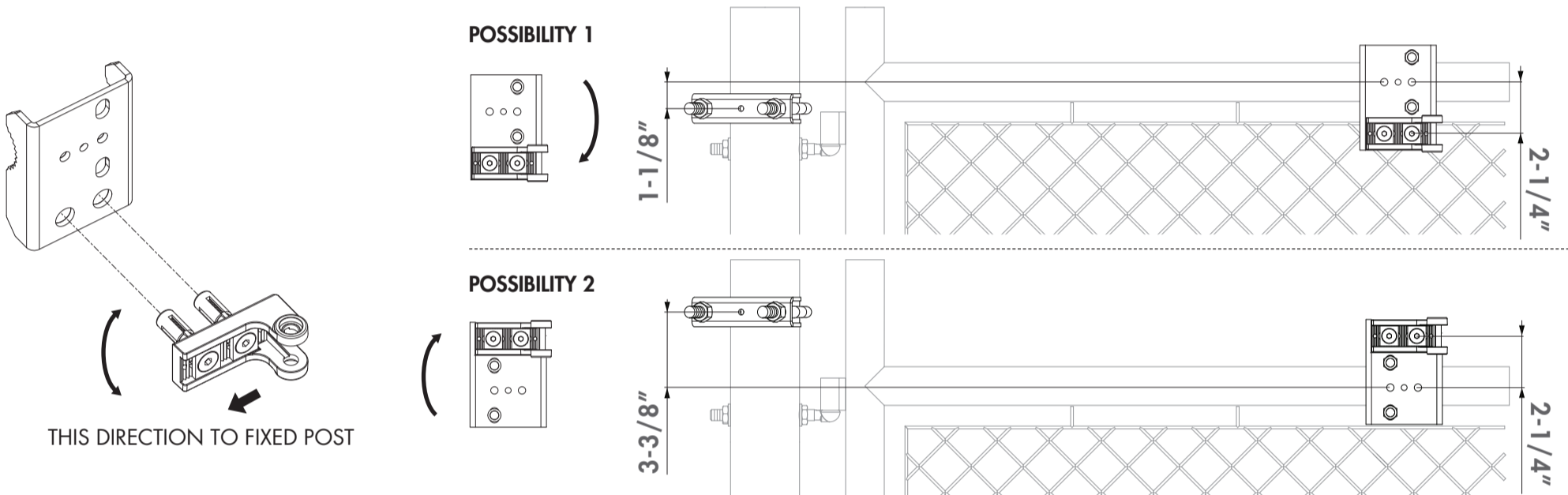
## SAMSON-2: CHAINLINK INSTALLATION INSTRUCTION

### ① Components Needed

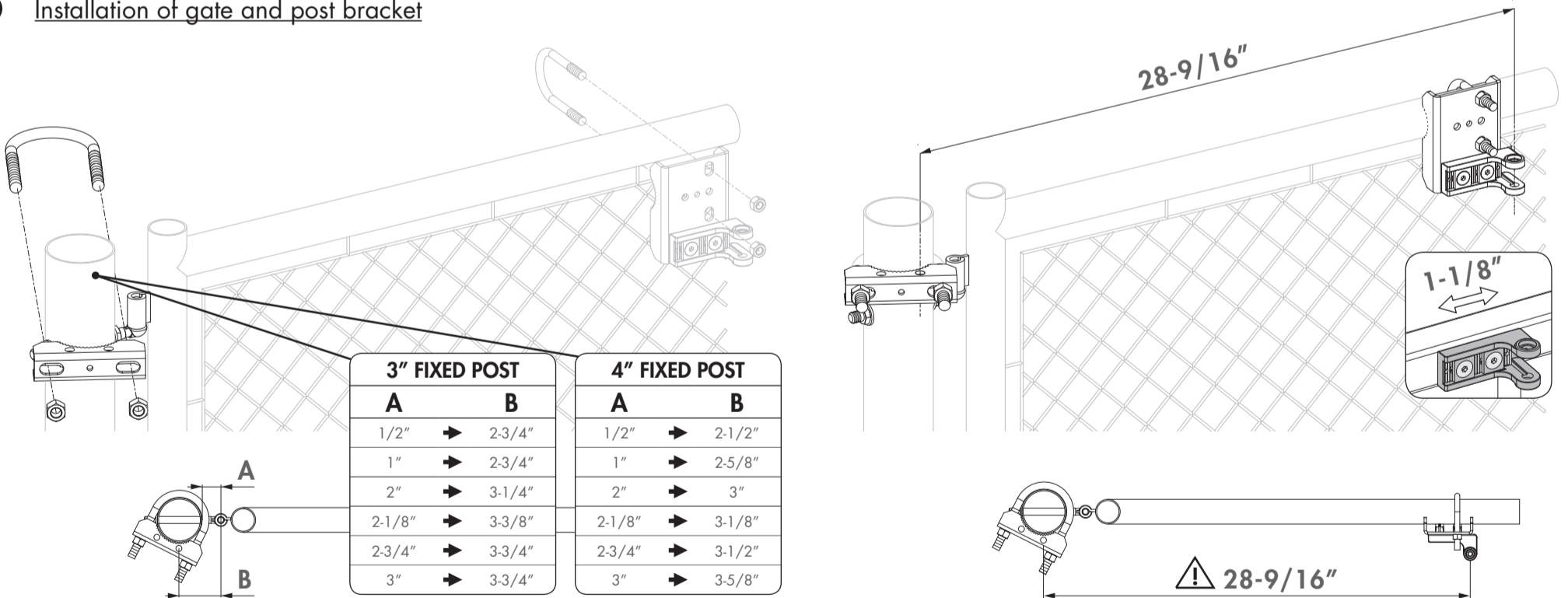


1	Tail Bracket axis and nuts
2	Tail bracket install screws
3	Fixation bolt
4	Hexplugs
5	Tail Bracket
6	Samson-2
7	Post bracket and fixation
8	Gate bracket and fixation
9	Gate bracket part
10	Allen Key (3 mm)
11	Self-drilling screws

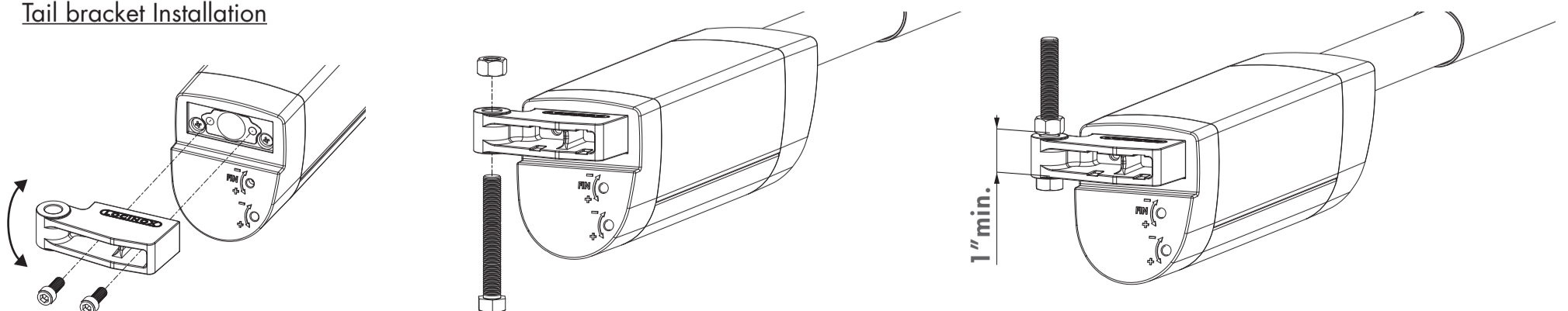
### ② Mounting Situation



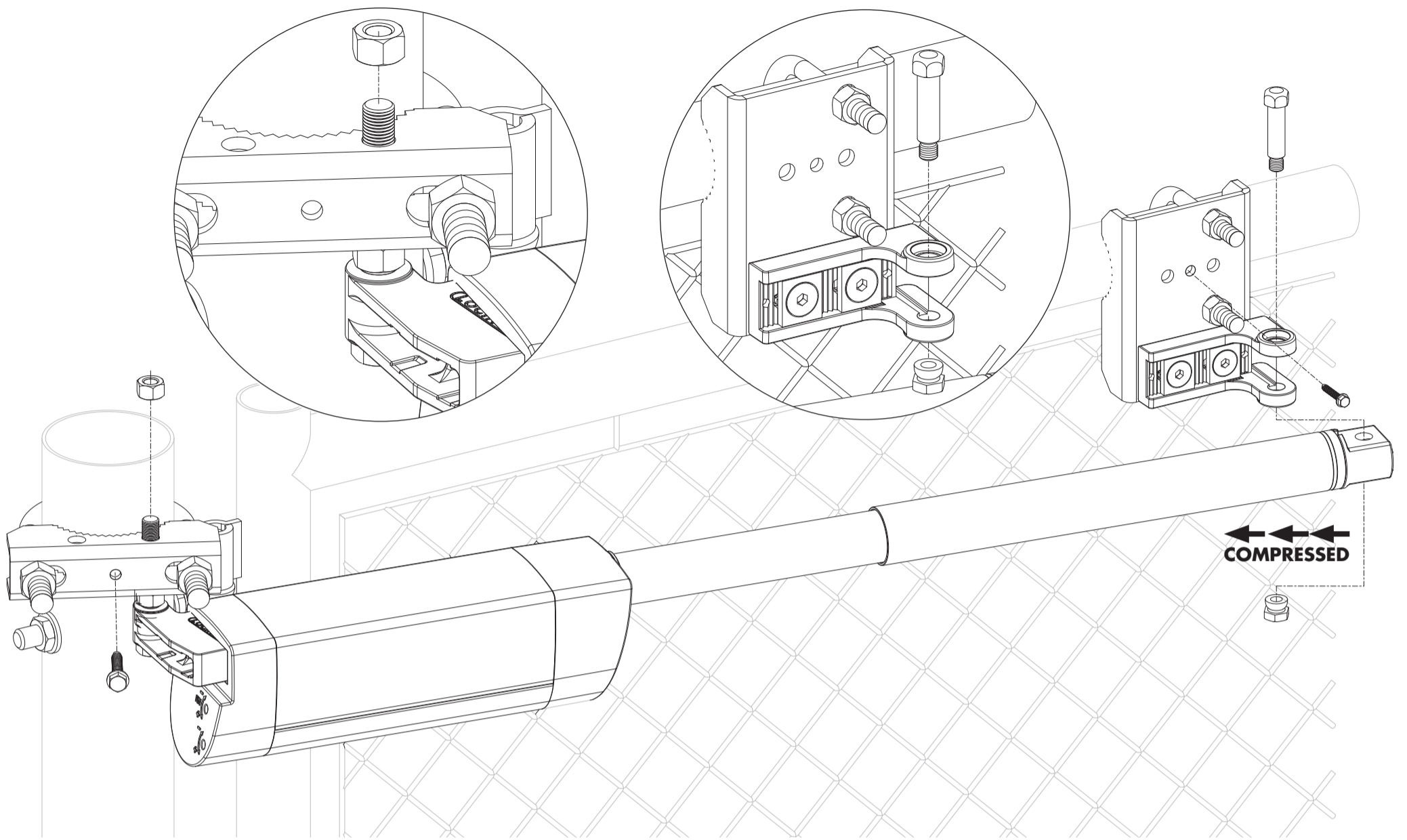
### ③ Installation of gate and post bracket



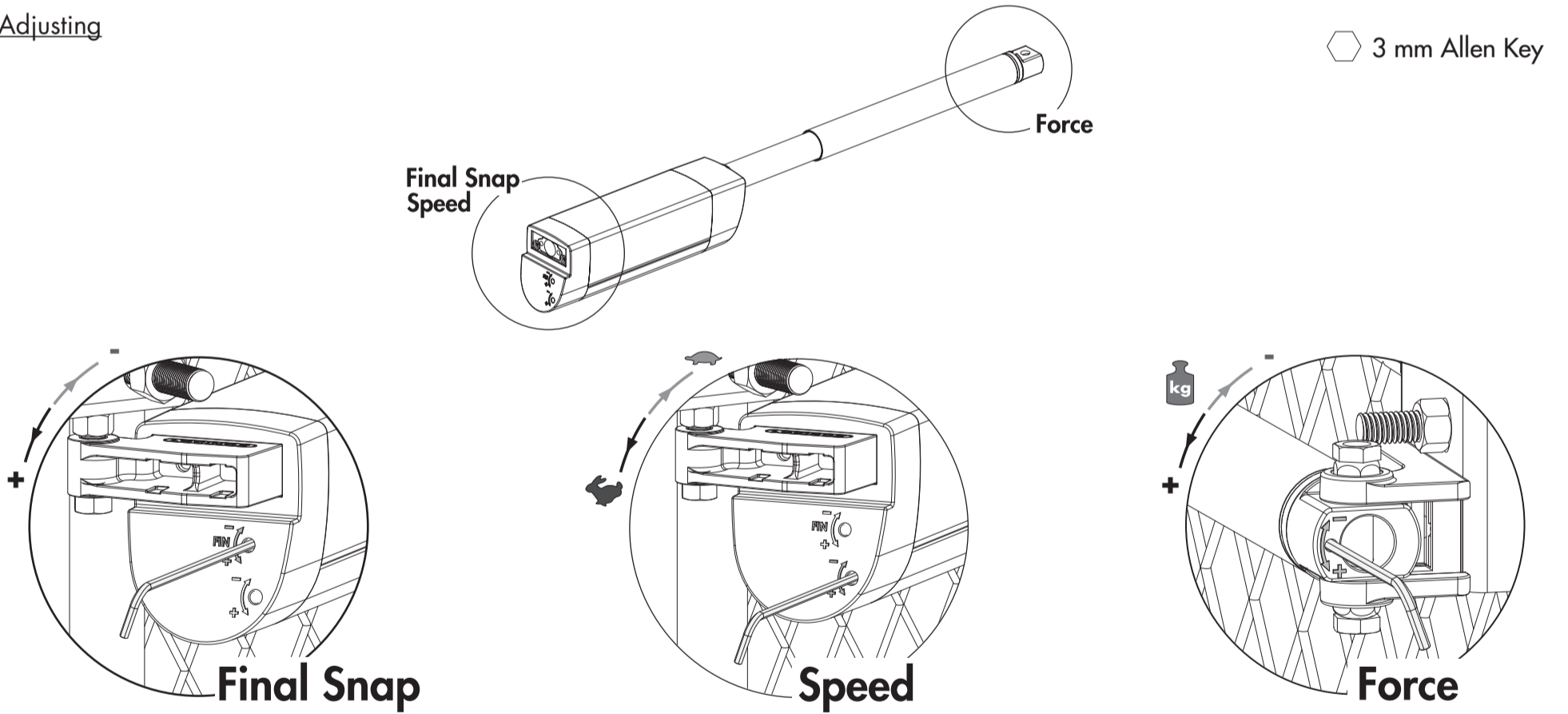
### ④ Tail bracket Installation



⑤ Gate closer installation



⑥ Adjusting



⑦ Shear nut removal

