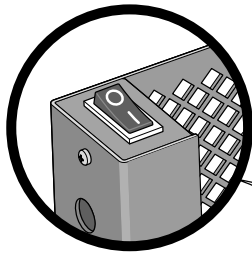
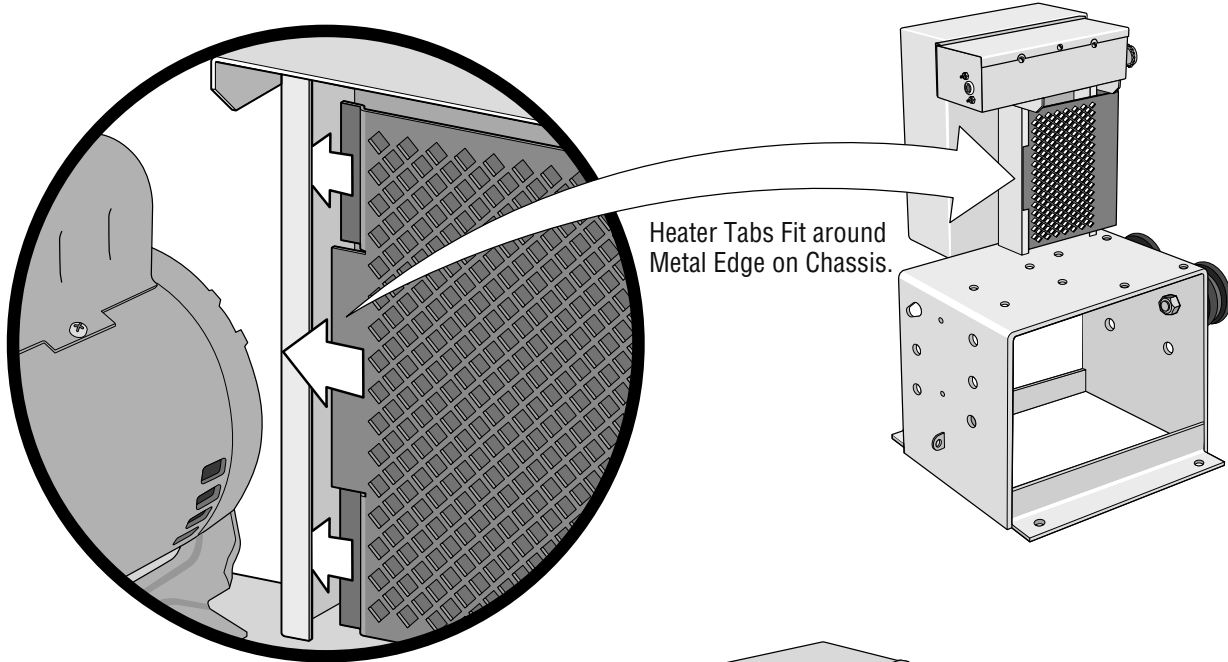


Connect the black, white and ground wire from the heater to the 120 Vac power supply as shown. When the heater switch is left in the "ON" position, the heater will turn on and off automatically as needed.



Leave Switch in "ON" Position for "Automatic".

Heating Element Fits in Hole of Chassis.

Mount Heater with 2 Bolts.

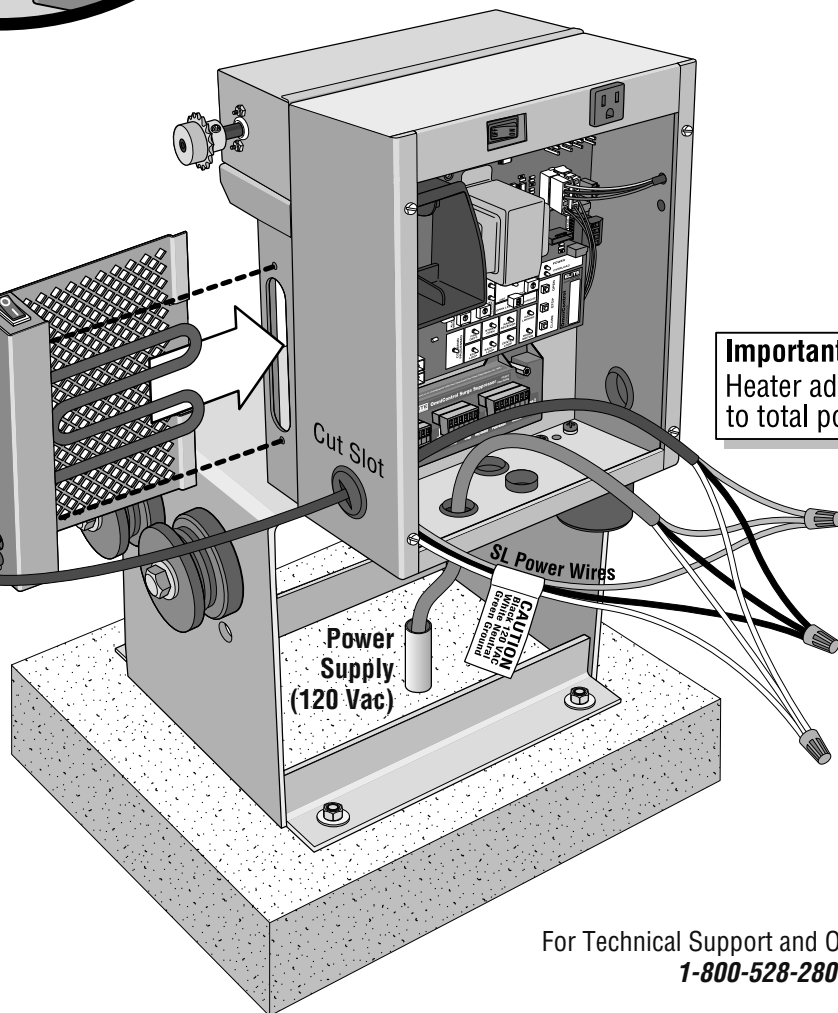
**Important:**  
Heater adds 3 Amps to total power draw.

Green Wires (Ground)

Black Wires (120 Vac)

White Wires (Neutral)

**DON'T TOUCH**  
Heater may be HOT when the switch is "ON"!



For Technical Support and Ordering Parts:  
**1-800-528-2806**