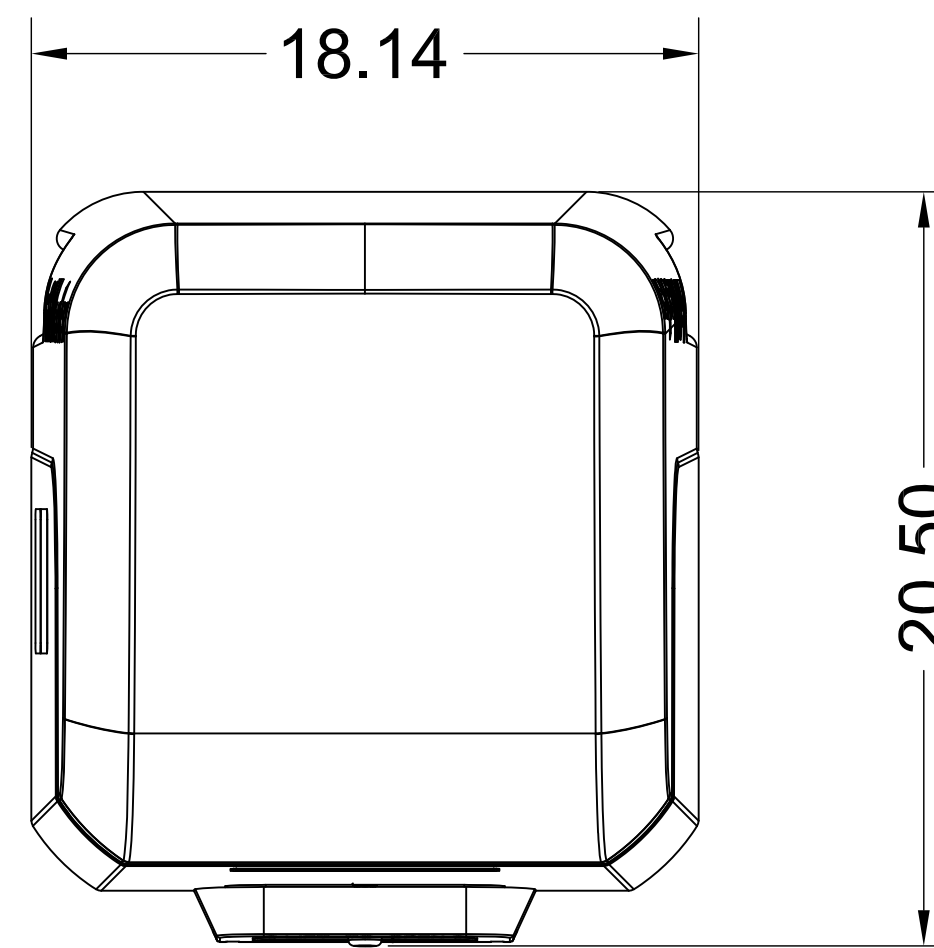
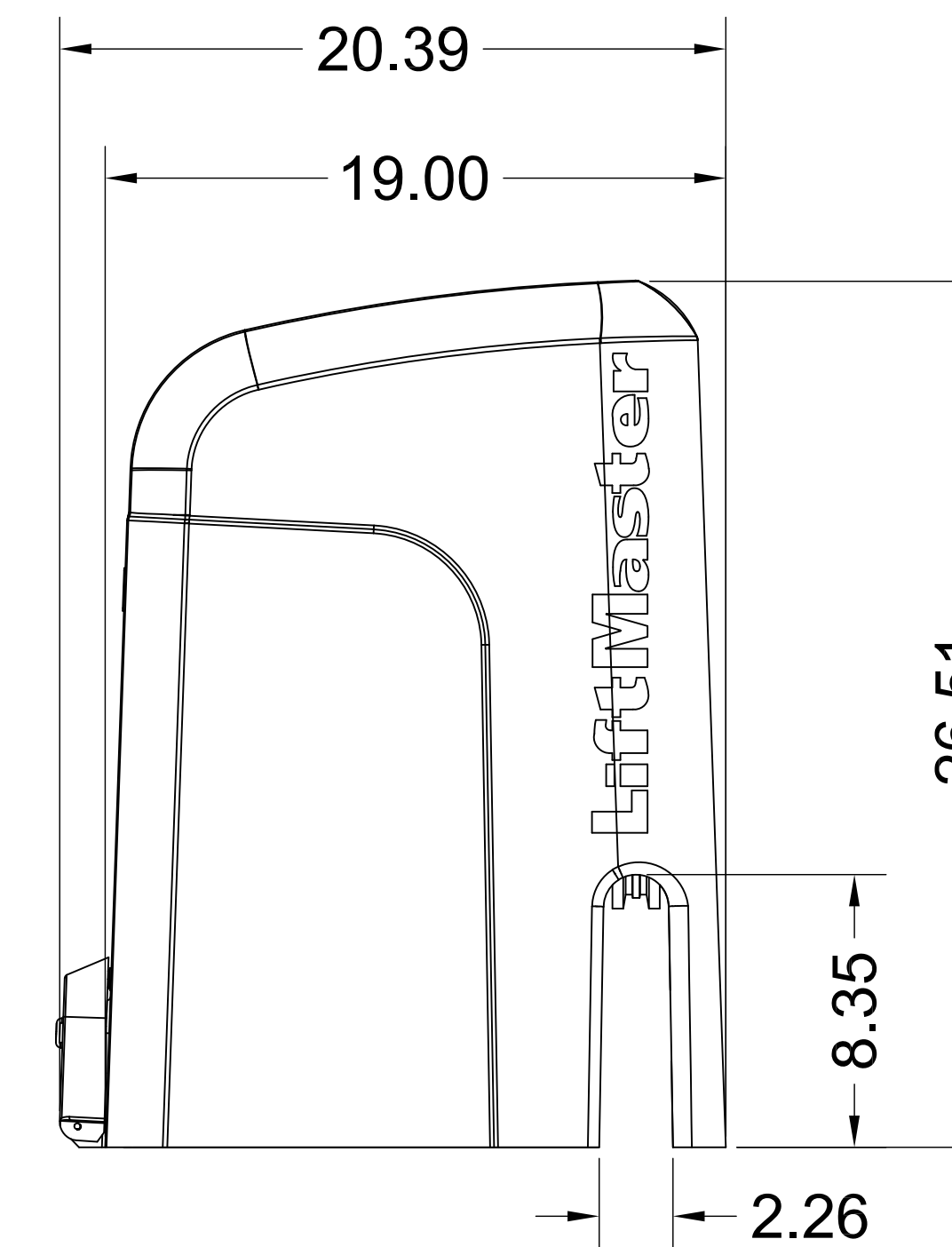


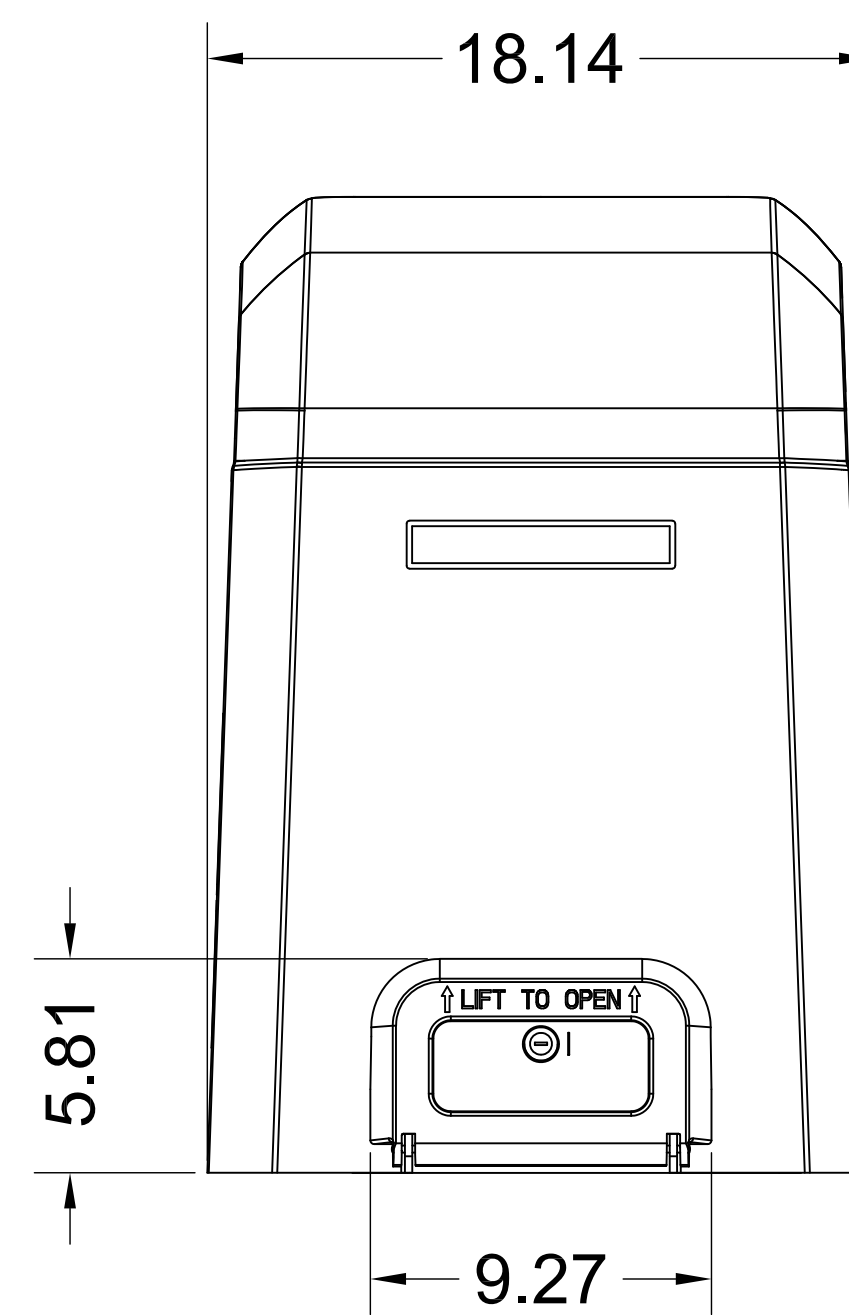
LEFT VIEW



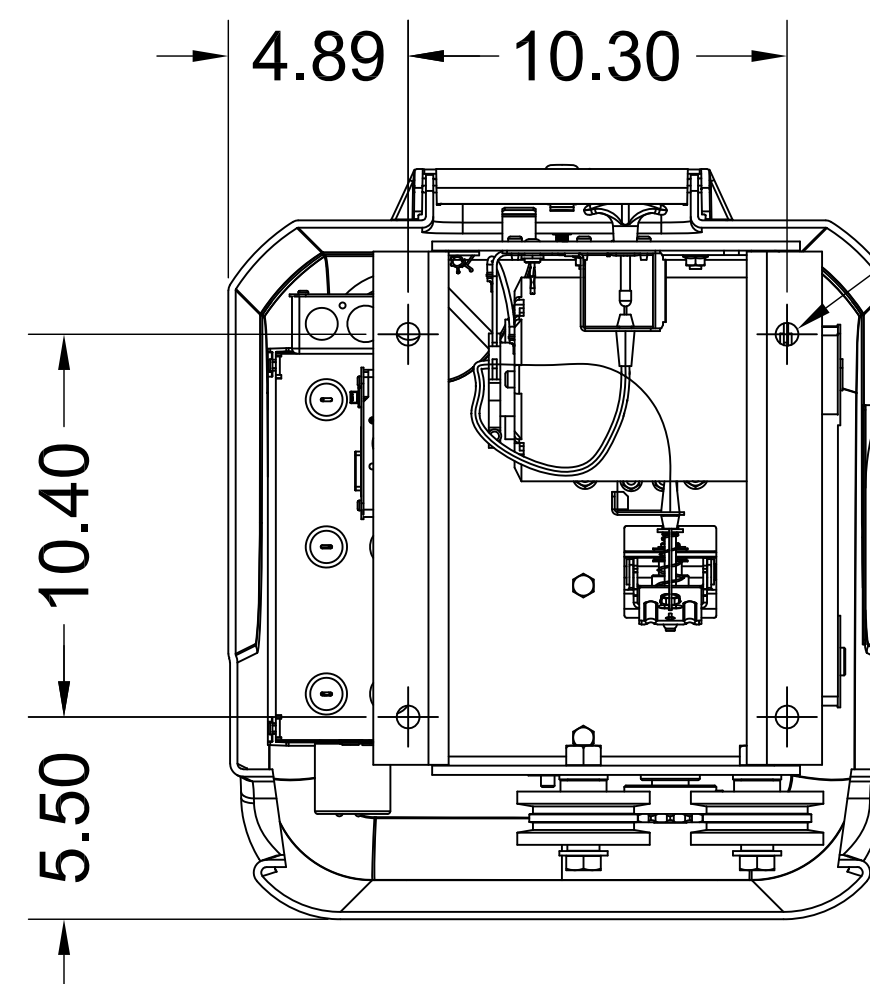
TOP VIEW



RIGHT VIEW



FRONT VIEW



BOTTOM VIEW

MOUNTING HOLES  
(4 PLCS.)

(SL300501U / SL300101U) AC HIGH-TRAFFIC  
SLIDE GATE OPERATOR

		300 WINDSOR DR. OAK BROOK, IL 60523 PHONE: (630) 418-6516 FAX: (630) 516-7059	
		LIFTMASTER (CHAMBERLAIN GROUP, INC.) ENGINEERED SERVICES	
DRW. BY: B. MOFFETT	REVISION:	SHEET NO: <b>1/1</b>	
DATE: 07/15/2019	SCALE: NTS		
TITLE: SL3000501U/ SL3000101U SLIDE GATE OPERATOR			
CAD FILE: -			