

Heavy-Duty Door Closer

SD-C101-SBBQ

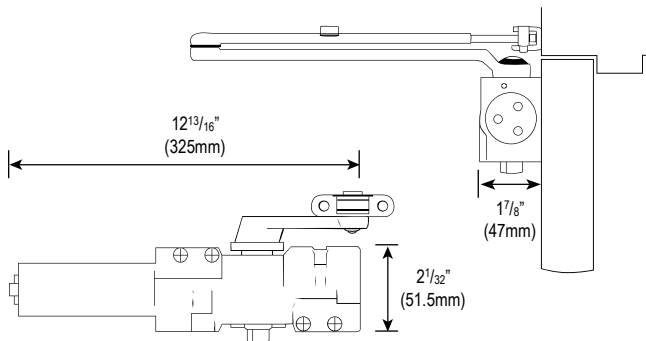
Door size 1~6, 145~330-lb, 32"~60", Back check, Cover

Features:

- Heavy-duty closer for commercial use
- Cast iron body & forged steel arm
- Adjustable sweep & latch speed
- Adjustable back check
- Adjustable spring force (1~6)
- Non-handed installation
- Tested to ANSI 156.4 (2 million life cycles)
- Silver finish
- Door width: 32"~60" (800~1500mm)
- Door weight: 145~330-lb (65~150kg)
- Decorative plastic cover
- Includes parallel arm bracket
- 5 year warranty

Dimensions:

Closer mounted on door, arm bracket on frame



Plastic cover included

Specifications:

Closing force	Size 1~6
Closing force adjustment	Adjustment screw
Grade 1 Construction	Yes
Max. door width	60" (1500mm)
Max. door weight	330-lb (150kg)
Adjustable closing speed via	Closing valve
Number of valves	1 Sweep, 1 Latch, 1 Back check
Second closing range	Yes 15° - 0°
End latch	Yes by valve
Backcheck	Yes
Adjustment valve	Yes
Non handed design	Yes
Max door opening angle-hinge side	130°
Fire and smoke check doors	Yes
Length	11 1/4" (285mm)
Width	2 3/4" (70.1mm)
Height	2" (51mm)
Weight	9-lb (3.88kg)
Footprint	5"x2 1/4"x1" (127x57x25.4 mm)
Installation	Tri-Pack-Regular, Top Jamb and Parallel Arms
Cover	Plastic
Finish	Silver
Parallel arm accessories	Yes
Construction detail	Cast iron body, forged steel arm
Door weight	145~330-lb (65~150kg)

SECO-LARM® U.S.A., Inc.

16842 Millikan Avenue, Irvine, CA 92606

Phone: (949) 261-2999 | (800) 662-0800 Fax: (949) 261-7326

Website: www.seco-larm.com Email: sales@seco-larm.com



Copyright 2016 © SECO-LARM U.S.A., Inc. All rights reserved. All trademarks are the property of SECO-LARM U.S.A., Inc. or their respective owners. The SECO-LARM policy is one of continual development. For that reason, SECO-LARM reserves the right to change prices and specifications without notice. SECO-LARM is not responsible for misprints.

SECO-LARM® ENFORCER® CRIMEBUSTER® CBA SLI®

PI_SD-C101-SBBQ_160420.docx