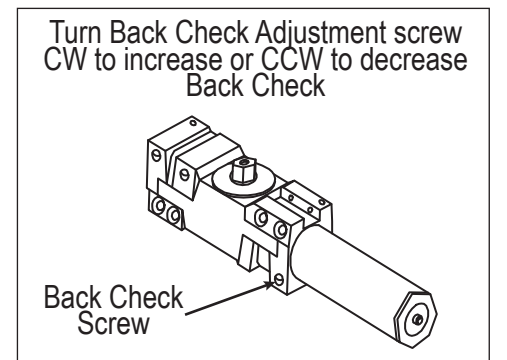
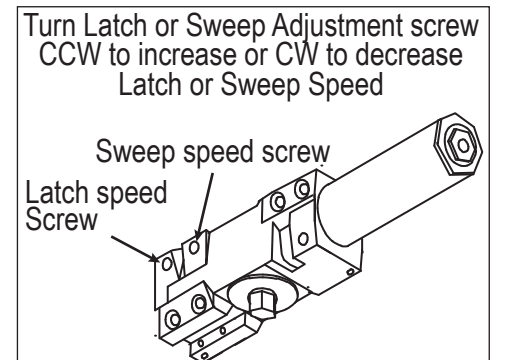
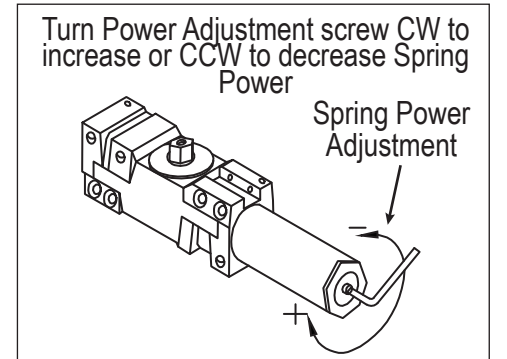
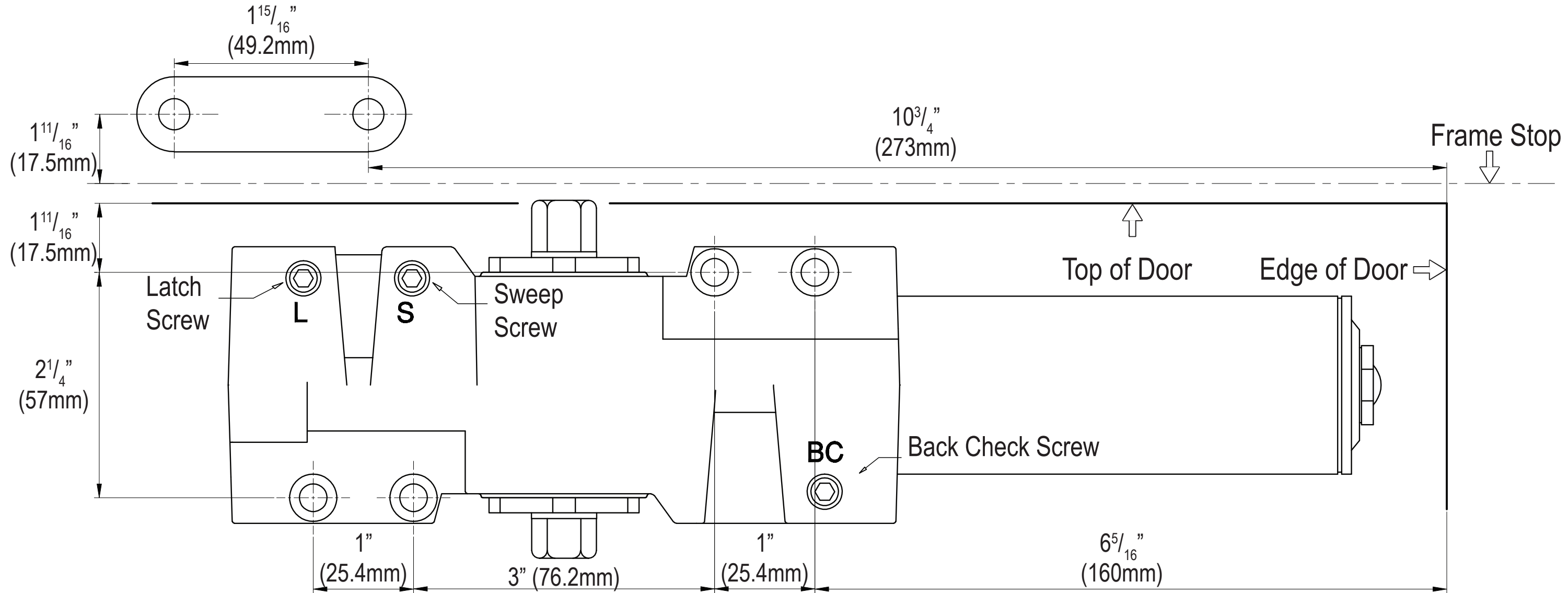


INSTALLATION TEMPLATE FOR ENFORCER HEAVY-DUTY SURFACE-TYPE DOOR CLOSER WITH BACK CHECK



CCW: Counterclockwise CW: Clockwise

Model: **SD-C101-SBBQ**
For Left-Hand Door

SECO-LARM®
www.seco-larm.com

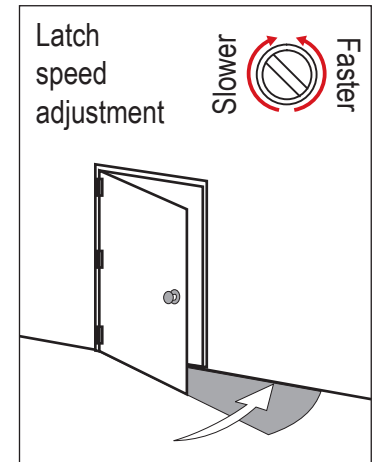
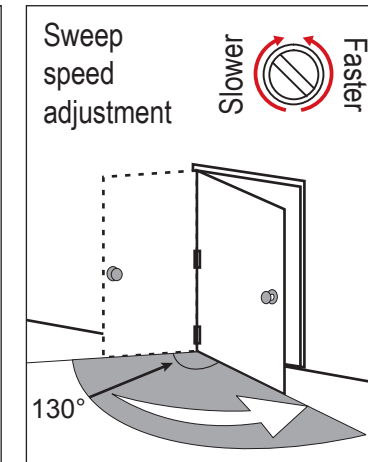
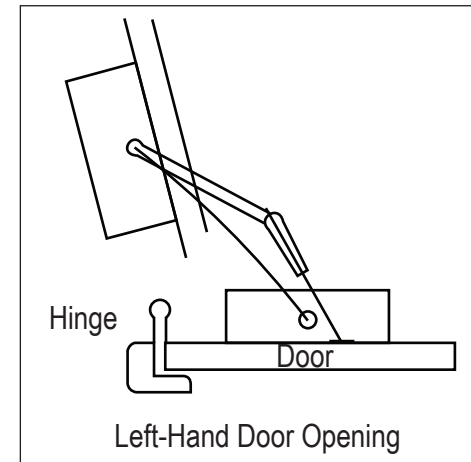
Installation Tips:

- To ease opening and closing of the door, you can "pre-load" the closer arm by using a wrench on the axle to move it by 45 degrees, so that the arm will not have to travel through the initial open sweep.
- Adjust the "Back Check" (BC) setting so that the door will open smoothly to the full extent of the swing required.
- Adjust the Sweep "S" speed to have the door swing slowly.
- Adjust the Latch "L" speed to have the door swing the last few inches with enough force to latch.
- Door closer comes preset as ANSI size "3". To change size, turn the spring power adjustment screw:

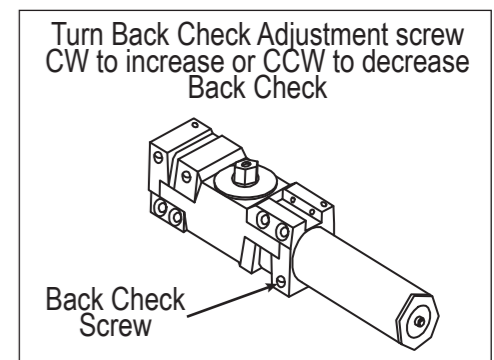
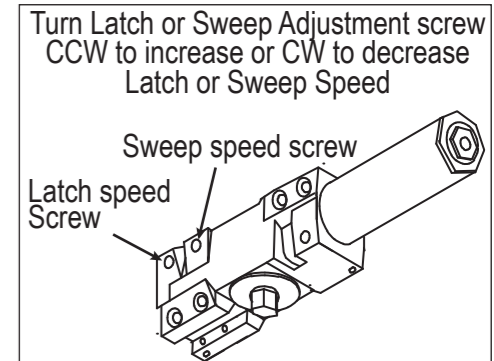
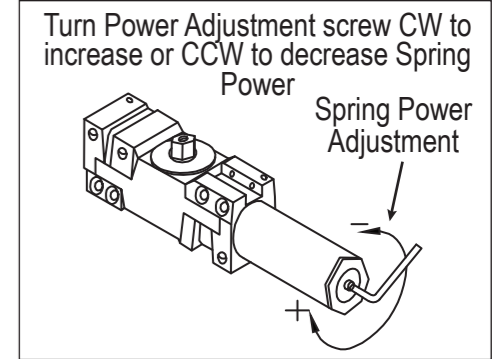
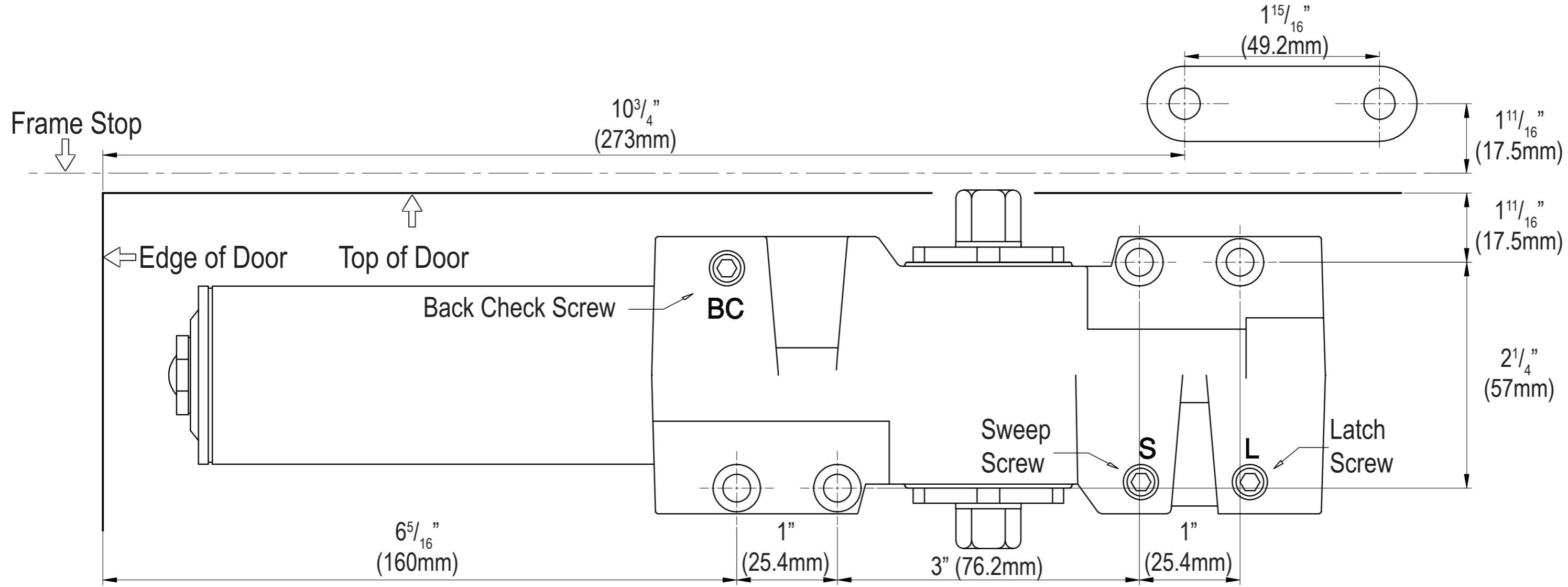
1: 5 turns CCW	4: 5 turns CW
2: 3 turns CCW	5: 10 turns CW
3: No turns	6: 15 turns CW

Parts List:

- 4x Self-tapping & self-drilling machine screw (ST6.3*75)
- 1x Self-tapping & self-drilling wood screw (ST6.3*50)
- 4x Self-tapping & self-drilling wood screw (ST6.3*38)
- 4x Countersunk head self-tapping screw (ST6.3*70)
- 4x Countersunk head screw (1/4-20*38)
- 1x Half countersunk head screw (1/4-20*9.5)
- 1x Arm head screw (1/4-20*13.5)
- 4x Hollow screws
- 2x Cover screws
- 1x Hex wrench (2.5mm)
- 1x Hex wrench (4mm)
- 1x Parallel arm bracket
- 1x Black plastic cushion block



INSTALLATION TEMPLATE FOR ENFORCER HEAVY-DUTY SURFACE-TYPE DOOR CLOSER WITH BACK CHECK



Model: **SD-C101-SBBQ**
For Left-Hand Door



CCW: Counterclockwise CW: Clockwise

- Installation Tips:**
- To ease opening and closing of the door, you can "pre-load" the closer arm by using a wrench on the axle to move it by 45 degrees, so that the arm will not have to travel through the initial open sweep.
 - Adjust the "Back Check" (BC) setting so that the door will open smoothly to the full extent of the swing required.
 - Adjust the Sweep "S" speed to have the door swing slowly.
 - Adjust the Latch "L" speed to have the door swing the last few inches with enough force to latch.
 - Door closer comes preset as ANSI size "3". To change size, turn the spring power adjustment screw:

1: 5 turns CCW	4: 5 turns CW
2: 3 turns CCW	5: 10 turns CW
3: No turns	6: 15 turns CW

- Parts List:**
- 4x Self-tapping & self-drilling machine screw (ST6.3*75)
 - 1x Self-tapping & self-drilling wood screw (ST6.3*50)
 - 4x Self-tapping & self-drilling wood screw (ST6.3*38)
 - 4x Countersunk head self-tapping screw (ST6.3*70)
 - 4x Countersunk head screw (1/4-20*38)
 - 1x Half countersunk head screw (1/4-20*9.5)
 - 1x Arm head screw (1/4-20*13.5)
 - 4x Hollow screws
 - 2x Cover screws
 - 1x Hex wrench (2.5mm)
 - 1x Hex wrench (4mm)
 - 1x Parallel arm bracket
 - 1x Black plastic cushion block

