

# Parking Pro

Car park barrier

**MAGNETIC**<sup>®</sup>  
ACCESS TO PROGRESS



## For heavily frequented parking facilities

In a multi-storey car park or an underground garage, Parking Pro barriers from Magnetic are the ideal solution for professional parking applications. Thanks to their configuration and security settings, Parking Pro barriers are designed for use in heavily frequented facilities in which the movement of persons can be ruled out. Rapid opening times and the detection of tailgating vehicles ensure reliable processing for users, while low energy consumption, low-maintenance components and simple servicing keeps running costs down permanently. The barrier booms are

optimised for use in parking applications: with the boom break-away option, for example, the boom is completely jettisoned in the case of a forced unauthorised passage – and it can be re-attached again without any impairment of function. In addition, visibility can be further increased by means of lighting elements and an expansion set. At the heart of the car park barrier is the innovative MHTM™ drive, characterised by its energy efficiency, lack of maintenance, and long service life – the Parking Pro is designed for 10 million opening and closing cycles.



### Professional parking solution

The Parking Pro is the first choice for operators of multi-storey car parks and solution suppliers thanks to its rapid opening times, low operating costs, easy handling, great reliability and extraordinarily long service life.



### Innovative drive technology

The MHTM™ drive unit operates without maintenance, energy-efficiently and quietly. Its high torque ensures best possible operation even under extreme weather conditions.



### Legal security

All barriers from Magnetic have a conformity declaration in line with the Machinery Directive and a performance declaration according to the EU's Construction Products Regulation. So operators and installers are always on the safe side regarding liability issues.



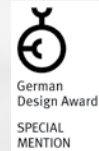
### Easy access to components

Two simple hand movements suffice: easy access to the control system and drive unit by removing the hood and front panel. This increases user-friendliness and speeds up commissioning and servicing.

# Parking Pro

## Car park barrier

- > Reliable detection of tailgating vehicles
- > Low power consumption for economical operation
- > Optimum accessibility for particularly easy maintenance
- > German Design Award 2014 and red dot design award 2012
- > Designed for 10 million opening and closing cycles

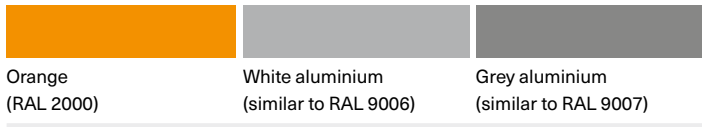


Technical data	Parking Pro
Barrier width	max. 3.5 m
Opening/closing time	1.3 s
Power consumption	max. 95 W
Drive technology	MHTM™
Voltage	85–264 VAC, 50/60 Hz
Duty cycle	100%
Housing dimensions (W x D x H)	315 x 360 x 915 mm
Enclosure rating	IP54
Temperature range	–30 to +55° C
Weight	40 kg

Features	Parking Pro
Standard colours	RAL 2000, 9006, 9007
VarioBoom barrier boom	Standard
Control system	MGC Pro
Integrated 2-channel detector for induction loops	Standard
Modular expansion of control system	Standard
Variable I/O assignment	Standard
No. of digital inputs	8
No. of relays/digital outputs	6/4
Selectable closing speed	Standard
Selectable opening speed	Standard

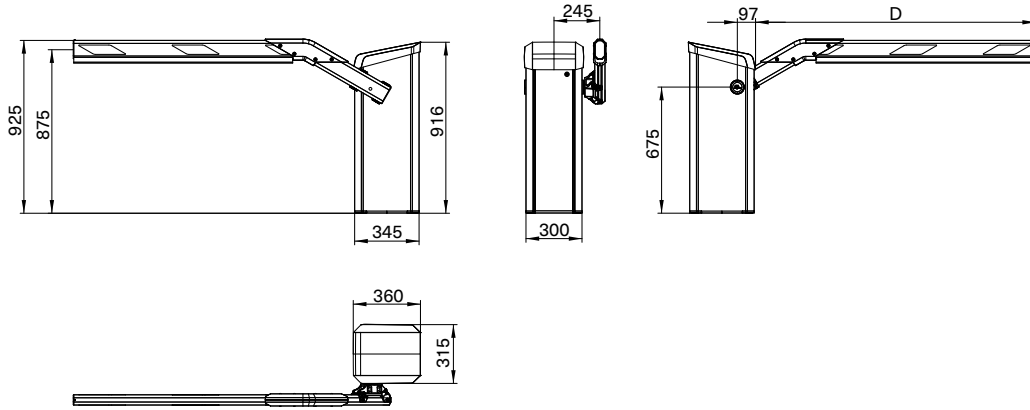
Options	Parking Pro
Special colours	✓
Folding boom	✓
Boom extension set	✓
Support post	✓
Breakaway flange	✓
Boom drop contact	✓
Boom interlock	✓
Boom lighting, red	✓
Illumination strip, red/green	✓
Cover illumination	✓
Key-operated switch	✓
Radio module	✓
Ethernet module	✓
RS485 module	✓
CAN module (counting)	✓
Second detector module	✓
GSM module	✓
Photoelectric safety switch	✓
Battery backup	✓

## Standard colours

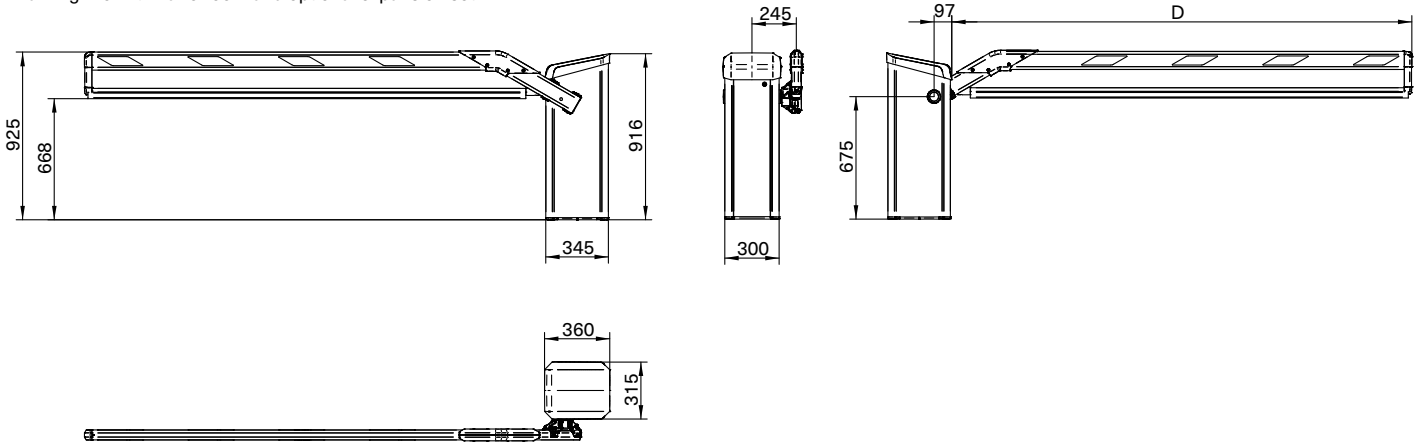


## Dimensional drawings

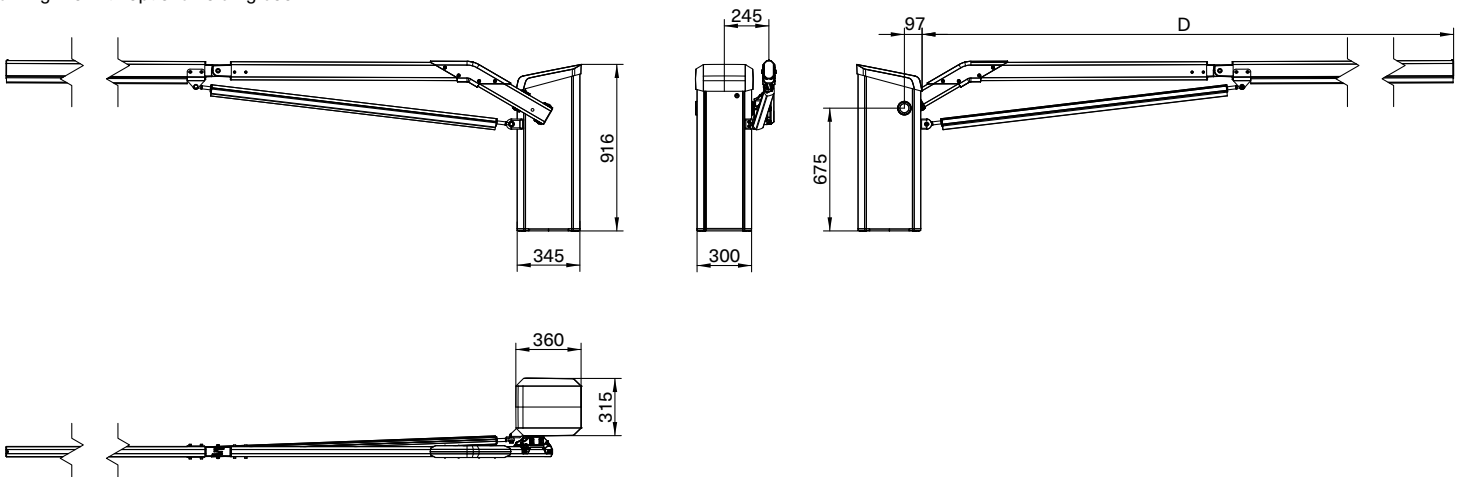
Parking Pro with VarioBoom



Parking Pro with VarioBoom and optional expansion set

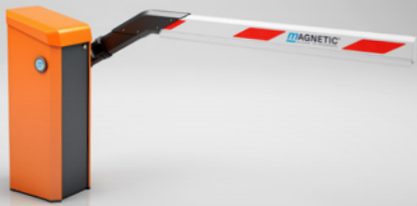


Parking Pro with optional folding boom



# Access to Progress

Magnetic stands for pioneering products – in every way. Our access control systems for vehicles or pedestrians clear the way for thousands of people every day – at car parks, toll gates, stations, airports and in buildings. Our technology is also pioneering, however: with innovative drives, intelligent control systems and well thought-out details it provides maximum safety and longevity. Are you also on the path to Magnetic?



## Vehicle barriers

Access barriers  
Parking barriers  
Toll barriers  
Special barriers



## Pedestrian gates

Turnstiles  
Swing gates  
Tripod gates  
Retractable gates  
Wing gates



## Terminals

Cars  
Trucks

*Germany*  
**MAGNETIC AUTOCONTROL GMBH**  
Grienmatt 20  
79650 Schopfheim  
Phone +49 7622 695-5  
Fax +49 7622 695-800  
E-mail [info@magnetic-germany.com](mailto:info@magnetic-germany.com)

*Australia*  
**MAGNETIC AUTOMATION PTY LTD**  
38 Metrolink Circuit  
Campbellfield, VIC 3061  
Phone +61 3 9339 2900  
E-mail [info@magnetic-oz.com](mailto:info@magnetic-oz.com)

*Brazil*  
**MAGNETIC AUTOCONTROL LTDA**  
Av. Salim Antônio Curiati, 136  
04690-050 – São Paulo  
Phone +55 11 5660 8500  
E-mail [info@magnetic-br.com](mailto:info@magnetic-br.com)

*China*  
**MAGNETIC CONTROL SYSTEMS CO., LTD**  
No. 3 Building, No. 51  
Lane 1159, Kang Qiao (East) Road  
Kang Qiao Industrial Zone, Shanghai  
Phone +86 21 68182970  
E-mail [info@magnetic-cn.com](mailto:info@magnetic-cn.com)

*France*  
**FAAC FRANCE**  
377 Rue Ferdinand Perrier  
69808 St Priest Cedex  
Phone +33 4 72 21 86 89  
E-mail [info@magnetic-fr.com](mailto:info@magnetic-fr.com)

*India*  
**MAGNETIC AUTOCONTROL PVT LTD.**  
PRS Centre  
Plot No. 373 to 376, 2nd Floor (West Wing)  
1st Cross Street, Nehru Nagar  
Old Mahabalipuram Road  
Kottivakkam (Opp Rayala Technopark, Perungudi)  
Chennai 600041  
Phone +91 44 421 23297  
E-mail [info@magnetic-india.com](mailto:info@magnetic-india.com)

*Middle East*  
**FAAC MIDDLE EAST FZE**  
Dubai Silicon Oasis  
PO Box 54886  
Dubai  
United Arab Emirates  
Phone +971 4 3724193  
E-mail [info@magnetic-uae.com](mailto:info@magnetic-uae.com)

*N. and S. America (excl. Brazil)*  
**FAAC INTERNATIONAL, INC**  
3160 Murell Road  
Rockledge, FL 32955  
USA  
Phone +1 321 635 8585  
E-mail [info@magnetic-usa.com](mailto:info@magnetic-usa.com)

*Scandinavia*  
**FAAC NORDIC AB**  
Box 125  
284 22 Perstorp  
Sweden  
Phone +46 435 77 95 03  
E-mail [info@magnetic-nordic.com](mailto:info@magnetic-nordic.com)

*Southeast Asia*  
**MAGNETIC CONTROL SYSTEMS SDN. BHD**  
No. 17, Jalan Anggerik Mokara 31/54  
Taman Perindustrian Kota Kemuning  
40460 Shah Alam  
Selangor Darul Ehsan  
Malaysia  
Phone +60 3 5123 0033  
E-mail [info@magnetic-malaysia.com](mailto:info@magnetic-malaysia.com)