

HDMI® Extender over Single Coaxial Cable

MVE-AA11-01NQ

The ENFORCER HDMI Extender over Single Coaxial Cable extends the range of traditional HDMI cabling methods by using an active transmitter and receiver to send video and audio over a single Coaxial Cable with zero signal loss. HDMI formats as large as 1080p can be transmitted up to 328' (100m) between the two units.

Features:

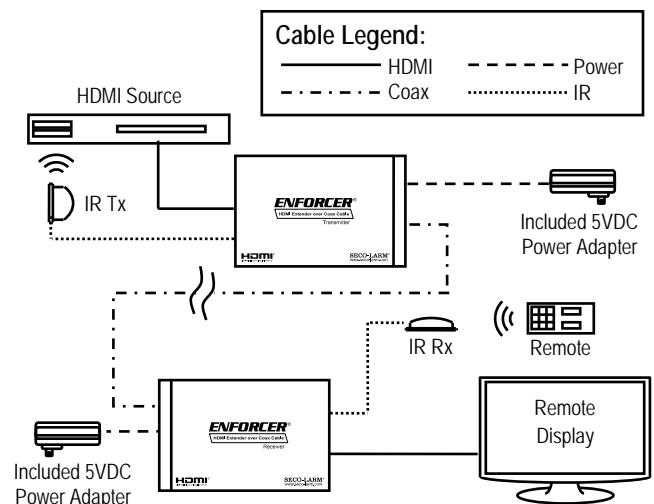
- **Signal Strength** – Active operation ensures that the signal strength will remain strong over the length of the cable.
- **Distance** – The HDMI Extender over Single Coaxial Cable is capable of providing a clear HDMI signal up to 328ft (100m).
- **Formats Supported** – The HDMI Extender over Single Coaxial Cable supports both progressive and interlaced formats: 1080p/1080i/720p/576p/480p/480i.
- **Plug and Play** – The HDMI Extender over Single Coaxial Cable comes as a complete set consisting of a transmitter and receiver, power supplies, and IR dongles.
- **Zero Signal Loss** – Integrated circuits in the transmitter and receiver clean, buffer, and amplify the HDMI signal to prevent signal loss and ensure a clear signal regardless of the length of the cable.
- **IR Pass-through** – Send IR signals from the source to the monitor for discrete operation of devices.



Specifications:

Input video signal	3.3V
Input DDC signal	5Vp-p (TTL)
Deep color	36bits (12bits/color)
Video formats supported	High-speed HDMI, HDCP 1.1
Audio formats supported	LPCM, Dolby-AC3, DTS7.1, DSD
Resolutions supported	1080p/1080i/720p/576i/480i
Video amplifier bandwidth	1.65Gbps
Coaxial cable	RG6
Range	Up to 328' (100m)
Operating voltage	5VDC
Power supply	1A@5VDC (2 adapters) (2.1mm plug)
Operating temperature	32°~104° F (0°~40° C)
Operating humidity	20~90% RH (no condensation)
Weight	4.2-oz (120g) (each)

Sample Application:



SECO-LARM® U.S.A., Inc.

16842 Millikan Avenue, Irvine, CA, 92606

Phone: (949) 261-2999 | (800) 662-0800 Fax: (949) 261-7326

Website: www.seco-larm.com Email: sales@seco-larm.com



Copyright 2015 © SECO-LARM U.S.A. Inc. All rights reserved.

All trademarks are the property of SECO-LARM U.S.A., Inc. or their respective owners. The SECO-LARM policy is one of continual development. For that reason, SECO-LARM reserves the right to change prices and specifications without notice. SECO-LARM is not responsible for misprints.

SECO-LARM ENFORCER CRIMEBUSTER CBA SLI