

LA500PKGUL SWING GATE OPERATOR

SECTION 32 31 00



KEY FEATURES

BATTERY BACKUP	Up to 24 days of standby power or 500 cycles when the power is down
REMOTE CONTROL ACCESS	Security+ 2.0® 3-channel receiver will handle up to 50 remote controls (unlimited remotes with 811LM/813LM)
INTERNET CONNECTIVITY	MyQ® technology monitors and controls the operator through the MyQ app
MONITORED SAFETY INPUTS	3 inputs main board; 3 optional expansion board
SOLAR-POWER CAPABILITIES	Yes. Reference detailed solar chart on product page at LiftMaster.com
DIAGNOSTIC DISPLAY	LED diagnostic display
WIRELESS DUAL-GATE COMMUNICATION	Eliminates expensive conduit costs and unsightly driveway scars
FIRE DEPARTMENT COMPLIANT	Allows gate to auto open upon loss of AC power or battery depletion
LIMIT SETTING	Electronic
DUAL-GATE CONTROL	Bi-part delay or synchronized close
PROGRAMMABLE AUXILIARY RELAYS	Easily add additional features, such as warning lights/alarms
UNAUTHORIZED ACCESS PREVENTION	Can be programmed with anti-tailgate or quick close capabilities
HOMELINK® COMPATIBLE	Version 4 and higher

SPECIFICATIONS

OPERATOR SPEED	90-degree opening in 17 seconds
POWER	120V/230VAC single phase
ACCESSORY POWER	24VDC, 500mA output; switched and unswitched power
OPERATOR WEIGHT	Actuator arm 35 lbs.; standard control box 13 lbs.; includes (2) 7Ah batteries
WARRANTY	2 years
TEMPERATURE SPECIFICATIONS	-4°F (-20°C) to 140°F (60°C)
UL USAGE CLASSIFICATION	UL 325 & UL 991 listed – class I, II, III and IV

CONSTRUCTION

MOTOR	24VDC motor with soft start/stop
OPERATOR DUTY RATING	300 cycles per day
CHASSIS/FRAME	Commercial-duty aluminum die-cast housing
GEAR REDUCTION	Precision-machined all-metal gear in contained lubrication housing.
RECOMMENDED CAPACITIES	Rated for gates up to 18 ft. in length or weighing up to 1,600 lbs.

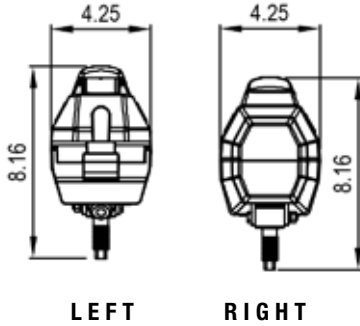
DATA SHEET
SWING GATE OPERATOR

LiftMaster®

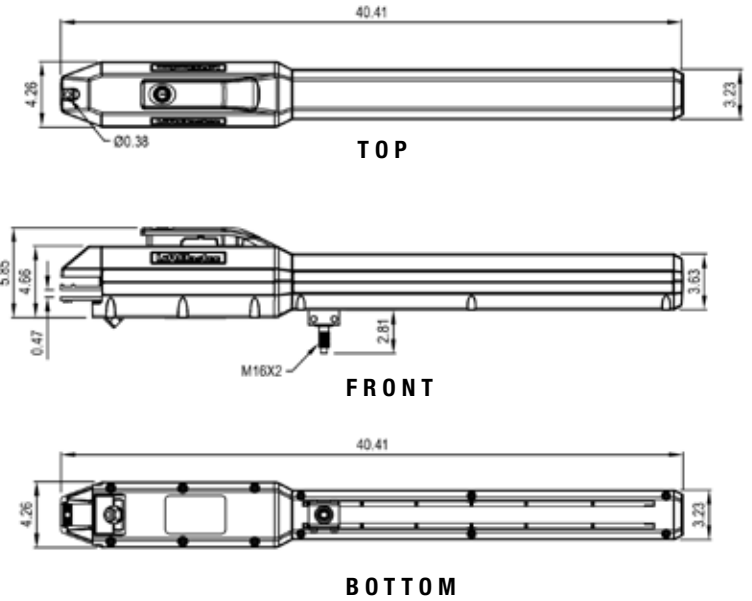
LA500PKGUL SWING GATE OPERATOR

SECTION 32 31 00

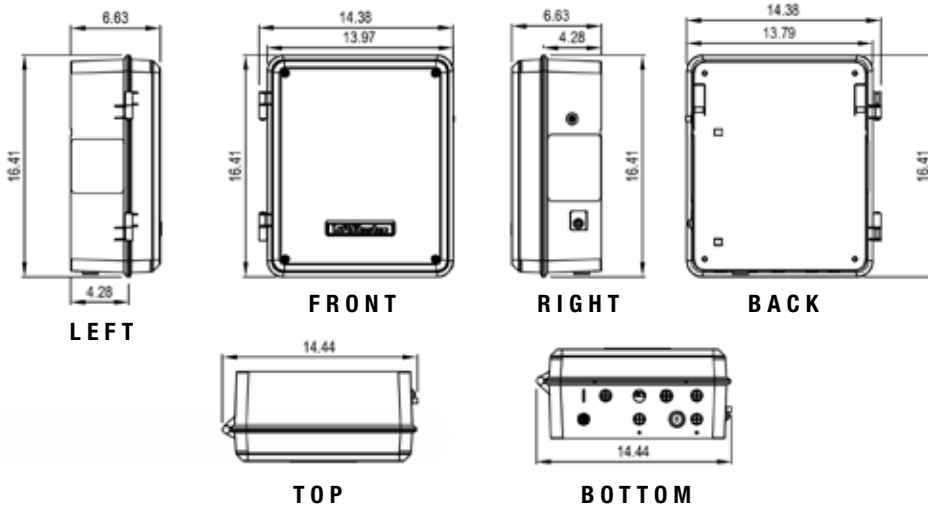
DIMENSIONS



ACTUATING ARM



CONTROL BOX



BATTERY BACKUP OPERATION

BATTERY	CYCLES	STANDBY TIME
(2) 7Ah	500	24 Days
(2) 33Ah	2781	180 Days

