

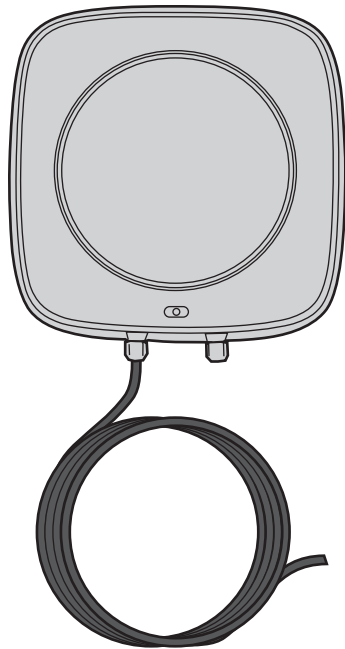
Introduction

The LiftMaster proprietary Long Range Reader and vehicle tags provide you quick and easy access into your gate. The LiftMaster reader and vehicle tags must be used as a system in order to function. The LiftMaster branded tags can only be used with the LiftMaster branded reader. For use with the CAPXL, CAP2D, EL2000SS and EL25.

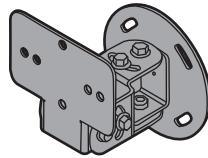


WARNING: This product can expose you to chemicals including lead, which are known to the State of California to cause cancer or birth defects or other reproductive harm. For more information go to www.P65Warnings.ca.gov.

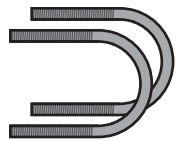
Carton Inventory



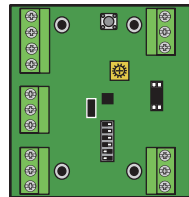
LMSC1000 Reader



Mounting Bracket

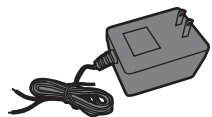


U-Bolts (2)



S2W Wiegand Interface Module

The S2W Wiegand Interface Module and plug-in transformer shall be mounted in either the CAPXL enclosure or a Gate Operator Listed to UL 325.



12V 3A Regulated Power Supply

Reader Specifications

Part Number	LMSC1000
FCC ID	XVY-IDRO900MA
Dimensions	10.25" x 10.25" x 1.5"
Polarization	Circular Polarized
Frequency range	902Mhz ~ 928 MHz
Supported Protocol	ISO 18000-6C/EPC C1 G2, ISO 18000-6B
Read Range	20 – 30 Feet (Depending on Tag)
Anti-Collision	Up to 100 tags/second
Environment	Operating Temp : - 20 C to + 50 C Storage Temp : - 20 C to + 80 C
Connectivity	26-Bit Wiegand (D0, D1, GND)
Power Supply	12 VDC, 3A (cable run max 50' (15.2 m) with an 18 gauge stranded or larger wire. Minimum voltage 11.5 under load.
RF Output Power	Adjustable 13-30 dBm with 1 dB steps Power Accuracy +/- 0.5dBm
Weight	< 31.0 oz. (Reader Only)
Protocol	ISO18000-6C C1G2
Firmware	v.E18070400

Supported LiftMaster RFID tags (Order Separately)



LMHNTG/SPLMHTG*
LiftMaster RFID Hang tag



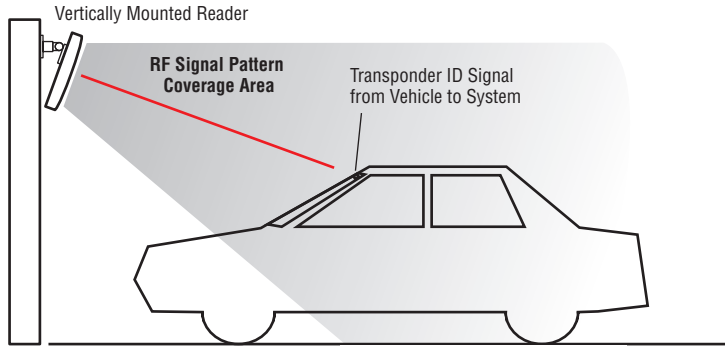
LMUNTG/SPLMUNTG*
LiftMaster Dual-Purpose RFID
Tag (Windshield/Headlamp)

* If specific Facility Code and Start ID required, use special part #s SPLMHTG, SPLMUNTG.

Installation

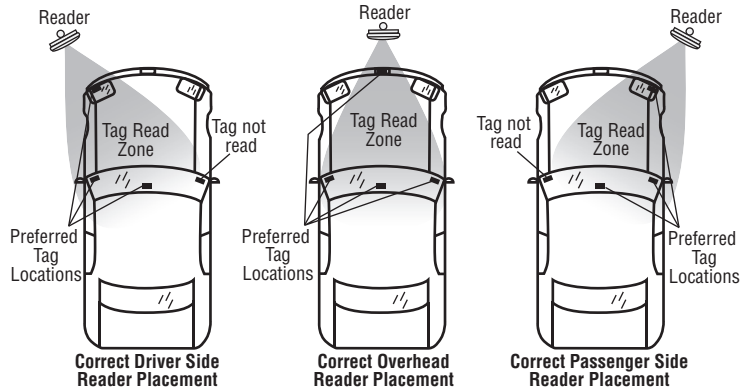
Site layout plays a large role in where you can mount the reader and may prompt you to use a particular location/orientation. It is very important to be mindful of how reader placement affects where and how you mount the RFID tags/transponders on the vehicle. Here are some examples of reader placement and how they affect tag placement.

Orientation Note: Minimize the distance between reader and tag as much as possible (shown as red line).



For best results use a signal checker to test desired installation position. After reader orientation has been selected make sure that all readers to be used at the site are installed in the same orientation to ensure consistent tag reads (all on the left/driver's side, for example).

The example shown is a general recommendation, final location should be decided after field testing.



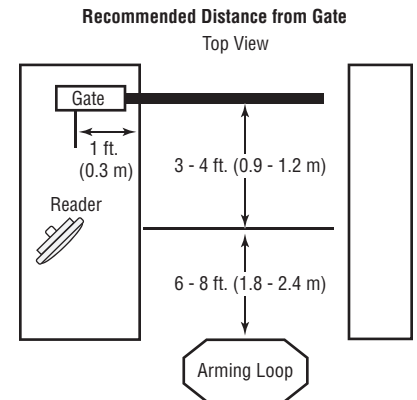
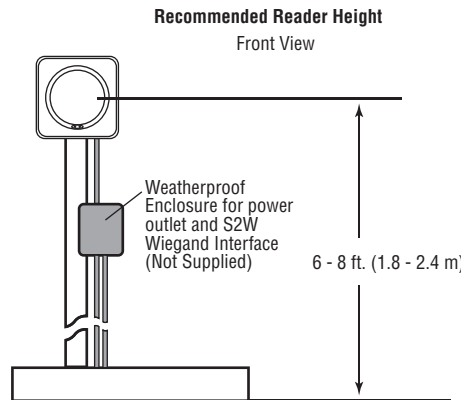
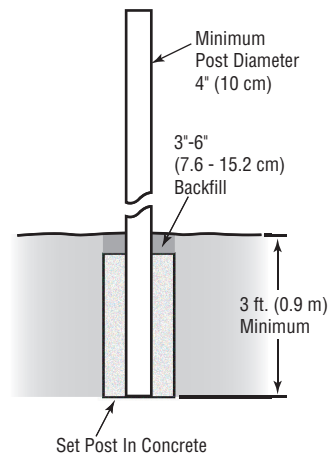
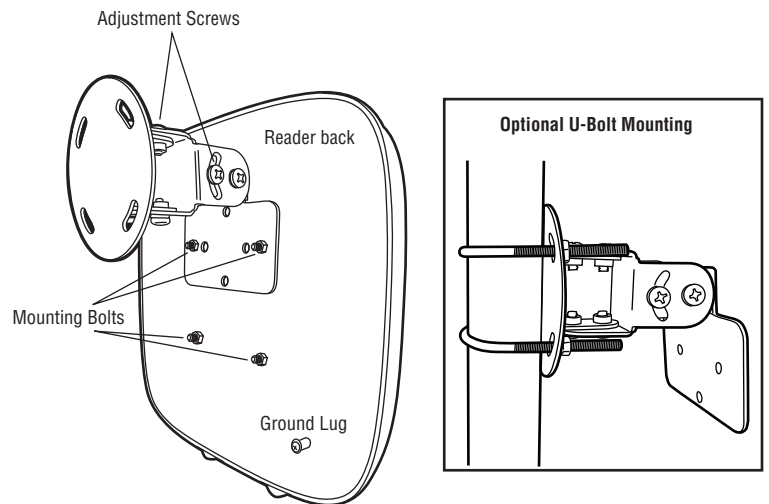
NOTE: Use LMHNTG for rear view mirror tag location and LMUNTG for all other tag locations.

Reader Mounting

Step 1: Install mounting bracket to the desired mounting location. Attach the round side of the bracket with appropriate screws.

Step 2: Secure the reader to the mounting bracket by removing the mounting nuts from the mounting bolts located on the back of the reader. Place the reader bolts through the mounting bracket's supplied holes. Reinstall the mounting nuts/lock washers and re-tighten.

Step 3: Once the reader is mounted, the reader's vertical orientation to the roadway can be adjusted using the adjustment screws. The specific angle is determined by the average pitch of the vehicle's tag mounting surface (e.g., windshield, headlamp, etc.).



The S2W Wiegand Interface Module and plug-in transformer shall be mounted in either the CAPXL enclosure or a Gate Operator Listed to UL 325.

NOTE: Examples shown are general recommendations, final location should be decided upon field testing.

Wiegand Interface Module Mounting and Wiring

The following are the provisions for the wiring connections on the LMSC1000 reader system.

- Take special precautions to protect the system's components by locating them in a weatherproof enclosure (sold separately).
- In the weatherproof enclosure, provide a properly protected 115VAC power outlet for powering the reader through the provided power supply.
- Once an appropriate weatherproof enclosure with power outlet has been installed, route the reader cable so that it safely enters the enclosure and maintains the enclosure's weatherproof capabilities.
- Route Wiegand Data 0, Data 1, and Common from S2W Wiegand Interface to the access control panel so that it safely exits the enclosure and maintains the enclosure's weatherproof capabilities.
- AC must be run in a separate conduit.
- Maximum cable distance between Reader and S2W Wiegand Interface is 19 feet (5.8 m).
- Maximum cable distance between Reader and access control system is 350 ft (107 m) with 18 AWG wire.

Arming Loop Input (Optional)

For applications where multiple RFID readers will be in close proximity this feature can be used to turn on the reader field ONLY when the loop senses the presence of a vehicle.

When switch 5 is turned on, the Wiegand board sends a command to the antenna to turn off the reader field until a vehicle presence is detected.

Reader Cable Index

Color	Function
Yellow	Com
Green	TXD
White	RXD
Black	-12 VDC (GND)
Red	+12 VDC

Power Supply Index

Color	Function
Solid Black	-12 VDC (GND)
Black w/Dash	+12 VDC

Reader LEDs

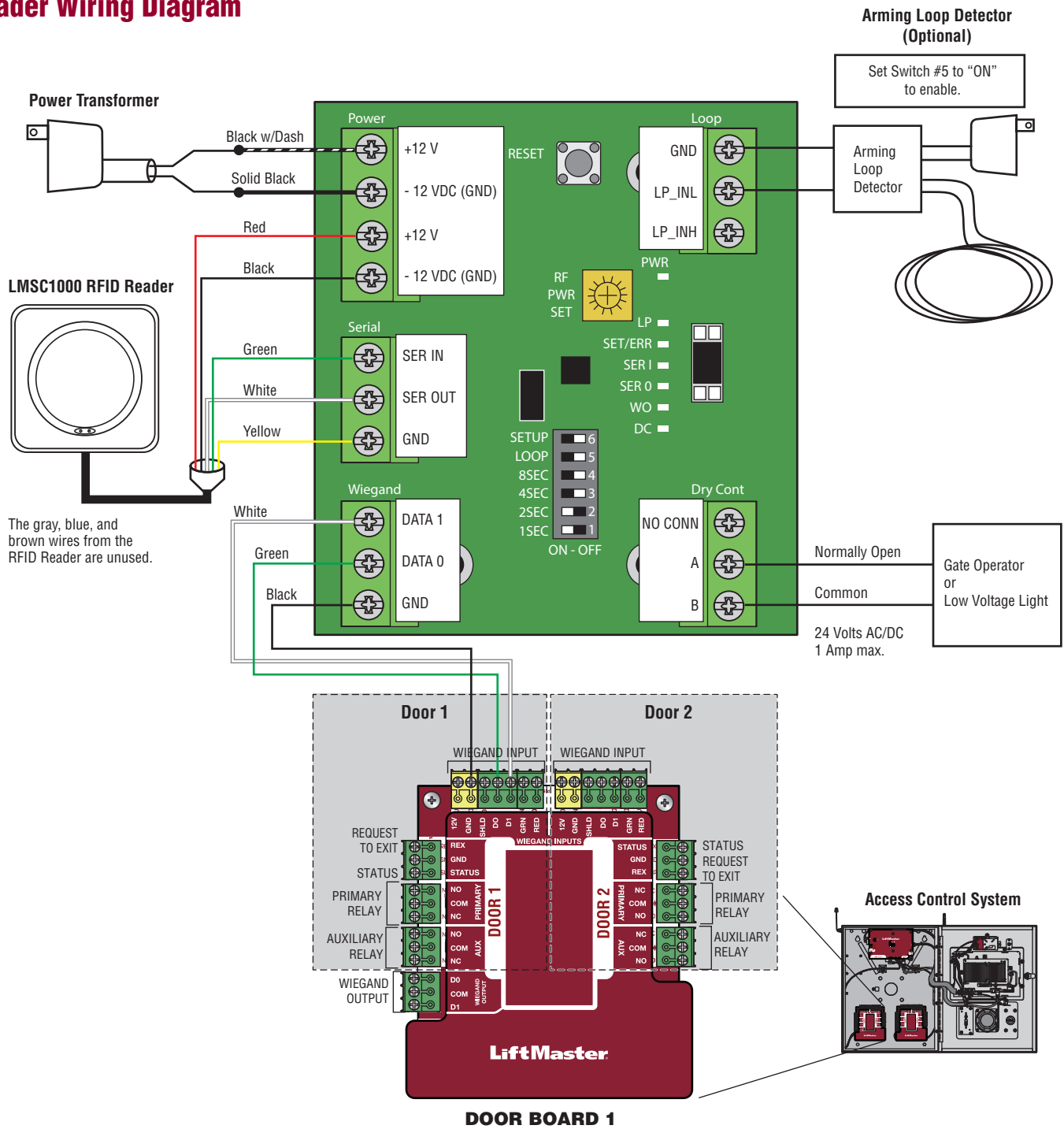
The LEDs on the front of the LMSC1000 Reader will illuminate red when powered. Blinking blue LEDs indicate an RFID tag is being read.

Dry Contact Relay Output

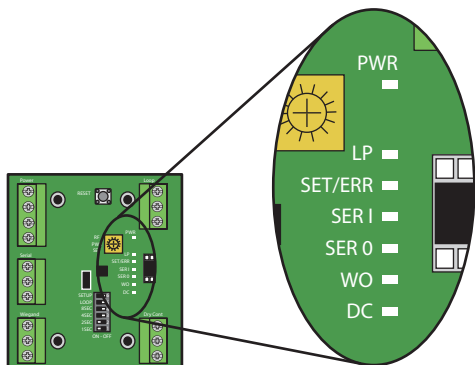
For applications where RFID tag holders want an external visual or audible notification that the reader processed their tag. The relay contacts change state for 2 seconds with every valid Wiegand output, if time delay is enabled the relay will only pulse once during the selected period.

Low voltage only, 24 Volts AC/DC 1 amp

Reader Wiring Diagram

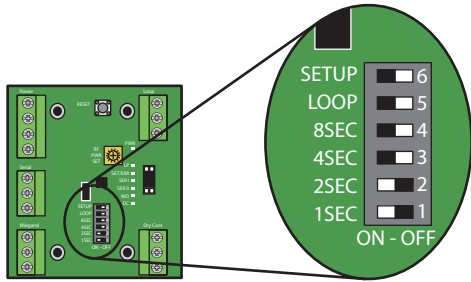


Wiegand Interface Module LEDs



Green (PWR)	Power (Solid when power present)
Green (LP)	Arming Loop (Solid when active)
Blue (SET/ERR)	Data Error Received from Reader
Red (SER 1)	Data Received from Reader (Flash)
Yellow (SER 0)	Data Transmitted to Reader (Flash)
Orange (WO)	Wiegand Data Output (Flash)
Orange (DC)	Relay Control Output (Flash)

Wiegand Interface Module Programming



Wiegand Retransmission Delay

The S2W Wiegand Interface Module has an adjustable Wiegand output retransmission delay from 0-15 seconds. When enabled, the S2W Wiegand Interface will transmit 1 Wiegand pulse and start the timer. If a tag remains in the active reading zone, the S2W Wiegand Interface will not transmit another pulse until the timer expires. The delay is set using the bottom 4 dip-switches shown above. When the switch is set to the left it is in the "On" position. Use the chart to the right to select the desired amount of retransmission delay (in seconds). The default setting is 3 seconds delay.

NOTE: The power to the S2W Wiegand Interface must be cycled for any switch changes to take effect.

1	2	3	4	Delay (Seconds)
Off	Off	Off	Off	0
On	Off	Off	Off	1
Off	On	Off	Off	2
On	On	Off	Off	3
Off	Off	On	Off	4
On	Off	On	Off	5
Off	On	On	Off	6
On	On	On	Off	7
Off	Off	Off	On	8
On	Off	Off	On	9
Off	On	Off	On	10
On	On	Off	On	11
Off	Off	On	On	12
On	Off	On	On	13
Off	On	On	On	14
On	On	On	On	15

Antenna Range Adjustment

The S2W Wiegand Interface Module has an antenna range adjustment located on the circuit board just left of the LED Display. To adjust the range perform the following steps:

1. Place the module in programming mode by setting switch 6 to "On"(left).
2. Locate the adjustment pot and turn clockwise to increase range or counter-clockwise to decrease range. The LED display will show the relative power setting (Max is all LEDs on).



3. To send the new range setting to the reader press the Reset button just above the range adjustment.
4. Once the desired range is set, place the module into operating mode by setting switch 6 (Setup) to "Off" (right).



Beeper Enable/Disable

By default, the LMSC1000 will beep when it reads an RFID tag. To toggle this feature (turn on or off) perform the following steps:

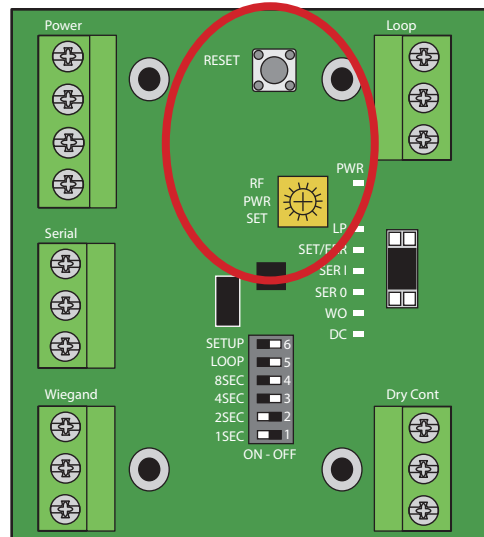
1. Place the module in programming mode by setting switch 6 (Setup) to "On" (left).
2. Turn the adjustment pot counter-clockwise to the minimum setting.



3. Press the Reset button just above the range adjustment to toggle the setting.



4. Return the antenna range setting to its original position.
5. Press the Reset button just above the range adjustment to set range.
6. Place the module into operating mode by setting switch 6 to "Off" (right).



Programming Your LiftMaster tags into myQ® Business™

When adding a new credential in myQ® Business™, go to the credentials tab, click “Add new credentials” and when selecting type, choose RFID_Tags_LiftMaster.

Please note, there is a section option for installations that have a Non LiftMaster Branded RFID system. If the RFID system is anything other than LiftMaster reader (LMSC1000) or LiftMaster RFID tags (LMUNTG/SPLMUNTG or LMHNTG/SPLMHNTG), follow the steps above, except when the drop down menu step comes up, choose RFID_Tags_Other_Mfgs.

Troubleshooting

Problem		Troubleshooting	Resolution
Reader does not read tags (Reader LED is Red and does not change)	Power	Check the power supply voltage at the closest termination to the reader (typically at the Wiegand interface module) with a Digital Multi-Meter (DMM). You should read >12VDC.	If the wiring distance and gauge are correct and the supply is <12VDC, replace the power supply with another rated at 12VDC 3A.
		Measure the wiring distance between the reader (mounted) and where the power supply plugs in to the main power source. This distance should not exceed 50'.	
		Check the wiring gauge to make sure it is within specification for this product (Cat5/6 should never be used for power).	
		If the above all checks out and the reader recovers with a power cycle to both reader and Wiegand module then investigate the main (115VAC) supply. If the main power source experiences a brown out condition (voltage drops below 100VAC but does not go away entirely), this may lock up the reader and cause it to malfunction.	Switch to a separate main power (115VAC) source or install a UPS system to provide a more stable power source.
Programming	Remove the serial connector (green, white and yellow wires from reader) from the Wiegand interface module and cycle power to both devices. If the reader regains normal function then the issue may be in the Wiegand interface module.	The Wiegand interface has a arming loop feature that will place the RFID reader into standby mode when the loop input is not active. Check the arming loop setting of the Wiegand interface module on dip switch S1-5 and make sure this switch is in the off position. If the setting is off and the problem persists, replace the Wiegand interface module.	
Final	If the reader does not recover after a power cycle and the above troubleshooting does not reveal the problem, there may be an issue internally in the reader.	Contact your channel partner and request an RMA to send in the reader for repair or order a replacement.	
Reader reads RFID tags however not at an adequate range. (The average read range should be 20-25')	Power	Check the power supply voltage at the closest termination to the reader (typically at the Wiegand interface module) with a DMM. You should read >12VDC.	There is a direct correlation between the quality of the power supplied to the reader and the reader range. Make sure that the wiring distance is kept to minimum (no coiled wire), gauge is correct and the supply is >12VDC. If all checks out proceed to the next section under programming.
		Measure the wiring distance between the reader (mounted) and where the power supply plugs in to the main power source. This distance should not exceed 50'.	
		Check the wiring gauge to make sure it is within specification for this product (Cat5/6 should never be used for power).	
	RFID Tags	You will not experience normal operating range if you are testing windshield/headlamp mount tags by hand. The tags need the intended mounting surface to achieve normal operating range.	Temporarily mount the tag to intended surface using tape and retest.
		Inspect the mounting of the RFID tags and make sure they are mounted correctly and away from any interference sources.	Consult the RFID tag installation manual and make sure that the tags are mounted correctly.
	Outside Interference	RFID readers are susceptible to interference from other electronic devices and environmental conditions.	
		Make sure the reader has free line of sight to the RFID tag on the vehicle in the road way. It cannot be obstructed in any way by foliage (plants, bushes, and trees) or metal (posts, signs, gate arms).	Remove any obstructions that are in front of the reader's read zone.
	Check the area around the installation for other electronic devices that may emit noise and interference such as high voltage power lines, florescent lights, cell phone towers, high power UHF radio transmitters or antennas (Including other RFID systems).	Investigate if any of these sources can be temporarily disabled to allow RFID reader testing. If the RFID reader range increases when the device is disabled then you have located the source of interference. You may need to relocate the interference source or RFID reader.	
Programming	This reader offers a range adjustment on the Wiegand interface module. This default sets the reader range at maximum however this may have changed.	Confirm the read range setting using the steps in the installation manual.	

Troubleshooting (continued)

Problem		Troubleshooting	Resolution
No Wiegand data received by Access Controller	System	Verify that the RFID Reader is acknowledging the tag by beeping and/or LED flashing blue.	If you do not receive a beep and/or a blue LED flash then the reader is not acknowledging the RFID tag.
		If the reader LED flashes blue, verify the reader is outputting serial data from the reader to Wiegand interface module (WIM). When the reader flashes blue there should be a corresponding red LED flash on the Wiegand interface.	If there is not a flash of the red LED when a tag is read then there is a problem with the serial data feed between the reader and WIM. Double check the wiring between the two devices to make sure all of the connections are correct. You may confirm data output by connecting a computer with serial connection and use a telnet program (such as putty). The settings for the connection should be 9600,8,N,1. You should see raw tag data if you connect to the reader using the following connection (Green - RXD, White - TXD, Yellow - Com). If there is no serial data coming from the reader then the reader has malfunctioned and needs repair. If there is serial data coming from the reader then the problem is in the WIM and it needs to be replaced.
		If the reader LED flashes blue and the WIM flashes red, check to make sure the top orange LED flashes (the initial flash should be instant however repeat flashes are controlled by the re-transmission control). The orange LED indicates when a Wiegand pulse is sent to the access controller.	If no orange LED flash is observed then there is a problem with the WIM and it should be replaced.
		If the reader LED flashes blue, WIM flashes red and top orange LED flashes there may be a wiring issue between the WIM and your access controller.	Make sure your wiring run is less than the maximum distance of 350' (107 m).
			With a DMM, measure for DC voltage between the Data 1 and COM as well as Data 0 and COM. You should read a normal operating voltage of at least 4.9-5VDC. A reading of less than this voltage indicates a voltage drop potentially due to cable distance or poor connections.
			Disconnect the Wiegand connector from the WIM module (Access Controller still connected) and measure the voltage at the connector. This will test the wiring run from your access controller to WIM and should be >4.9VDC. If you measure 0VDC then there is a break in your wiring run.
			Disconnect the Wiegand connection from the Access Controller (WIM still connected) and measure the voltage at the connector. This will test the wiring run from your WIM to Access Controller and should be >4.9VDC. If you measure 0 VDC then there is a break in your wiring run.
Printed RFID Tag IDs do not match what is received on the access controller.	Programming	The Wiegand interface outputs 26-bit Wiegand data. Make sure that the access controller you are using is set to receive 26-bit Wiegand inputs.	Try swapping the Data 0 and Data 1 wires at either the Wiegand interface or access controller and retest.
Reader is sending too many tag reads to the access controller.	Programming	The factory default is to send a Wiegand output for every tag read made by the RFID reader. This is adjustable and a delay can be programmed to minimize the Wiegand outputs sent to the controller.	Change the Wiegand re-transmission delay setting (0-15 seconds) using the steps in the installation manual.

Service Parts

Part	Part Number
Mounting Bracket	K-AUMB RFID Bracket
Wiegand Interface Module	K-S2W Wiegand Interface Board
RF Power Supply - 3 amps	KSC12-3A

One Year Limited Warranty

LiftMaster warrants to the first consumer purchaser of this product that it is free from defect in materials and/or workmanship for a period of 1 year from the date of purchase.

NOTICE: This device complies with Part 15 of the FCC rules and Industry Canada's license-exempt RSSs. Operation is subject to the following two conditions: (1) this device may not cause harmful interference, and (2) this device must accept any interference received, including interference that may cause undesired operation. Any changes or modifications not expressly approved by the party responsible for compliance could void the user's authority to operate the equipment.

This device has been tested and found to comply with the limits for a Class B digital device, pursuant to part 15 of the FCC rules and Industry Canada ICES standard. These limits are designed to provide reasonable protection against harmful interference in a residential installation. This equipment generates, uses and can radiate radio frequency energy and, if not installed and used in accordance with the instructions, may cause

harmful interference to radio communications. However, there is no guarantee that interference will not occur in a particular installation. If this equipment does cause harmful interference to radio or television reception, which can be determined by turning the equipment off and on, the user is encouraged to try to correct the interference by one or more of the following measures:

- Reorient or relocate the receiving antenna.
- Increase the separation between the equipment and receiver.
- Connect the equipment into an outlet on a circuit different from that to which the receiver is connected.
- Consult the dealer or an experienced radio/TV technician for help.

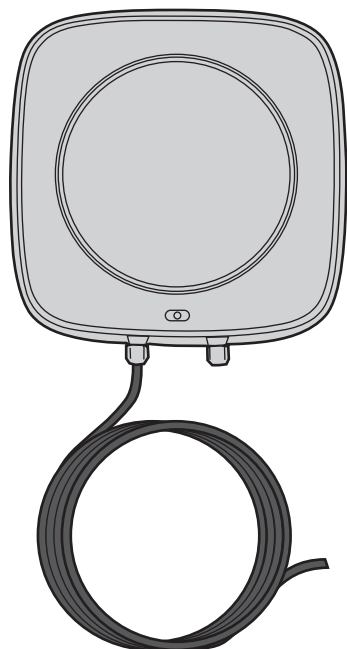
Introduction

Le lecteur d'identification à radiofréquence exclusif à LiftMaster et les étiquettes véhiculaires fournissent un accès rapide et simple à votre barrière. Le lecteur et les étiquettes véhiculaires LiftMaster doivent être utilisés conjointement comme système pour pouvoir fonctionner. Les étiquettes de marque LiftMaster ne peuvent être utilisées qu'avec le lecteur de marque LiftMaster. Pour usage avec les modèles CAPXL, CAP2D, EL2000SS et EL25.

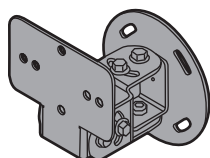


AVERTISSEMENT : Ce produit peut vous exposer à des produits chimiques comme le plomb, reconnu par l'État de la Californie comme cause de cancers, d'anomalies congénitales et d'autres problèmes liés à la reproduction. Pour plus d'informations, visitez www.P65Warnings.ca.gov

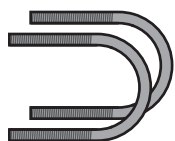
Contenu de la boîte



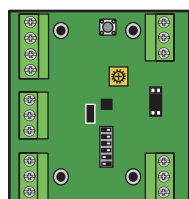
Lecteur LMSC1000



Support de montage

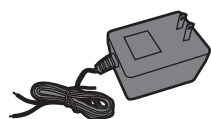


Boulons en U (2)



Module d'interface Wiegand S2W

Le module d'interface Wiegand S2W et le transformateur enfichable doivent être montés dans l'enceinte CAPXL ou un actionneur de barrière homologué à la norme UL 325.



Source d'alimentation stabilisée de 12 V 3 A

Caractéristiques du lecteur

Numéro de pièce	LMSC1000
ID de la FCC	XVY-IDRO900MA
Dimensions	26 cm x 26 cm x 3,8 cm (10,25 po x 10,25 po x 1,5 po)
Polarisation	Polarisée circulaire
Plage de fréquences	902 MHz ~ 928 MHz
Protocole pris en charge	ISO 18000-6C/EPC C1 G2, ISO 18000-6B
Portée de lecture	6,09 à 9,14 m (20 à 30 pi) (selon l'étiquette)
Anticollision	Jusqu'à 100 étiquettes/seconde
Environnement	Température de service : -20 C à 50 C Température d'entreposage : -20 C à 80 C
Connectivité	Wiegand à 26 bits (D0, D1, masse)
Alimentation électrique	12 V c. c., 3 A (câblage max. de 15,2 m' [50 pi] avec un câble toronné de calibre 18 ou plus gros. Tension minimale de 11,5 sous charge.
Puissance de sortie RF	Réglable de 13 à 30 dBm avec pas de 1 dB Précision de puissance +/- 0,5 dBm
Poids	0,88 kg < (31 oz) (Lecteur uniquement)
Protocole	ISO18000-6C C1G2
Logiciel	v.EI8070400

Étiquettes RFID LiftMaster prises en charge (commander séparément)



Étiquette RFID LiftMaster à accrocher LMHNTG/SPLMHTG*



Étiquette RFID à double usage LiftMaster LMUNTG/SPLMUNTG* (pare-brise/phare)

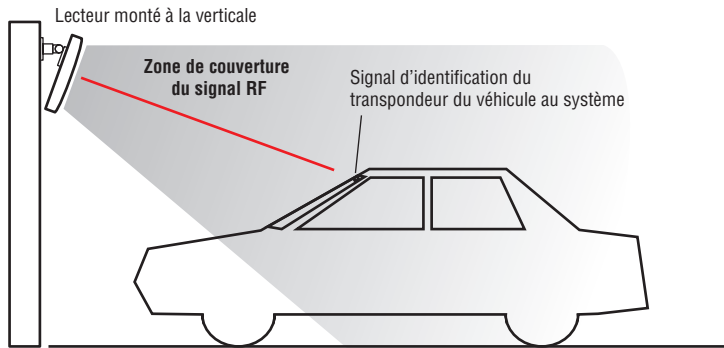
* Si un code d'installation et une ID de démarrage particuliers sont exigés, utiliser les numéros de pièce spéciale SPLMHTG, SPLMUNTG.

Installation

L'aménagement du site peut jouer un grand rôle dans le montage du lecteur et vous forcer à utiliser une orientation ou un emplacement particulier. Il est important de garder à l'esprit que le placement du lecteur a une incidence sur l'emplacement et le montage des étiquettes/transpondeurs RFID sur le véhicule. Voici quelques exemples de placement du lecteur et de son incidence sur le placement de l'étiquette du véhicule.

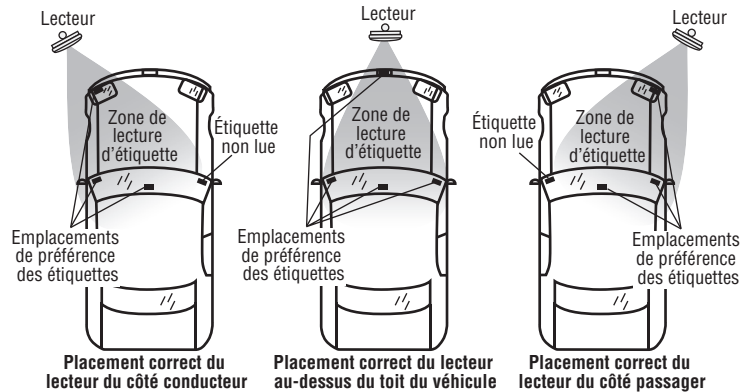
Remarque sur l'orientation :

Réduire le plus possible la distance entre le lecteur et l'étiquette (indiquée par la ligne rouge).



Pour des résultats optimaux, utiliser un vérificateur de signal pour tester la position d'installation désirée. Après avoir choisi l'orientation du lecteur, s'assurer que tous les lecteurs utilisés sur le site sont installés selon la même orientation pour garantir des lectures d'étiquette constantes (par exemple, toutes orientées du côté conducteur/à gauche).

L'exemple illustré est une recommandation générale, l'emplacement final doit être déterminé après avoir effectué un essai sur place.



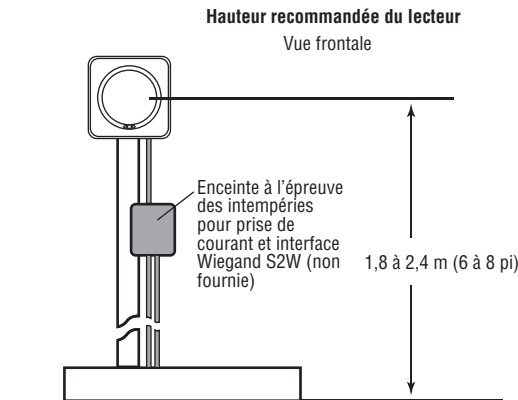
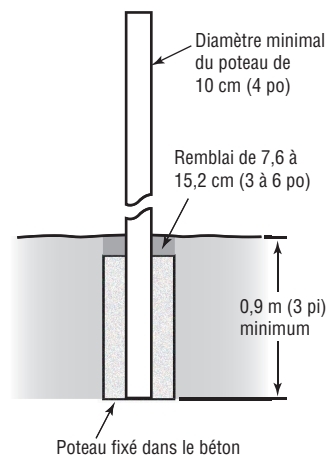
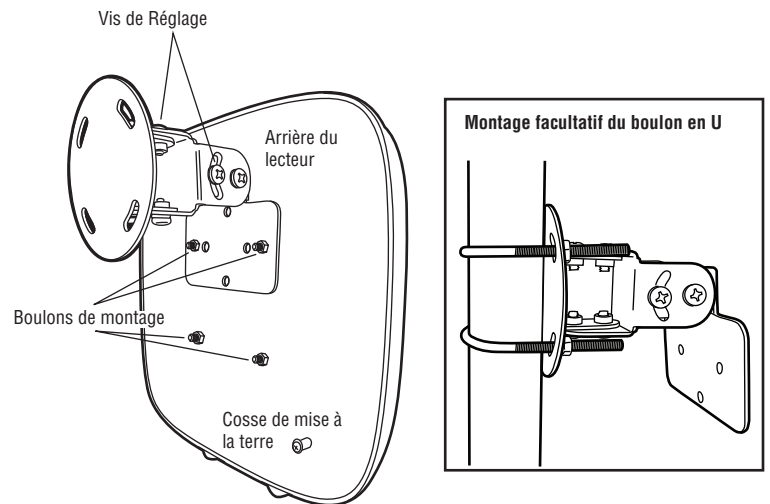
REMARQUE : Se servir de l'étiquette LMHNTG pour l'emplacement de l'étiquette sur le rétroviseur et de l'étiquette LMUNTG à tous les autres emplacements.

Montage du lecteur

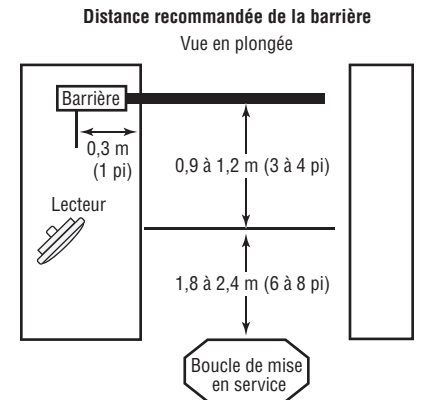
Étape 1 : Installer le support de montage à l'emplacement de montage désiré. Fixer le côté rond du support avec des vis appropriées.

Étape 2 : Fixer le lecteur au support de montage en enlevant les écrous de montage des boulons de montage situés à l'arrière du lecteur. Insérer les boulons du lecteur dans les trous du support de montage. Remettre en place les écrous de montage/ronLEDies de blocage et resserrer.

Étape 3 : Une fois le lecteur monté, l'orientation verticale du lecteur par rapport à la route peut être réglée avec les vis de réglage. L'angle particulier est déterminé par l'inclinaison moyenne de la surface de montage de l'étiquette du véhicule (p. ex., pare-brise, phare, etc.).



Le module d'interface Wiegand S2W et le transformateur enfichable doivent être montés dans l'enceinte CAPXL ou un actionneur de barrière homologué à la norme UL 325.



REMARQUE : Les exemples illustrés sont des recommandations générales, l'emplacement final doit être déterminé après avoir effectué un essai sur place.

Montage et câblage du module d'interface Wiegand

Les instructions suivantes correspondent aux dispositions des connexions de câblage sur le système de lecteur LMSC1000.

- Prendre des précautions spéciales pour protéger les composants du système en les plaçant dans une enceinte à l'épreuve des intempéries (vendue séparément).
- Dans l'enceinte à l'épreuve des intempéries, fournir une prise de courant de 115 V c. a. protégée de manière appropriée pour alimenter le lecteur par la source d'alimentation fournie.
- Après avoir installé une enceinte à l'épreuve des intempéries appropriée dotée d'une prise de courant, acheminer le câble du lecteur dans l'enceinte de manière à ce que cette dernière maintienne ses propriétés de protection contre les intempéries.
- Acheminer le fil de données Wiegand 0, le fil de données 1 et le fil commun de l'interface Wiegand S2W au tableau de commande d'accès de manière à ce qu'ils sortent de l'enceinte de manière sécuritaire en préservant les propriétés de protection contre les intempéries de l'enceinte.
- Le courant c .a. doit être acheminé dans un conduit séparé.
- La distance maximale du câble entre le lecteur et l'interface Wiegand S2W est de 5,8 mètres (19 pi).
- La distance maximale du câble entre le lecteur et le système de commande d'accès est de 107 mètres (350 pi) avec un fil 18 AWG.

Entrée de boucle de mise en service (facultative)

Dans les applications où de multiples lecteurs RFID se trouveront à proximité l'un de l'autre, cette fonction peut être utilisée pour activer le champ du lecteur UNIQUEMENT lorsque la boucle détecte la présence d'un véhicule.

Lorsque le commutateur 5 est en position de marche, la carte Wiegand envoie une commande à l'antenne de désactivation du champ du lecteur jusqu'à ce que la présence d'un véhicule soit détectée.

Indice de câble du lecteur

Couleur	Fonction
Jaune	Com
Verte	TXD
Blanc	RXD
Noir	-12 V c. c. (masse)
Rouge	+12 V c. c.

Indice d'alimentation électrique

Couleur	Fonction
Noir uni	-12 V c. c. (masse)
Noir avec pointillé	+12 V c. c.

Voyants à LED du lecteur

Les voyants à LED à l'avant du lecteur LMSC1000 s'allumeront en rouge lorsque celui-ci est mis sous tension. Les voyants à LED qui clignotent en bleu indiquent qu'une étiquette RFID est lue.

Sortie de relais de contact sec

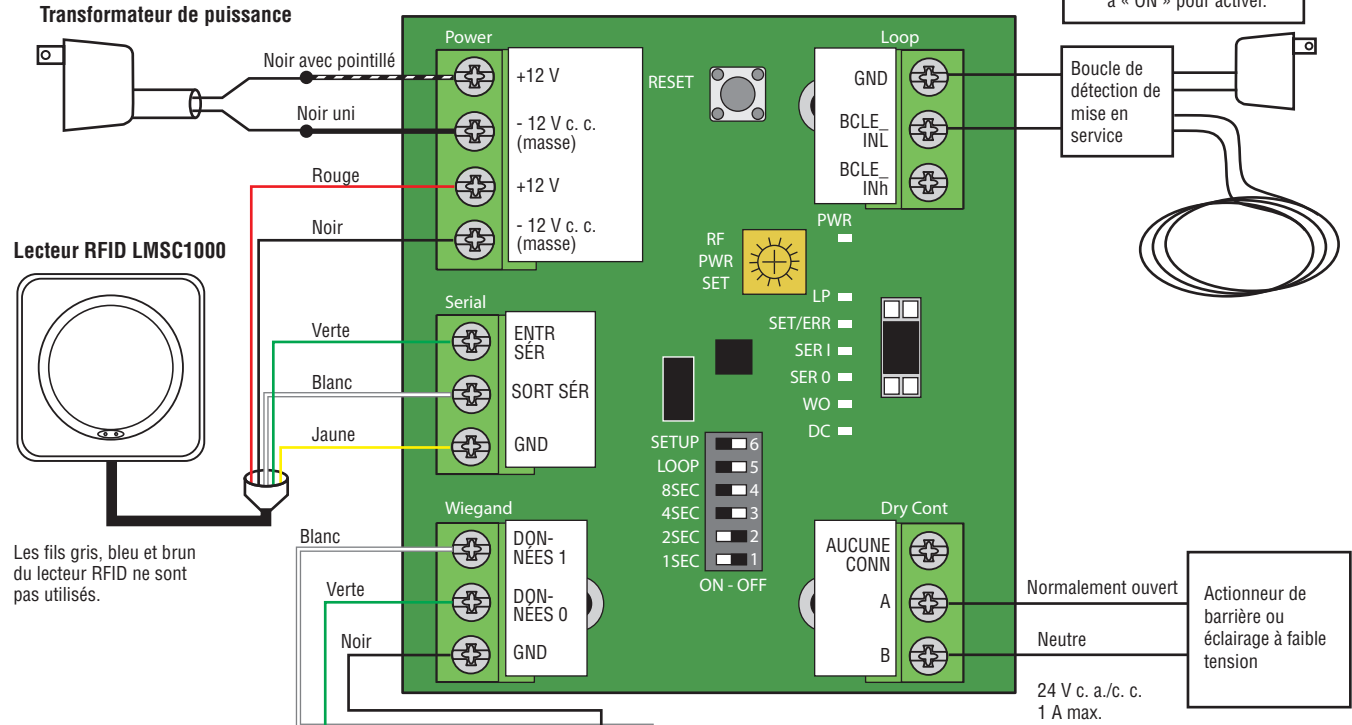
Pour les applications dans lesquelles les titulaires d'étiquettes RFID souhaitent recevoir une notification externe visuelle ou audible de la lecture de l'étiquette par le lecteur. Les contacts du relais changent d'état pendant deux secondes pour chaque sortie Wiegand valide; si le délai a été activé, le relais n'enverra qu'une seule impulsion pendant la période sélectionnée.

Faible tension uniquement, 24 V c. a./c. c., 1 A

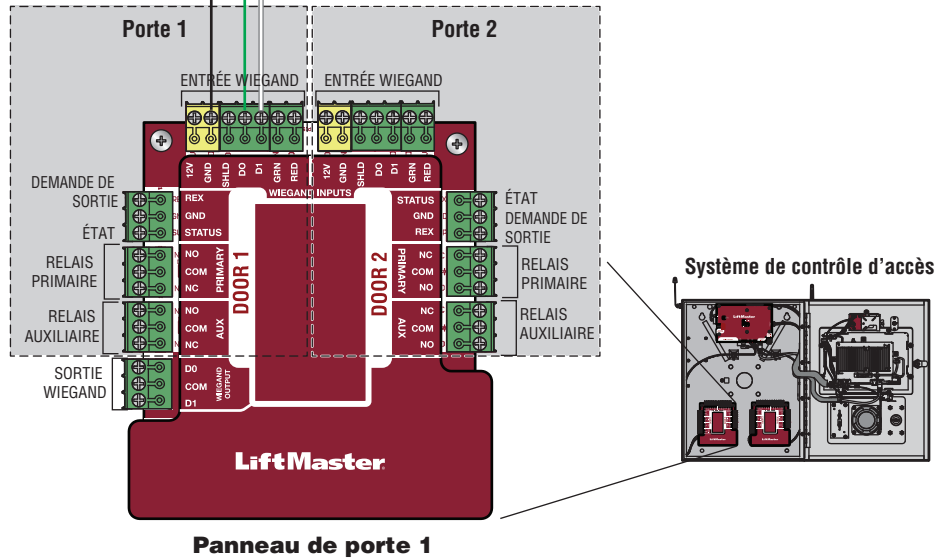
Schéma de câblage du lecteur

Boucle de détection de mise en service (facultative)

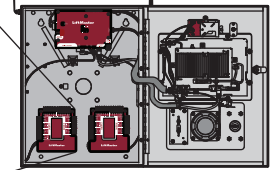
Régler le commutateur 5 à « ON » pour activer.



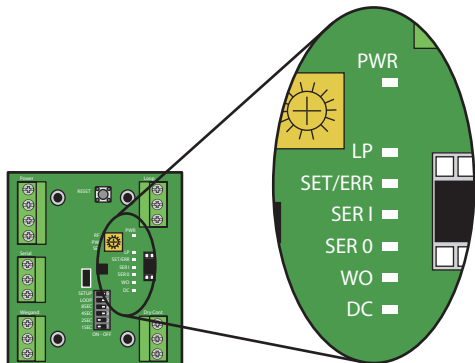
Les fils gris, bleu et brun du lecteur RFID ne sont pas utilisés.



Système de contrôle d'accès

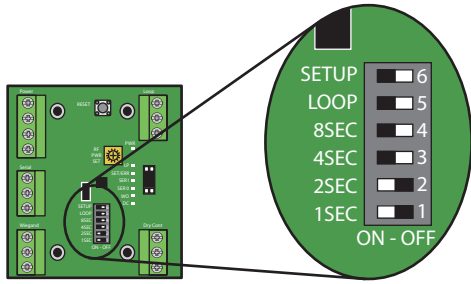


Voyants à LED du module d'interface Wiegand



Vert (PWR)	Alimentation (Allumé en continu lorsqu'une alimentation est présente)
Vert (LP)	Boucle de mise en service (Allumé en continu lorsque la boucle est active)
Bleu (SET/ERR)	Erreur de données reçue du lecteur
Rouge (SER 1)	Données reçues du lecteur (Clignotant)
Jaune (SER 0)	Données émises au lecteur (Clignotant)
Orange (WO)	Sortie de données Wiegand (Clignotant)
Orange (DC)	Sortie de commande du relais (Clignotant)

Programmation du module d'interface Wiegand



Délai de retransmission Wiegand

Le délai de retransmission de sortie Wiegand du module d'interface Wiegand S2W peut être réglé de 0 à 15 secondes. Lorsqu'elle est activée, l'interface Wiegand S2W transmettra une impulsion Wiegand et lancera la minuterie. Si une étiquette reste dans la zone de lecture active, l'interface Wiegand S2W ne transmettra pas d'autre impulsion avant la temporisation de la minuterie. Le délai est réglé en utilisant les 4 commutateurs DIP inférieurs montrés ci-dessus. Lorsque le commutateur est réglé à gauche, il est en position de marche (« ON »). Utiliser le tableau de droite pour sélectionner le délai de retransmission (en secondes). Le réglage par défaut du délai est de 3 secondes.

REMARQUE : Pour qu'un changement à un commutateur prenne effet, il faut faire passer l'interface Wiegand S2W par un cycle complet d'alimentation.

1	2	3	4	Délai (secondes)
Éteinte	Éteinte	Éteinte	Éteinte	0
Marche	Éteinte	Éteinte	Éteinte	1
Éteinte	Marche	Éteinte	Éteinte	2
Marche	Marche	Éteinte	Éteinte	3
Éteinte	Éteinte	Marche	Éteinte	4
Marche	Éteinte	Marche	Éteinte	5
Éteinte	Marche	Marche	Éteinte	6
Marche	Marche	Marche	Éteinte	7
Éteinte	Éteinte	Éteinte	Marche	8
Marche	Éteinte	Éteinte	Marche	9
Éteinte	Marche	Éteinte	Marche	10
Marche	Marche	Éteinte	Marche	11
Éteinte	Éteinte	Marche	Marche	12
Marche	Éteinte	Marche	Marche	13
Éteinte	Marche	Marche	Marche	14
Marche	Marche	Marche	Marche	15

Réglage de la portée de l'antenne

Le module d'interface Wiegand S2W est doté d'une vis de réglage de la portée de l'antenne située sur la carte de circuit imprimé, juste à gauche de l'affichage à LED. Pour régler la portée, effectuer les étapes suivantes :

1. Faire passer le module en mode de programmation en réglant le commutateur 6 à la position de marche (à gauche).
2. Repérer la vis de réglage et la tourner en sens horaire pour accroître la portée ou en sens antihoraire pour réduire la portée. L'affichage à LED affichera le réglage de puissance relative (Max correspondant à toutes les LED allumées).



3. Pour envoyer le nouveau réglage au lecteur, appuyer sur le bouton de réinitialisation qui se trouve juste au-dessus de la vis de réglage de la portée.
4. Après avoir réglé la portée désirée, faire passer le module en mode de fonctionnement en réglant le commutateur 6 (configuration) à la position d'arrêt (à droite).



Activation/désactivation de l'avertisseur

Par défaut, le lecteur LMSC1000 émettra des bips lorsqu'il lit une étiquette RFID. Pour faire basculer cette fonction (l'activer ou la désactiver), effectuer les étapes suivantes :

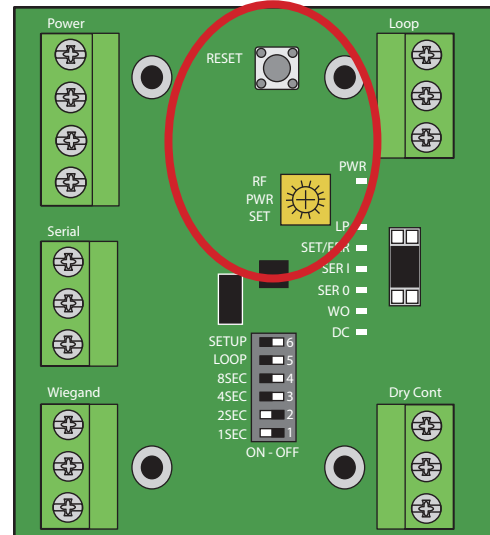
1. Faire passer le module en mode de programmation en réglant le commutateur 6 (configuration) à la position de marche (à gauche).
2. Tourner la vis de réglage en sens antihoraire au réglage minimum.



3. Enfoncer le bouton de réinitialisation qui se trouve juste au-dessus du réglage de la portée pour faire basculer le réglage.



4. Remettre le réglage de portée de l'antenne à sa position d'origine.
5. Enfoncer le bouton de réinitialisation qui se trouve juste au-dessus du réglage de la portée pour régler la portée.
6. Faire passer le module en mode de fonctionnement en réglant le commutateur 6 (configuration) à la position d'arrêt (à droite).



Programmation de vos étiquettes LiftMaster dans myQ® Business™

Lors de l'ajout d'un nouvel identifiant dans myQ® Business™, aller à l'onglet Credentials, cliquer sur « Add new credentials » (Ajouter de nouveaux identifiants) et au moment de sélectionner le type, choisir RFID_Tags_LiftMaster.

Veillez noter qu'il existe une option pour les installations avec système RFID d'une marque autre que LiftMaster. Si le système RFID ne se compose PAS d'un lecteur LiftMaster (LMSC1000) ou d'étiquettes RFID LiftMaster (LMUNTG/SPLMUNTG ou LMHNTG/SPLMHNTG), suivre les étapes ci-dessous. Toutefois, au moment de faire une sélection dans le menu déroulant, choisir RFID_Tags_Other_Mfgs.

Dépannage

Problème		Dépannage	Solution
Le lecteur ne lit pas les étiquettes (la LED du lecteur est allumée en rouge et ne change pas)	Alimentation	Vérifier la tension de l'alimentation électrique à l'extrémité la plus proche du lecteur (en général, au module d'interface Wiegand) avec un multimètre numérique. La lecture devrait être supérieure à 12 V c. c.	Si la distance de câblage et le calibre du câble sont corrects et que l'alimentation est supérieure à 12 V c. c., remplacer le câble d'alimentation par un autre d'une valeur nominale de 12 V c. c. et 3 A.
		Mesurer la distance entre le lecteur (monté) et l'endroit où le câble d'alimentation se branche à la source d'alimentation principale. La distance ne devrait pas dépasser 15,24 m (50 pi).'	
		Vérifier le calibre du câblage pour garantir qu'il est conforme aux spécifications pour ce produit (un câblage de catégorie 5/6 ne doit jamais être utilisé comme câble d'alimentation).	
		Si tous les éléments ci-dessus ont été vérifiés et que le lecteur se remet à fonctionner après l'avoir éteint et rallumé, de même qu'après avoir éteint et rallumé le module Wiegand, inspecter alors la source d'alimentation principale (115 V c. a.). Si la source d'alimentation connaît une baisse de tension (la tension chute sous 100 V c. a., mais n'est pas entièrement perdue), cela peut avoir pour conséquence de verrouiller le lecteur et de causer son mauvais fonctionnement.	Passer à une source d'alimentation (115 V c. a.) distincte ou installer un système d'alimentation sans coupure de manière à fournir une source d'alimentation plus stable.
	Programmation	Enlever le connecteur de série (les fils vert, blanc et jaune du lecteur) du module d'interface Wiegand et éteindre et rallumer les deux dispositifs. Si le lecteur reprend son fonctionnement normal, le problème pourrait provenir du module d'interface Wiegand.	L'interface Wiegand est dotée d'une fonction de boucle de mise en service qui place le lecteur RFID en mode de veille lorsque l'entrée de la boucle n'est pas active. Vérifier le réglage de la boucle de mise en service du module d'interface Wiegand sur le commutateur DIP S1-5 et s'assurer que le commutateur est en position d'arrêt. Si le réglage est en position d'arrêt et que le problème persiste, remplacer le module d'interface Wiegand.
	Final	Si le lecteur ne se remet pas en marche après l'avoir éteint et rallumé et que les instructions de dépannage ci-dessus ne révèlent pas le problème, celui-ci est peut-être interne au lecteur.	Contactez votre partenaire de distribution et demandez une autorisation de retour de marchandise pour envoyer le lecteur à réparer ou commander un lecteur de rechange.
Le lecteur lit les étiquettes RFID, mais il ne le fait pas à une distance adéquate. (La distance de lecture moyenne devrait être de 6 à 7,6 m [20 à 25 pi].')	Alimentation	Vérifier la tension de l'alimentation électrique à l'extrémité la plus proche du lecteur (en général, au module d'interface Wiegand) avec un multimètre numérique. La lecture devrait être supérieure à 12 V c. c.	Il existe une corrélation directe entre la qualité de l'alimentation fournie au lecteur et la portée du lecteur. Vérifier que la distance de câblage a été réduite au minimum (pas de fil tortillé), que le calibre du fil est approprié et que l'alimentation est supérieure à 12 V c. c. Si tous les éléments ont été vérifiés, passer à la prochaine section sous Programmation.
		Mesurer la distance entre le lecteur (monté) et l'endroit où le câble d'alimentation se branche à la source d'alimentation principale. La distance ne devrait pas dépasser 15,24 m (50 pi).'	
		Vérifier le calibre du câblage pour garantir qu'il est conforme aux spécifications pour ce produit (un câblage de catégorie 5/6 ne doit jamais être utilisé comme câble d'alimentation).	
	Étiquettes d'identification par radiofréquence (RFID).	Il vous sera impossible de savoir quelle est la portée de fonctionnement normale si les étiquettes à apposer sur le pare-brise/phare sont testées à la main. Les étiquettes doivent être sur la surface de montage prévue pour obtenir une portée de lecture normale.	Monter temporairement l'étiquette à la surface prévue avec du ruban adhésif et tester de nouveau l'étiquette.
		Inspecter le montage des étiquettes RFID et vérifier qu'elles sont montées correctement et à l'écart de toutes sources de brouillage.	Consulter le manuel d'installation de l'étiquette RFID et vérifier que les étiquettes sont montées correctement.
	Brouillage extérieur	Les lecteurs d'identification par radiofréquence sont susceptibles au brouillage causé par d'autres appareils électroniques et par les conditions environnementales.	
		S'assurer que le lecteur est en ligne de vue directe de l'étiquette RFID du véhicule dans l'entrée. Il ne peut être obstrué de quelque façon que ce soit par le feuillage (plantes, buissons et arbres) ou par du métal (poteaux, enseignes, bras de barrière).	Enlever tout obstacle qui se trouve devant la zone de lecture du lecteur.
Vérifier la zone qui entoure l'installation pour y détecter tout autre appareil électronique qui pourrait émettre du bruit et causer un brouillage comme des lignes de haute tension, des lampes à éclairage fluorescent, des tours de téléphonie cellulaire, des émetteurs radio ou antennes UHF de forte puissance (y compris d'autres systèmes RFID).		Voir s'il est possible de désactiver temporairement ces sources pour permettre la mise à l'essai du lecteur RFID. Si la portée du lecteur RFID s'accroît lorsque le dispositif est désactivé, la source du brouillage a donc été localisée. Il faudra peut-être placer ailleurs l'appareil qui cause le brouillage ou le lecteur RFID.	
Programmation	La portée du lecteur peut être réglée sur le module d'interface Wiegand. Par défaut, la portée est réglée à la distance maximale, mais cela peut avoir changé.	Confirmer le réglage de la portée de lecture en suivant les étapes dans le manuel d'installation.	

Dépannage (suite)

Problème		Dépannage	Solution
Aucune donnée Wiegand n'est reçue du système de contrôleur	Système	Vérifier que le lecteur RFID reconnaît l'étiquette en émettant des bips et/ou en faisant clignoter le voyant à LED bleu.	Si aucun bip n'est émis et/ou que le voyant à LED bleu ne clignote pas, c'est que le lecteur ne reconnaît pas l'étiquette RFID.
		Si le lecteur fait clignoter le voyant à LED bleu, vérifier qu'il produit des données sérielles du lecteur au module d'interface Wiegand (MIW). Lorsque le voyant du lecteur clignote en bleu, un voyant à LED correspondant devrait clignoter en rouge sur l'interface Wiegand.	Si aucun voyant ne clignote en rouge sur le module lorsqu'une étiquette est lue, il existe alors un problème de source de données sérielles entre le lecteur et le MIW. Vérifier le câblage entre les deux appareils et les connexions. La sortie de données peut être confirmée en connectant un ordinateur avec prise série et en utilisant un programme Telnet (comme PuTTY). Les paramètres de connexion doivent être 9600,8,N,1. Il devrait être possible de voir les données brutes de l'étiquette en se connectant au lecteur de la façon suivante (vert - RXD, blanc - TXD, jaune - Com). Si aucune donnée sérielle ne provient du lecteur, ce dernier est défectueux et doit être réparé. Si des données sérielles proviennent du lecteur, le MIW est défectueux et doit être remplacé.
		Si le voyant à LED du lecteur clignote en bleu et que celui du MIW clignote en rouge, vérifier que le voyant à LED supérieur clignote en orange (le clignotement initial devrait être instantané, toutefois, les clignotements répétés sont contrôlés par la commande de retransmission). Le voyant à LED orange indique qu'une impulsion est envoyée au contrôleur d'accès.	Si le voyant à LED orange ne clignote pas, c'est que le MIW est défectueux et doit être remplacé.
		Si le voyant à LED du lecteur clignote en bleu, que celui du MIW clignote en rouge et que le voyant à LED supérieur clignote en orange, il peut alors y avoir un problème de câblage entre le MIW et le contrôleur d'accès.	Vérifier que la longueur du câblage est inférieure à la distance maximale de 107 mètres(350 pi)..
			Avec un multimètre numérique, mesurer la tension c. c. entre le câble de DONNÉES 1 et COM, de même qu'entre le câble de DONNÉES 0 et COM. La lecture de service normale devrait être d'au moins 4,9 à 5 V c. c. Une lecture inférieure à cette tension indique une chute potentiellement due à la longueur du câble ou à des connexions médiocres.
	Déconnecter le connecteur Wiegand du module d'interface Wiegand (le contrôleur d'accès étant toujours connecté) et mesurer la tension au connecteur. Cela permettra de tester le câblage du contrôleur d'accès au MIW. La tension devrait être supérieure à 4,9 V c. c. Si la tension mesurée est nulle, c'est qu'il y a rupture à un point quelconque du câblage.		
	Déconnecter le connecteur Wiegand du contrôleur d'accès (le MIW étant toujours connecté) et mesurer la tension au connecteur. Cela permettra de tester le câblage du MIW au contrôleur d'accès. La tension devrait être supérieure à 4,9 V c. c. Si la tension mesurée est nulle, c'est qu'il y a rupture à un point quelconque du câblage.		
Les identifications d'étiquette RFID imprimées ne correspondent pas à ce qui est reçu sur le contrôleur d'accès.	Programmation	L'interface Wiegand produit une sortie de données Wiegand de 26 bits. Vérifier que le contrôleur d'accès utilisé est réglé pour recevoir des entrées Wiegand de 26 bits.	Essayer d'inverser les fils de DONNÉES 0 et de DONNÉES 1 à l'interface Wiegand ou au contrôleur d'accès et tester de nouveau.
Le lecteur envoie trop de lectures d'étiquettes au contrôleur d'accès.	Programmation	Par défaut, une sortie Wiegand est envoyée pour chaque étiquette lue par le lecteur RFID. Ce paramètre est réglable et un délai peut être programmé pour minimiser le nombre de sorties Wiegand envoyées au contrôleur.	Modifier le paramètre de délai de retransmission (0 à 15 secondes) en suivant les étapes fournies dans le manuel d'installation.

Pièces de réparation

Pièce	Numéro de pièce
Support de montage	Support RFID K-AUMB
Module d'interface Wiegand	Carte d'interface Wiegand K-S2W
Alimentation électrique RF – 3 A	KSC12-3A

Garantie limitée de 1 an

LiftMaster garantit à l'acheteur initial de ce produit que celui-ci est exempt de tout défaut matériel et/ou de fabrication pendant une période d'un an suivant la date d'achat.

AVERTISSEMENT : Cet appareil est conforme aux dispositions de la partie 15 du règlement de la FCC et de l'exemption de licence des appareils radio d'Innovation, Sciences et Développement économique Canada. L'utilisation est assujettie aux deux conditions suivantes : (1) ce dispositif ne peut causer de brouillage nuisible, et (2) ce dispositif doit accepter tout brouillage reçu, y compris tout brouillage pouvant causer un fonctionnement indésirable. Tout changement ou modification non expressément approuvés par la partie responsable de la conformité pourrait annuler l'autorité de l'utilisateur d'utiliser l'équipement.

Cet appareil a été testé et déclaré conforme aux limites d'un dispositif numérique de Classe B, conformément à la partie 15 du règlement de la FCC et de la norme NMB d'Innovation, Sciences et Développement économique Canada. Ces limites ont pour but de fournir une protection raisonnable contre le brouillage nuisible dans une installation résidentielle. Cet équipement génère, utilise et peut émettre des fréquences radio et, s'il n'est pas

installé et utilisé conformément aux instructions, peut causer un brouillage nuisible aux communications radio. Cependant, rien ne garantit l'absence de brouillage dans une installation particulière. Si cet équipement cause un brouillage nuisible à la réception radio ou télévisée, ce qui peut être déterminé en éteignant et en rallumant l'équipement, l'utilisateur est invité à tenter de corriger le brouillage en prenant l'une des mesures suivantes :

- Réorienter ou relocaliser l'antenne de réception.
- Augmenter la distance entre l'équipement et le récepteur.
- Connecter l'équipement dans une prise de courant sur un circuit différent de celui auquel le récepteur est branché.
- Pour obtenir de l'aide, consulter le détaillant ou un technicien radio chevronné.

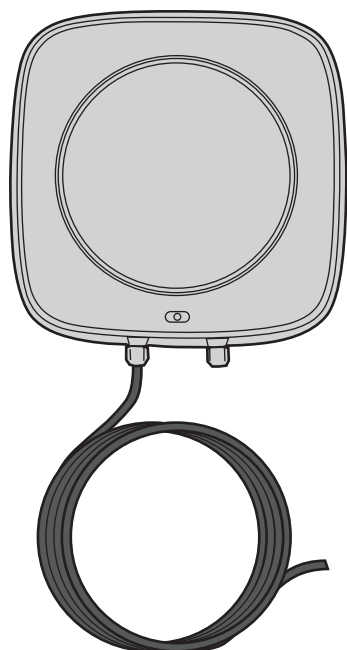
Introducción

El lector patentado de gran alcance y las etiquetas de vehículos LiftMaster le brindan un acceso rápido y fácil a su portón. El lector y las etiquetas de vehículos LiftMaster se deben usar como un sistema para que funcionen. Las etiquetas marca LiftMaster solo se pueden usar con el lector marca LiftMaster. Para utilizar con CAPXL, CAP2D, EL2000SS y EL25.

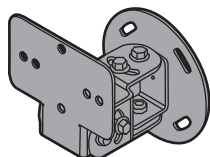


ADVERTENCIA: Este producto puede exponerle a productos químicos (incluido el plomo), que a consideración del estado de California causan cáncer, defectos congénitos u otros daños reproductivos. Para más información, visite www.P65Warnings.ca.gov

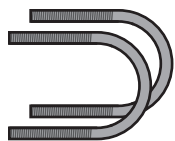
Contenido de la caja



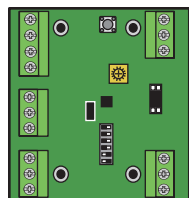
Lector LMSC1000



Ménsula de montaje

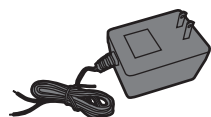


Pernos "U" (2)



Módulo de interfaz Wiegand S2W

El módulo de interfaz Wiegand S2W y el transformador enchufable se montarán en el gabinete CAPXL o en un operador de portón con certificación UL 325.



Fuente de alimentación de energía regulada de 12 V 3 A

Especificaciones del lector

NÚMERO DE PIEZA	LMSC1000
Identificador de la FCC	XVY-IDR0900MA
Dimensiones	26 cm x 26 cm x 3,8 cm (10,25 pulg x 10,25 pulg x 1,5 pulg)
Polarización	Polarización circular
Rango de frecuencia	902 Mhz ~ 928 MHz
Protocolo admitido	ISO 18000-6C/EPC C1 G2, ISO 18000-6B
Alcance de lectura	6 a 9.1 m (20 a 30 pies) (Según la etiqueta)
Anticolisión	Hasta 100 etiquetas/segundo
Ambiente	Temperatura de servicio: - 20 C a + 50 C Temperatura de almacenamiento: - 20 C a + 80 C
Conectividad	Wiegand 26 bits (D0, D1, GND)
Alimentación de energía	12 VCC, 3 A (cableado máx. 15.2 m' [50 pies] con un cable trenzado calibre 18 o más grande. Voltaje mínimo de 11.5 bajo carga.
Potencia de salida de la radiofrecuencia	13-30 dBm ajustables en pasos de 1 dB Precisión de potencia +/- 0.5 dBm
Peso	< 31.0 oz. (Lector solamente)
Protocolo	ISO18000-6C C1G2
Firmware	v.EI8070400

Etiquetas de RFID LiftMaster compatibles (se piden por separado)



LMHNTG/SPLMHTG*
Etiqueta de RFID colgante
LiftMaster



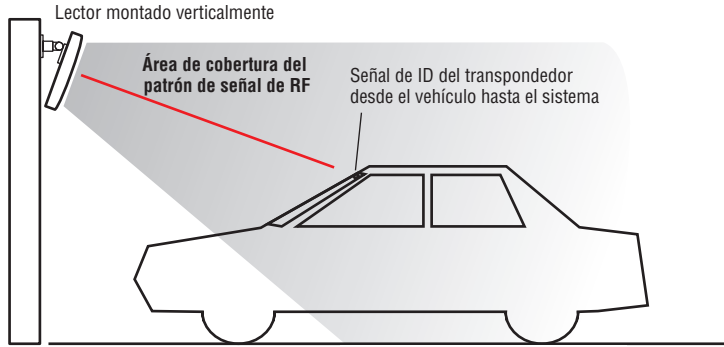
LMUNTG/SPLMUNTG*
Etiqueta de RFID de doble uso
LiftMaster (Parabrisas/Faro)

* Si requiere un código de instalación y una identificación de inicio específicos, use los n.º de partes especiales SPLMHTG, SPLMUNTG.

Instalación

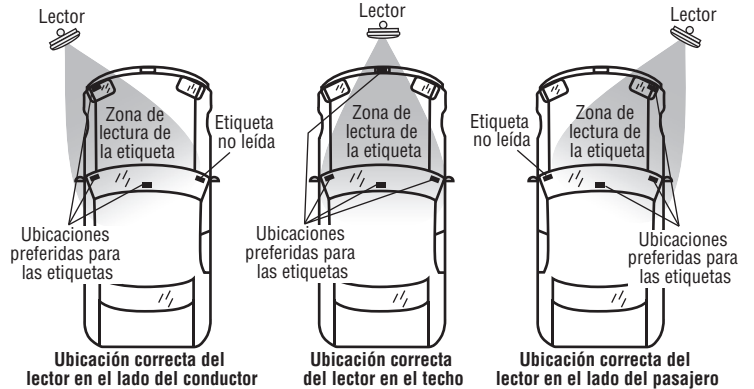
La disposición del lugar juega un papel importante sobre dónde puede montar el lector y puede determinar el uso de una ubicación u orientación particular. Es muy importante tener presente cómo la ubicación del lector afecta dónde y cómo usted monta las etiquetas o los transpondedores de RFID en el vehículo. Aquí se incluyen algunos ejemplos de ubicaciones del lector y cómo afectan la ubicación de la etiqueta.

Nota de orientación: Reduzca la distancia entre el lector y la etiqueta tanto como sea posible (se muestra como una línea roja).



A fin de obtener mejores resultados, use un comprobador de señal para verificar la posición de instalación deseada. Una vez que ha seleccionado la orientación del lector, asegúrese de que todos los lectores que usará en el lugar estén instalados en la misma orientación para asegurarse de que las lecturas de etiquetas sean consistentes (por ejemplo, todos en el lado izquierdo o del conductor).

El ejemplo que se muestra es una recomendación general, la ubicación final debería decidirse después de una prueba en campo.



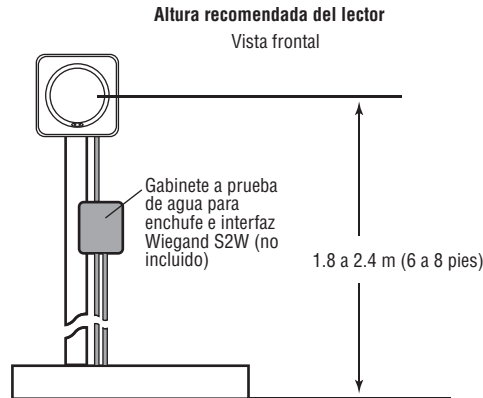
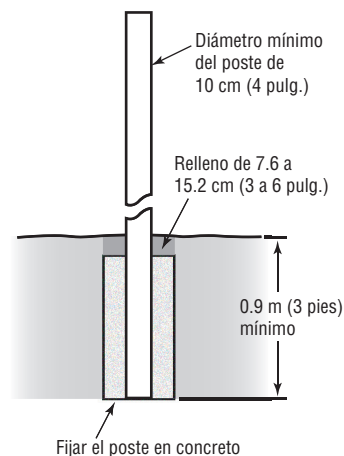
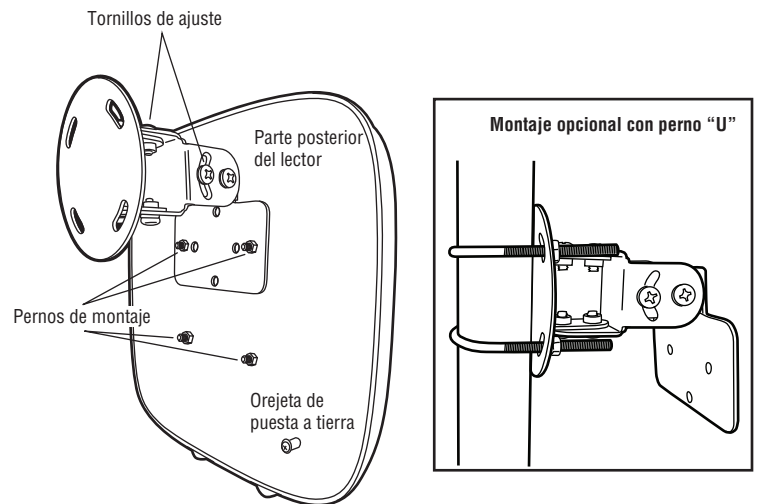
NOTA: Use la etiqueta LMHNTG para la ubicación en el espejo retrovisor y la etiqueta LMUNTG para todas las demás ubicaciones.

Montaje del lector

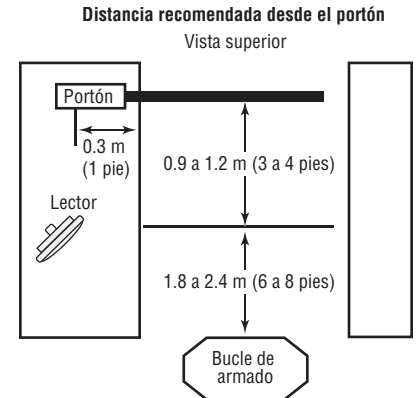
Paso 1: Instale la ménsula de montaje en la ubicación de montaje deseada. Sujete el lado curvo de la ménsula con los tornillos adecuados.

Paso 2: Fije el lector a la ménsula de montaje quitando las tuercas de montaje de los pernos de montaje ubicados en la parte posterior del lector. Coloque los pernos del lector en los orificios de la ménsula de montaje. Vuelva a instalar las tuercas y rondanas de montaje y vuelva a ajustarlas.

Paso 3: Una vez que el lector esté montado, la orientación vertical del lector con respecto a la calzada puede ajustarse usando los tornillos de ajuste. El ángulo específico es determinado por la pendiente promedio de la superficie de montaje de la etiqueta del vehículo (p. ej., parabrisas, faro, etc.).



El módulo de interfaz Wiegand S2W y el transformador enchufable se montarán en el gabinete CAPXL o en un operador de portón con certificación UL 325.



NOTA: Los ejemplos que se muestran son recomendaciones generales, la ubicación final debería decidirse después de una prueba en campo.

Montaje y cableado del módulo de interfaz Wiegand

Las siguientes son las disposiciones para las conexiones de cableado en el sistema lector LMSC1000.

- Tenga especial cuidado de proteger los componentes del sistema ubicándolos en un gabinete a prueba de agua (se vende por separado).
- En el gabinete a prueba de agua, incluya un enchufe de 115 VCA debidamente protegido para alimentar el lector mediante el suministro de energía proporcionado.
- Una vez que haya instalado un gabinete a prueba de agua adecuado con enchufe, pase el cable del lector de modo que ingrese de manera segura al gabinete y mantenga las capacidades de impermeabilización del gabinete.
- Pase los cables Common, Data 1 y Data 0 Wiegand desde la interfaz Wiegand S2W hasta el panel de control de acceso de modo que salgan de manera segura del gabinete y mantengan las capacidades de impermeabilización de este.
- El cable de CA se debe pasar por un conducto separado.
- La distancia máxima del cable entre el lector y la interfaz Wiegand S2W debe ser de 5.8 m (19 pies).
- La distancia máxima del cable entre el lector y el sistema de control de acceso debe ser de 107 m (350 pies) con un cable de 18 AWG.

Entrada de bucle de armado (opcional)

En las aplicaciones donde haya muchos lectores de RFID cerca, esta función se puede usar para encender el campo de lectura SOLAMENTE cuando el bucle detecte la presencia de un vehículo.

Cuando el interruptor 5 se enciende, el tablero Wiegand envía un comando a la antena para apagar el campo de lectura hasta que se detecte la presencia de un vehículo.

Índice de cables del lector

Color	Función
Amarillo	Com
Verde	TXD
Blanco	RXD
Negro	-12 VCC (TIERRA)
Rojo	+12 VCC

Índice de la alimentación de energía

Color	Función
Negro	-12 VCC (TIERRA)
Negro c/rayas	+12 VCC

LED del lector

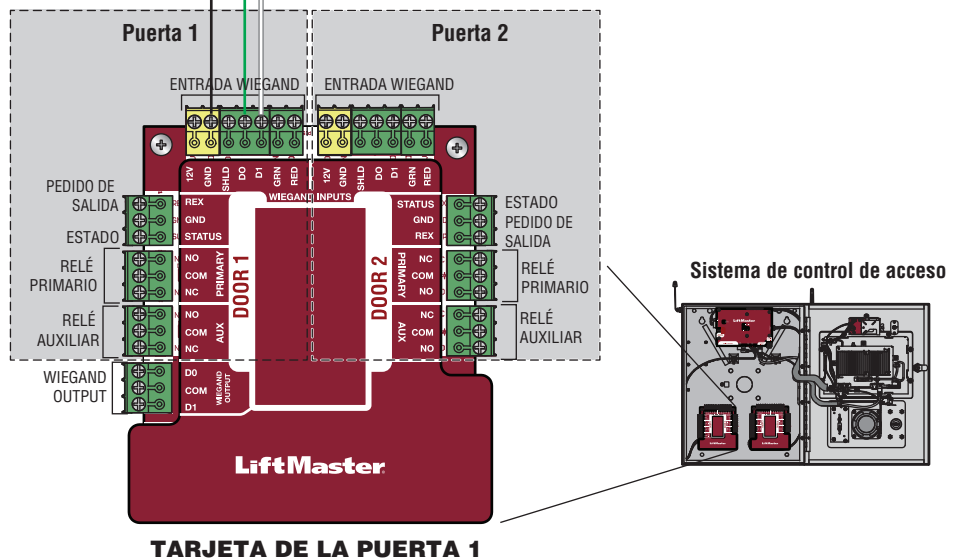
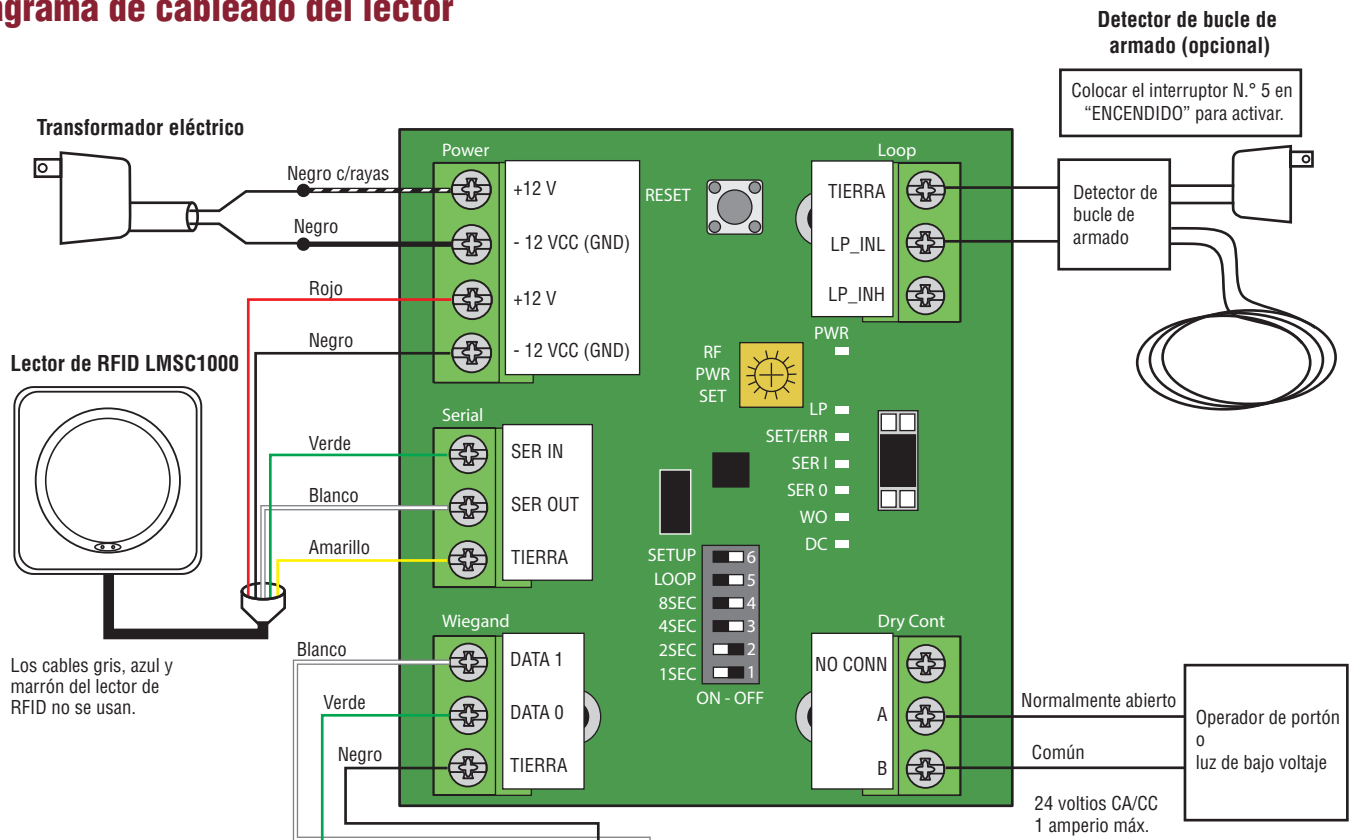
Los LED en el frente del lector LMSC1000 se iluminarán en rojo cuando enciendan. Los LED azules parpadeantes indican que se está leyendo una etiqueta de RFID.

Salida de relé de contacto seco

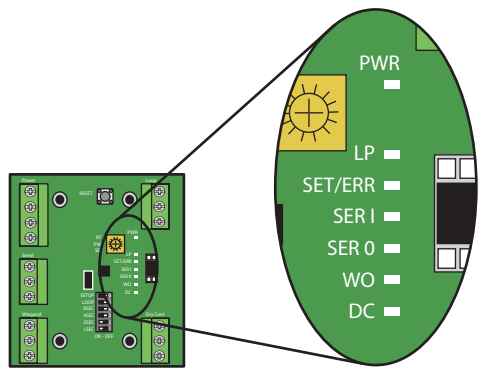
Para aplicaciones donde los portadores de etiquetas de RFID desean tener una notificación externa visual o auditiva de que el lector procesó su etiqueta. Los contactos del relé cambian de estado durante 2 segundos con cada salida Wiegand válida, si el retraso de tiempo está activado el relé solo generará un impulso durante el período seleccionado.

Bajo voltaje únicamente, 24 Voltios CA/CC 1 amperio

Diagrama de cableado del lector

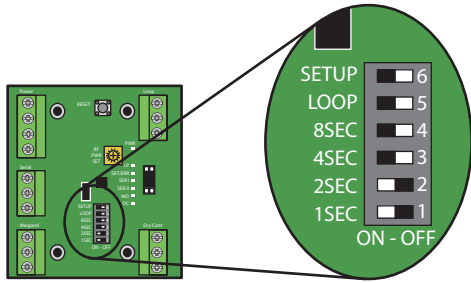


LED del módulo de interfaz Wiegand



Verde (PWR)	Energía (Encendido sin parpadear cuando hay energía)
Verde (LP)	Detector de armado (Encendido sin parpadear cuando está activo)
Azul (SET/ERR)	Error de datos recibido del lector
Rojo (SER 1)	Datos recibidos del lector (Parpadeo)
Amarillo (SER 0)	Datos transmitidos al lector (Parpadeo)
Anaranjado (WO)	Salida de datos Wiegand (Parpadeo)
Anaranjado (DC)	Salida de control del relé (Parpadeo)

Programación del módulo de interfaz Wiegand



Retraso de retransmisión Wiegand

El módulo de interfaz Wiegand S2W tiene un retraso de retransmisión ajustable de salida Wiegand de 0 a 15 segundos. Cuando se activa, la interfaz Wiegand S2W transmite 1 pulso Wiegand e inicia el temporizador. Si una etiqueta permanece en la zona de lectura activa, la interfaz Wiegand S2W no transmitirá otro pulso hasta que el temporizador expire. El retraso se configura usando los 4 interruptores dip que se muestran arriba. Cuando el interruptor se coloca a la izquierda, está en la posición de "Encendido". Use la tabla de la derecha para seleccionar la cantidad deseada de retrasos de retransmisión (en segundos). La configuración predeterminada es un retraso de 3 segundos.

NOTA: La alimentación a la interfaz Wiegand S2W se debe reiniciar para que cualquier cambio en el interruptor surta efecto.

1	2	3	4	Retraso (Segundos)
Apagado	Apagado	Apagado	Apagado	0
Encendido	Apagado	Apagado	Apagado	1
Apagado	Encendido	Apagado	Apagado	2
Encendido	Encendido	Apagado	Apagado	3
Apagado	Apagado	Encendido	Apagado	4
Encendido	Apagado	Encendido	Apagado	5
Apagado	Encendido	Encendido	Apagado	6
Encendido	Encendido	Encendido	Apagado	7
Apagado	Apagado	Apagado	Encendido	8
Encendido	Apagado	Apagado	Encendido	9
Apagado	Encendido	Apagado	Encendido	10
Encendido	Encendido	Apagado	Encendido	11
Apagado	Apagado	Encendido	Encendido	12
Encendido	Apagado	Encendido	Encendido	13
Apagado	Encendido	Encendido	Encendido	14
Encendido	Encendido	Encendido	Encendido	15

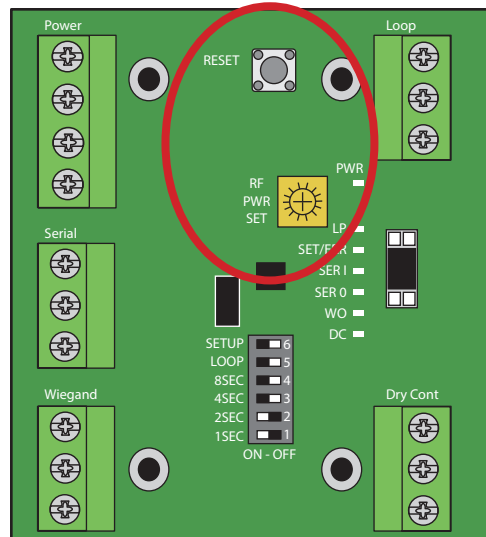
Ajuste del alcance de la antena

El módulo de interfaz Wiegand S2W tiene un ajuste de alcance de la antena ubicado en la placa de circuitos justo a la izquierda de la pantalla LED. Para ajustar el alcance realice los siguientes pasos:

1. Coloque el módulo en modo de programación ubicando el interruptor 6 (Configuración) en "Encendido" (izquierda).
2. Localice el potenciómetro de ajuste y gírelo en la dirección de las agujas del reloj para aumentar el alcance o en la dirección opuesta para disminuir el alcance. La pantalla LED mostrará la configuración de potencia relativa (máxima si todos los LED están encendidos).



3. Para enviar la nueva configuración de alcance al lector, presione el botón de Reinicio justo por encima del ajuste de alcance.
4. Una vez que haya configurado el alcance deseado, coloque el módulo en modo de funcionamiento ubicando el interruptor 6 (Configuración) en "Apagado" (derecha).



Activar/desactivar la señal sonora

De manera predeterminada, el LMSC1000 emitirá una señal sonora cuando lea una etiqueta de RFID. Para alternar esta función (encender o apagar) realice los siguientes pasos:

1. Coloque el módulo en modo de programación ubicando el interruptor 6 (Configuración) en "Encendido" (izquierda).
2. Gire el potenciómetro de ajuste en dirección opuesta a las agujas del reloj hasta la configuración mínima.



3. Presione el botón de reinicio justo por encima del ajuste de alcance para conmutar la configuración.



4. Vuelva a colocar la configuración del alcance de la antena en la posición original.
5. Presione el botón de Reinicio justo por encima del ajuste de alcance para configurar el alcance.
6. Coloque el módulo en modo de funcionamiento ubicando el interruptor 6 en "Apagado" (derecha).

Programar sus etiquetas LiftMaster en myQ® Business™

Al agregar una credencial nueva en myQ® Business™, vaya a la pestaña Credenciales, haga clic en “Agregar credenciales nuevas” y al seleccionar el tipo, elija RFID_Tags_LiftMaster.

Tenga en cuenta que hay una opción para las instalaciones que tienen un sistema de RFID que no es de marca LiftMaster. Si el sistema de RFID no es un lector de RFID LiftMaster (LMSC1000) o una etiqueta de RFID LiftMaster (LMUNTG/SPLMUNTG o LMHNTG/SPLMHNTG), siga los pasos anteriores, excepto cuando aparece el menú desplegable, donde deberá seleccionar RFID_Tags_Other_Mfgs.

Resolución de problemas

Problema		Resolución de problemas	Solución
El lector no lee las etiquetas (El LED del lector está encendido en rojo y no cambia)	Energía	Verifique el voltaje del suministro eléctrico en el extremo más cercano al lector (generalmente en el módulo de interfaz Wiegand) con un multímetro digital (DMM). Debería obtener una lectura >12 VCC.	Si la distancia y el calibre del cableado son correctos y el suministro es <12 VCC, reemplace la alimentación eléctrica con otra que tenga una capacidad de 12 VCC 3 A.
		Mida la distancia del cableado entre el lector (montado) y el lugar donde el suministro eléctrico se enchufa a la fuente de alimentación principal. Esta distancia no debería superar los 15.24 m (50 pies).'	
		Verifique el calibre del cableado para asegurarse de que se encuentra dentro de las especificaciones para este producto (las categorías 5/6 no se deben usar para la alimentación eléctrica).	
		Si todo lo anterior se verifica y el lector se recupera con un ciclo de encendido del lector y el módulo Wiegand, investigue la fuente de energía eléctrica principal (115 VCA). Si la fuente de alimentación eléctrica principal experimenta una caída de tensión (el voltaje cae por debajo de 100 VCA pero no se corta del todo), esto puede bloquear el lector y ocasionar una falla.	Cambie a una fuente de alimentación principal distinta (115 VCA) o instale un sistema UPS para brindar un suministro eléctrico más estable.
	Programación	Retire el conector serie (cables verde, blanco y amarillo del lector) del módulo de interfaz Wiegand y reinicie la alimentación a ambos dispositivos. Si el lector recupera el funcionamiento normal, el problema puede estar en el módulo de interfaz Wiegand.	La interfaz Wiegand tiene una función de bucle de armado que pondrá el lector de RFID en modo de espera cuando la entrada del bucle no esté activa. Verifique la configuración del bucle de armado del módulo de interfaz Wiegand en el interruptor dip S1-5 y asegúrese de que este interruptor esté en posición de apagado. Si está apagado y el problema persiste, reemplace el módulo de interfaz Wiegand.
	Final	Si el lector no se recupera después de un ciclo de encendido y la resolución de problemas no revela el problema, es posible que el lector tenga una falla interna.	Comuníquese con su socio de canal y solicite un RMA para enviar el lector a reparar o pedir un reemplazo.
El lector lee las etiquetas de RFID pero no a un alcance adecuado. (El alcance de lectura promedio debería ser de 6 a 7.6 m [20 a 25 pies])'	Energía	Verifique el voltaje del suministro eléctrico en el extremo más cercano al lector (generalmente en el módulo de interfaz Wiegand) con un multímetro digital (DMM). Debería obtener una lectura >12 VCC.	Existe una correlación directa entre la calidad de la energía suministrada al lector y el alcance del lector. Asegúrese de que la distancia de cableado sea mínima (sin enrollar el cable), el calibre sea correcto y el suministro >12 VCC. Si se han realizado todas las comprobaciones pase a la siguiente sección bajo el nombre de Programación.
		Mida la distancia del cableado entre el lector (montado) y el lugar donde el suministro eléctrico se enchufa a la fuente de alimentación principal. Esta distancia no debería superar los 15.24 m (50 pies).'	
		Verifique el calibre del cableado para asegurarse de que se encuentra dentro de las especificaciones para este producto (las categorías 5/6 no se deben usar para la alimentación eléctrica).	
Etiquetas de RFID	Usted no experimentará un alcance de funcionamiento normal si prueba a mano las etiquetas de montaje en el parabrisas o faro. Las etiquetas deben colocarse en la superficie de montaje prevista para alcanzar un alcance de funcionamiento normal.	Monte la etiqueta temporalmente en la superficie prevista usando cinta adhesiva y vuelva a probar.	
	Inspeccione el montaje de las etiquetas de RFID y asegúrese de que estén montadas correctamente y lejos de cualquier fuente de interferencia.	Consulte el manual de instalación de las etiquetas de RFID y asegúrese de que las etiquetas estén montadas correctamente.	
Interferencia externa	Los lectores de RFID son susceptibles a las interferencias de otros dispositivos electrónicos y las condiciones ambientales.		
	Asegúrese de que el lector tenga libre la línea de visión a la etiqueta de RFID en el vehículo que está en la calzada. La línea de visión no puede estar obstruida de ninguna manera por el follaje (plantas, arbustos y árboles) o por metales (postes, letreros, brazos de portón).	Retire cualquier obstrucción que esté enfrente de la zona de lectura del lector.	
	Revise el área alrededor de la instalación en busca de otros dispositivos electrónicos que puedan emitir sonidos e interferencias como líneas eléctricas de alta tensión, luces fluorescentes, radiotransmisores o antenas UHF de alta potencia (e incluso otros sistemas de RFID).	Averigüe si alguna de estas fuentes se puede deshabilitar temporalmente para permitir la prueba del lector de RFID. Si el alcance del lector de RFID aumenta cuando el dispositivo está deshabilitado, ha localizado la fuente de interferencia. Es posible que necesite reubicar la fuente de interferencia o el lector de RFID.	
Programación	Este lector ofrece un ajuste de alcance en el módulo de interfaz Wiegand. Este valor por defecto configura el alcance del lector al máximo, pero pudo haber sido cambiado.	Confirme la configuración del alcance de lectura siguiendo los pasos en el manual de instalación.	

Resolución de problemas (continuación)

Problema	Sistema	Resolución de problemas	Solución
El controlador de acceso no recibió datos Wiegand.	Sistema	Verifique que el lector de RFID reconoce la etiqueta emitiendo una señal sonora o haciendo parpadear un LED azul.	Si no escucha una señal sonora ni ve parpadear un LED azul, el lector no está reconociendo la etiqueta de RFID.
		Si el LED azul del lector parpadea, verifique que el lector está enviando datos en serie desde el lector hasta el módulo de interfaz Wiegand (WIM). Cuando el LED del lector parpadea azul debería haber un LED rojo correspondiente que parpadee en la interfaz Wiegand.	Si el LED rojo no parpadea cuando se lee una etiqueta, entonces hay un problema con la alimentación de datos en serie entre el lector y el WIM. Vuelva a revisar el cableado entre los dos dispositivos para asegurarse de que todas las conexiones sean correctas. Puede confirmar la salida de datos conectando una computadora con conexión en serie y un programa telnet (como Putty). La configuración para la conexión debe ser 9600, 8, N, 1. Usted debería ver los datos de la etiqueta en bruto si se conecta al lector usando la siguiente conexión (Verde - RXD, blanco - TXD, Amarillo - Com). Si no hay datos en serie provenientes del lector, el lector tiene una falla y debe ser reparado. Si hay datos en serie provenientes del lector, el problema está en el WIM y debe ser reparado.
		Si el LED azul del lector parpadea y el LED rojo del WIM parpadea, asegúrese de que el LED anaranjado superior parpadee (el parpadeo inicial debe ser instantáneo, pero los parpadeos de repetición son controlados por el control de retransmisión). El LED anaranjado indica cuándo se envía un pulso Wiegand al controlador de acceso.	Si el LED anaranjado no parpadea, entonces hay un problema con el WIM y debe ser reemplazado.
		Si el LED azul del lector parpadea, el LED rojo del WIM parpadea y el LED anaranjado superior parpadea puede haber un problema de cableado entre el WIM y su controlador de acceso.	Asegúrese de que el cableado sea menor que la distancia máxima de 107 m (350 pies). Con un DMM, mida el voltaje de CC entre Data 1 y COM así como entre Data 0 y COM. Debe leer un voltaje de funcionamiento normal de 4.9-5 VCC como mínimo. Una lectura menor a este voltaje indica una caída de voltaje que posiblemente se debe a la distancia del cable o las conexiones deficientes. Desconecte el conector Wiegand del módulo WIM (con el controlador de acceso aún conectado) y mida el voltaje en el conector. Esto verificará el cableado desde el controlador de acceso hasta el WIM y deberá arrojar una lectura >4.9 VCC. Si mide 0 VCC hay una rotura en el cableado. Desconecte la conexión Wiegand del controlador de acceso (con el WIM aún conectado) y mida el voltaje en el conector. Esto verificará el cableado desde el WIM hasta el controlador de acceso y deberá arrojar una lectura >4.9 VCC. Si mide 0 VCC hay una rotura en el cableado.
Las identificaciones impresas de la etiqueta de RFID no coinciden con lo recibido en el controlador de acceso.	Programación	La interfaz Wiegand envía datos Wiegand de 26 bits. Asegúrese de que el controlador de acceso que está usando está configurado para recibir salidas Wiegand de 26 bits.	Intente intercambiar los cables Data 0 y Data 1 en la interfaz Wiegand o el controlador de acceso y vuelva a probar.
El lector está enviando demasiadas lecturas de etiqueta al controlador de acceso.	Programación	La configuración predeterminada de fábrica es enviar una salida Wiegand por cada lectura de etiqueta que haga el lector de RFID. Esto es ajustable y se puede programar un retraso para minimizar las salidas Wiegand enviadas al controlador.	Cambie la configuración del retraso de retransmisión Wiegand (de 0 a 15 segundos) siguiendo los pasos en el manual de instalación.

Partes de repuesto

Parte	Número de pieza
Ménsula de montaje	Ménsula de RFID K-AUMB
Módulo de interfaz Wiegand	Tablero de interfaz Wiegand K-S2W
Fuente de alimentación RF – 3 Amp.	KSC12-3A

Garantía limitada de un año

LiftMaster garantiza al primer comprador minorista de este producto, que el mismo está libre de defectos de materiales y de mano de obra por un período de un año a partir de la fecha de compra.

ADVERTENCIA: Este dispositivo cumple con la Parte 15 de la reglamentación de la FCC y los estándares RSS exentos de licencia de Industry Canada. La operación está sujeta a las dos condiciones siguientes: (1) este dispositivo no puede causar interferencia perjudicial, y (2) este dispositivo debe aceptar cualquier interferencia recibida, incluyendo la interferencia que puede causar una operación no deseable. Cualquier cambio o modificación no expresamente aprobada por la parte responsable del cumplimiento podría anular la autoridad del usuario para operar el equipo.

Este equipo ha sido verificado y cumple con los límites para un dispositivo digital de Clase B, conforme con la Parte 15 de las normas de la FCC y el estándar ICES de Industry Canada. Estos límites se establecen para brindar un nivel razonable de protección contra interferencias perjudiciales en instalaciones residenciales. Este equipo genera, usa y puede emitir energía de radiofrecuencia. Si no se instala y utiliza de acuerdo con las instrucciones podrá causar

interferencia con comunicaciones radiales. Aun así, no hay garantía de que no se produzcan interferencias en una instalación particular. Si este equipo produce interferencia en la recepción de radio o televisión, lo cual puede determinarse apagando y encendiendo la unidad, el usuario debe tratar de corregir el problema por medio de lo siguiente:

- Volver a orientar o reubicar la antena receptora.
- Aumentar la distancia entre el equipo y el receptor.
- Conectar el equipo en una salida de un circuito distinto del circuito al que está conectado el receptor.
- Consultar con el distribuidor o con un técnico de radio/TV experimentado para pedir ayuda.

© 2018, LiftMaster

All Rights Reserved

Tous droits réservés

Todos los derechos reservados