

**FREE VINCI
LFKQ X1L**

LOCINOX[®]
WWW.LOCINOX.COM



USER GUIDE

- ENGLISH
- NEDERLANDS
- FRANÇAIS
- DEUTSCH
- ENGLISH USA

- As manufacturer of this product, we guarantee that we have taken all the necessary steps in order for this product to comply with the current safety requirements.



Copyright

Copyright © 2014 Locinox. All rights reserved.

This product incorporates copyright protected technology that is protected by a number of EU patent method claims and other intellectual property rights owned by the Locinox Corporation and other rightholders.

Use of this copyright protected technology must be authorized by the Locinox Corporation. Reverse engineering or disassembly is prohibited. No part of this publication can either be reproduced, communicated, transcribed, stored in a retrieval system or be translated into any language in any form or by any means, whether electronic, mechanical, magnetic, optical, chemical, manual or otherwise, unless explicit written consent has been given by the copyright holder.

Notice

The contents of this publication is subject to change. The company reserves the right to alter the contents of this publication at any time and without notice. The contents of this publication may contain inaccuracies or typographical errors and is supplied for informational use only.

Technical Support

If you require any additional information or assistance during the installation, please contact your dealer, who will be able to provide the latest information. Alternatively, you can visit the Locinox website for more technical information or e-mail us on locinox@locinox.com

Index

Manual - English

1. Introduction
2. Package contents
3. Components
4. Specifications
5. Profile preparation
6. Changing the codepanel to the entrance side
7. Code setting
8. Mounting the handles
9. Turn the rollerbolt to match the closing direction
10. Operation
11. Mounting the Vinci

Manual - Nederlands

1. Introductie
2. Inhoud
3. Onderdelen
4. Specificaties
5. Voorbereiding van profielen
6. Codepaneel verplaatsen naar de toegangszijde
7. Instellen van de code
8. Installatie van de hendels
9. Draai de rolltop in de sluitrichting
10. Inhoud
11. Montage van de Free Vinci

Manuel - Français

1. Introduction
2. Contenu de l'emballage
3. Composants
4. Spécifications
5. Préparation du profil
6. Modification du code sur le côté d'entrée
7. Programmation du code
8. Montage des poignées
9. Tourner le pêne à roulette pour correspondre avec le sens d'ouverture de la porte
10. Opération
11. Montage du Free Vinci

Betriebsanleitung - Deutsch

1. Einleitung
2. Inhalt
3. Unterteile
4. Spezifikationen
5. Vorbereitung der Profile
6. Tastatur an der Eingangsseite installieren
7. Code einstellen
8. Montage der Drücker
9. Drehen Sie den Rollriegel der Schliessrichtung entsprechend
10. Operation
11. Montage des Free Vinci Schlosses

Manual - English USA

1. Introduction
2. Package contents
3. Components
4. Specifications
5. Profile preparation
6. Changing the codepanel to the entrance side
7. Code setting
8. Mounting the handles
9. Turn the rollerbolt to match the closing direction
10. Funktion
11. Mounting the Vinci

ENGLISH

NEDERLANDS

FRANÇAIS

DEUTSCH

ENGLISH USA

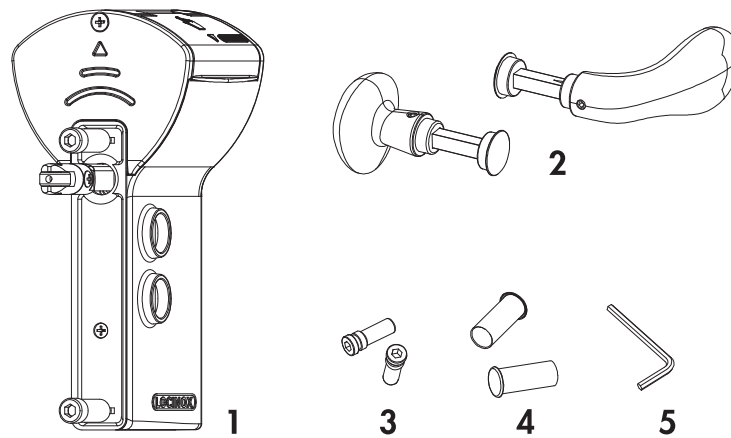
Manual - English USA

1. Introduction

Thank you for choosing a Locinox mechanical code lock with free exit! Please read the following instructions thoroughly before mounting the Free Vinci. Enclosed you will find all relevant user information concerning the Free Vinci.

2. Package contents

Please check if your package contains the following items:

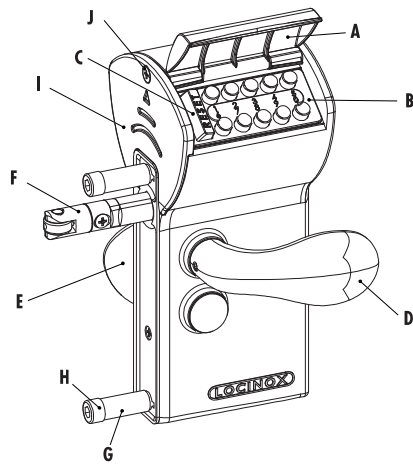


Please contact your supplier should any of the above items be damaged or missing.

1	Mechanical code lock with free exit for swing gates
2	3006C/2 (Aluminium half club) & 3006R/2 (Aluminium half knob)
3	Extra code screws, green (2x)
4	Cover caps (2x)
5	Allen key (3mm) (1x)

3. Components

The drawing below shows the names of the most important components. This drawing can be used as reference throughout the manual.

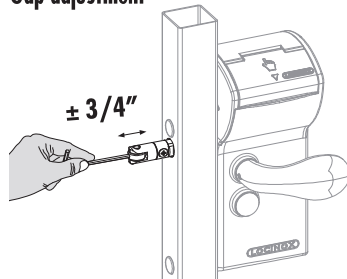


A	Rain and dust cover
B	Code panel
C	Reset button
D	Half handle 3006C/2
E	Half handle 3006R/2
F	Self-latching bolt (D)
G	Spacer tube
H	Hex head socket screw
I	Closing cover
J	Cover screw

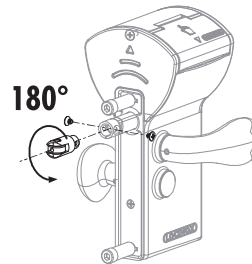
4. Specifications

- The Free Vinci is a 100% mechanical code lock, which does not need a battery nor electricity to function.
- The code lock is equipped with a single-side operational code panel. This enables you to work with an entrance code and a quick free-exit handle.
- At the entrance side, the handle is blocked by means of the code panel. Upon entering the correct code, the handle is released and you can retract the self-latching bolt by means of the handle.
- The code panel is protected by a polyamide cover. This prevents dust and rain from penetrating.
- The quality code lock was designed in a very user-friendly manner. Changing the code setting is very easy. A 4 to 6-digit entrance code can be set by means of the additional code screws.
- The lock is equipped with a security press plate which rules out detection of the secret code by putting pressure on the handle. After the correct code has been entered and the gate has been opened with the handle, the code is automatically reset.

Gap adjustment



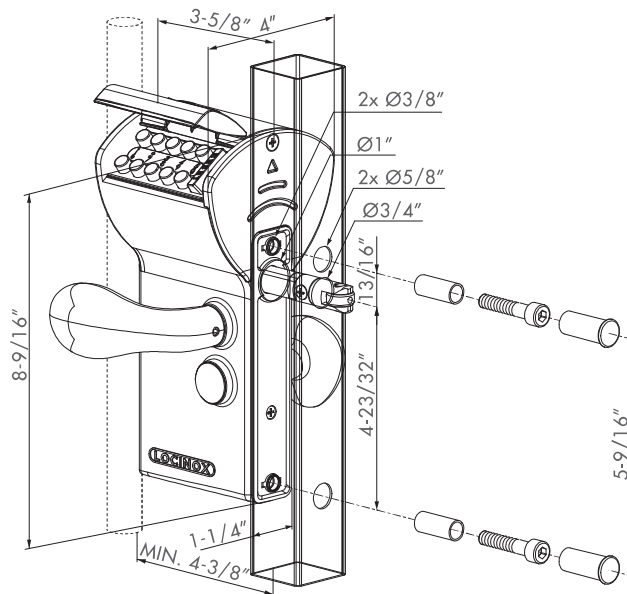
Left/Right hand changing



5. Profile preparation

Determine the correct position of the lock in the gate frame. The mounting holes can be prepared by means of the drawing below.

NOTE! The hole of the self-latching bolt, needs to be larger ($\varnothing 1"$) at the back of the gate frame than at the front ($\varnothing 3/4"$ mm). This allows you to fit the Free Vinci easily into the gate frame when a minimum distance ($4-3/8"$) between the gate frame and the first gate bar is required.

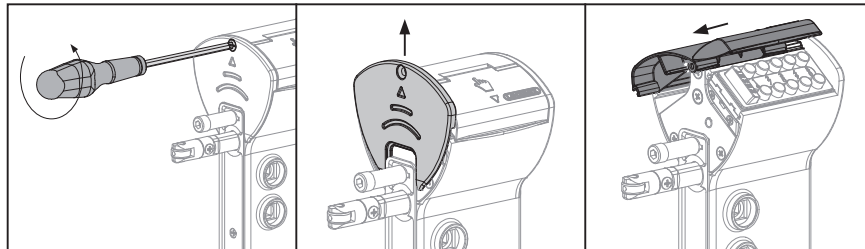


6. Changing the codepanel to the entrance side

Before mounting the Free Vinci to the gate, check if the code entry side is at the correct side of the gate. If not, follow the instructions below to change the codepanel to the entrance side of the gate.

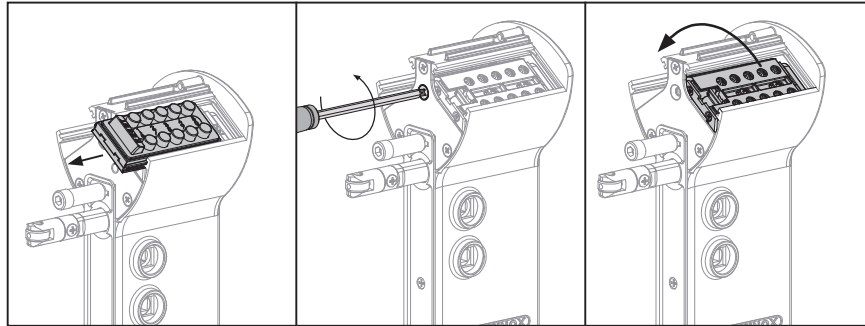
Step 1: Remove the closing cover.

First remove the cover screw and then slide out the closing cover and the dust- & raincover.



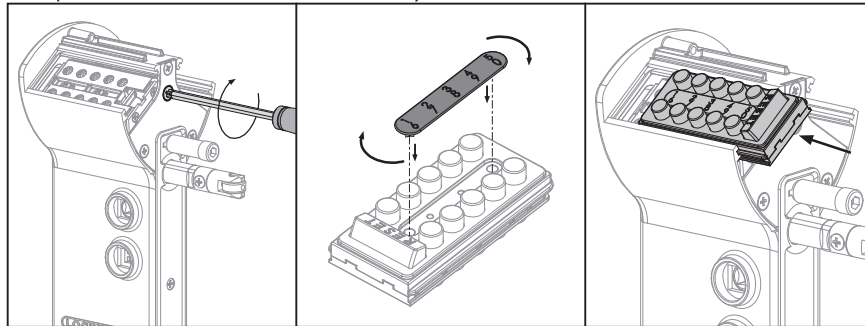
Step 2: Switch the code mechanism to the other side

Slide out the code panel. Loosen the code mechanism screw and flip the code mechanism to the other side.



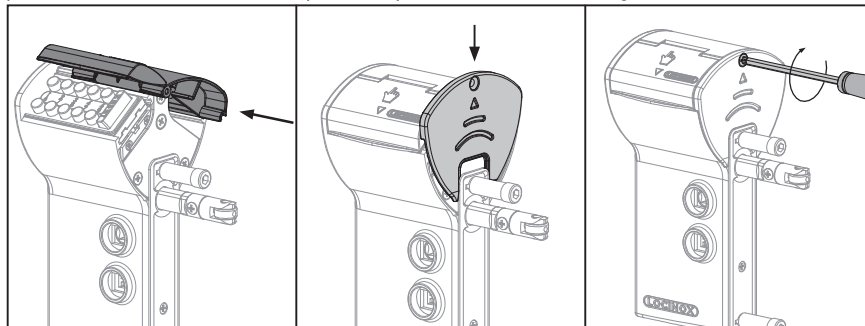
Step 3: Remount the code panel

Tighten the code mechanism screw. Change the personal code following the instructions in Chapter 7, Code setting. With the numeric plate in the correct position, you are ready to replace the code panel. CAUTION! The reset button always needs to be on the latch bolt side of the lock.



Step 4: Reinstall the covers

After inserting the code panel, insert the Dust and Rain Cover so the cover opens over the code panel. Slide the Closing Cover into position and tighten the screw. CAUTION! We recommend you test the lock function (see chapter 10 Operation) before mounting the lock.

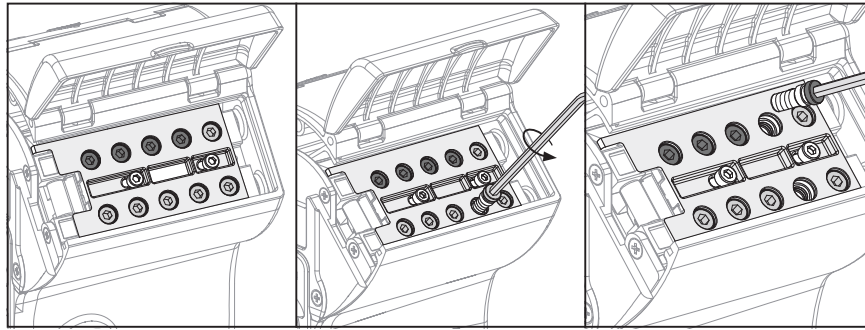


7. Code setting

Because of security reasons, the Free Vinci is developed in such a manner that the code can only be changed when it is not mounted. The default setting of the code is 1-2-3-4. The steps below explain how you can modify your own personal code in a fast and simple manner. The Free Vinci enables the setting of a 4 to 6-digit code.

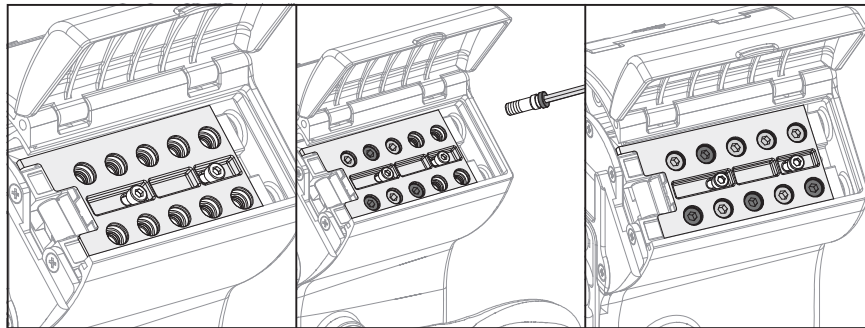
Step 1: Remove the closing cover and code panel.

After removing the code panel, you will find the red (stop) and green (go) code screws. From the factory, the green screws are automatically set in position 1-2-3-4, as shown. Remove all code screws from the code mechanism with the enclosed Allen key.



Step 2: Set your personal code

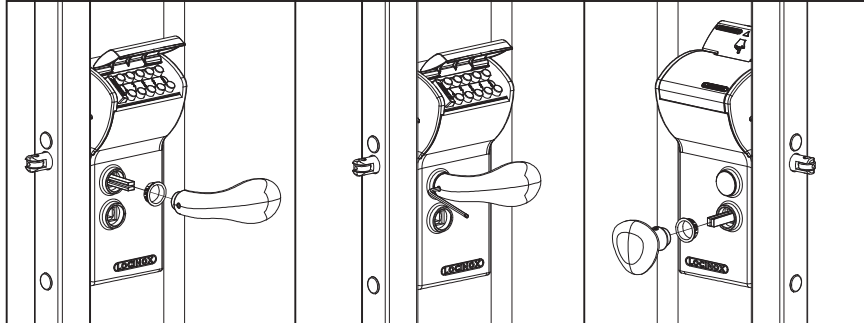
Insert the green code screws in the position you want your personal code to be. Fill the remaining holes with the red screws. All holes must be filled with a screw. Tighten the screws down so they are firmly seated.



8. Mounting the handles

NOTE! The handle at the top position is the code entrance handle on the secure side of the gate. The bottom position is for the free exit handle on the "safe" side of the gate.

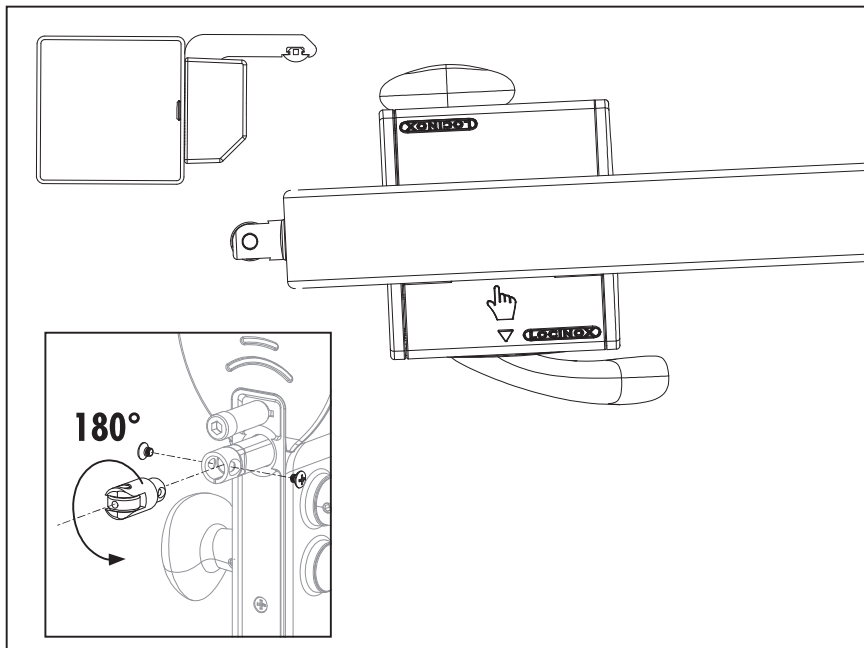
CAUTION! Install the handle shaft so that the handle's set screw tightens into the spreader side of the shaft.



9. Turn the rollerbolt to match the closing direction

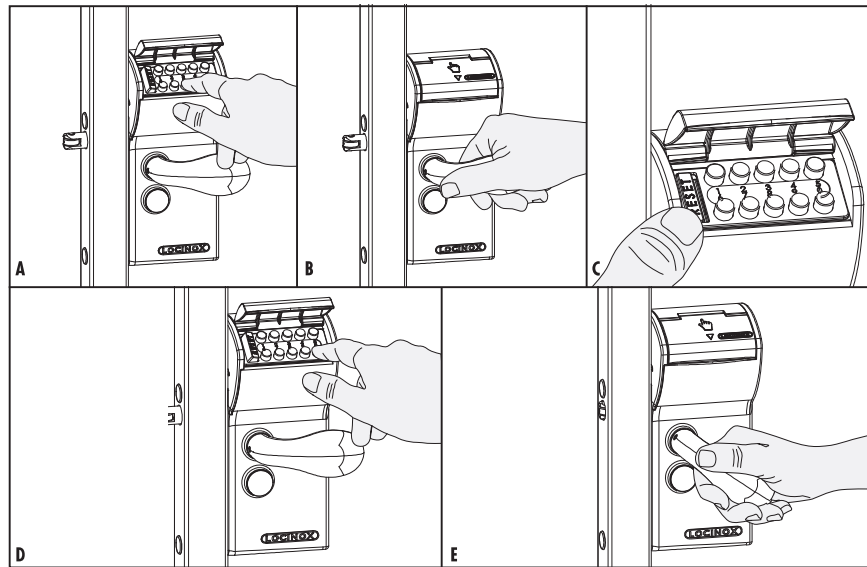
CAUTION! Before mounting the Free Vinci to the gate, check if the rollerbolt is in the correct position. If not, remove the screws and turn the rollerbolt.

NOTE! We recommend threadlocker for the rollerbolt mounting screws. Tighten the screws securely.



10. Operation

Enter a false code in order to test the reset function. *Drawing A* After having entered an incorrect code, the handle remains blocked. *Drawing B* Now press the reset button and enter the correct code. *Drawing C & D*. The handle can be moved after entering the correct code. This will retract the lock's self-latching bolt. *Drawing E*. After using the handle, the code is automatically reset. In doing so, the code needs to be entered each time in order to open the Free Vinci.



11. Mounting the Free Vinci

After testing the operation of your lock, the Free Vinci can be mounted onto the gate. The fast, easy and typical Locinox mounting is explained below. First slide the spacer tubes over the hex head socket screws and mount the lock onto the gate profile by using the hex key. ① & ②. Tighten the hex head socket screws and cover the holes with the enclosed plastic cover caps. ③

