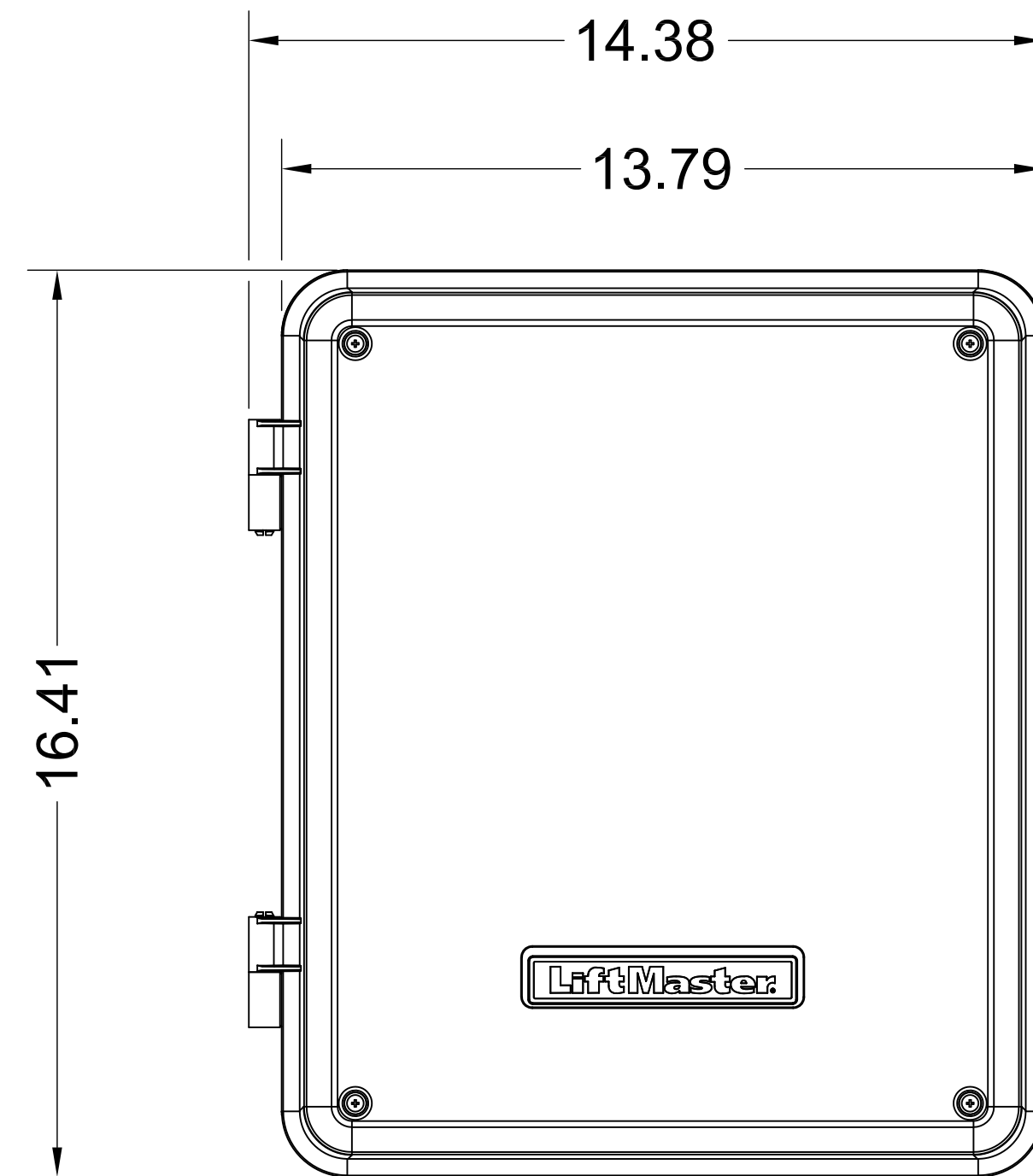
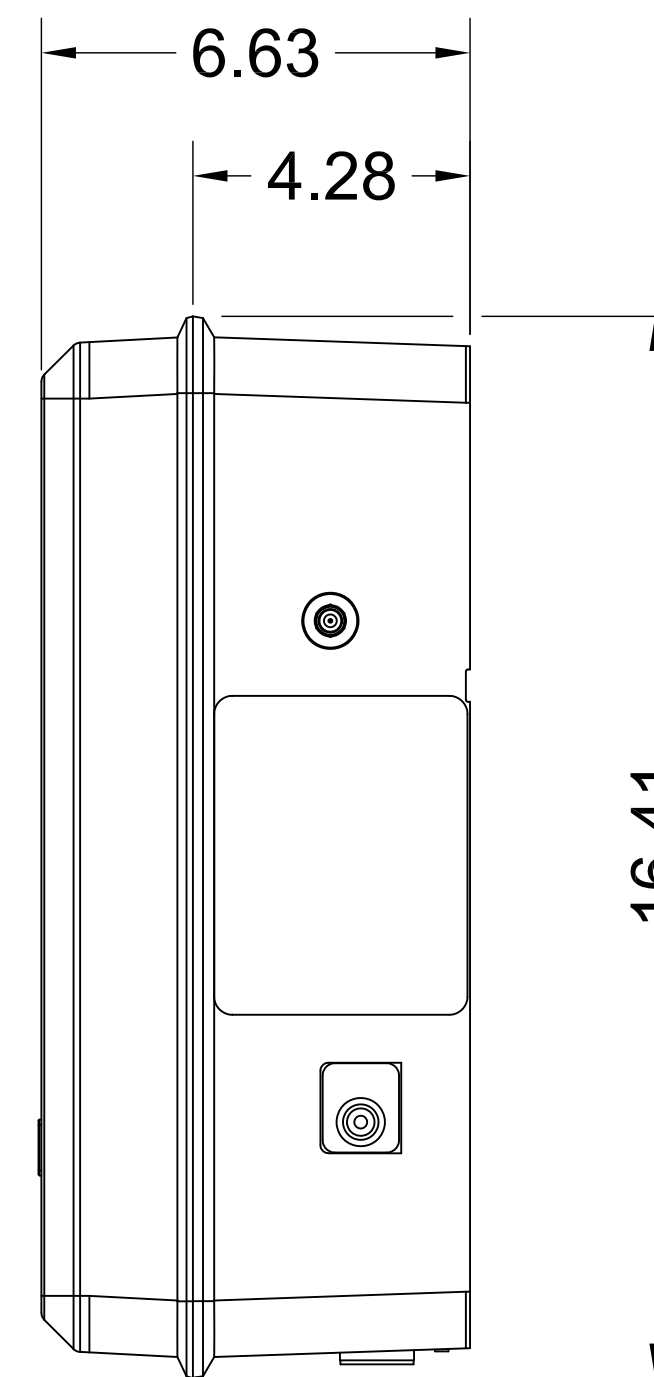


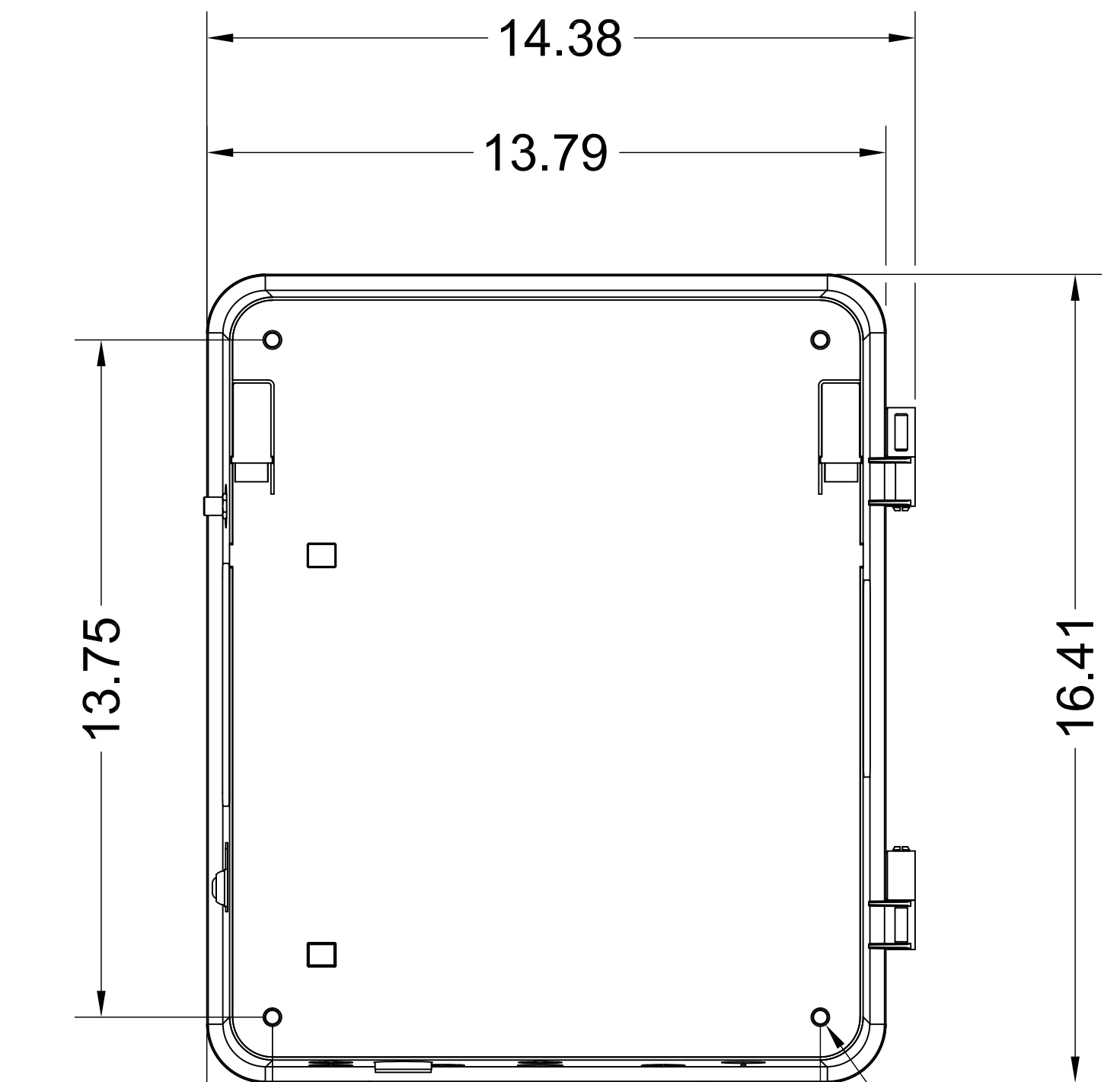
TOP VIEW



FRONT VIEW

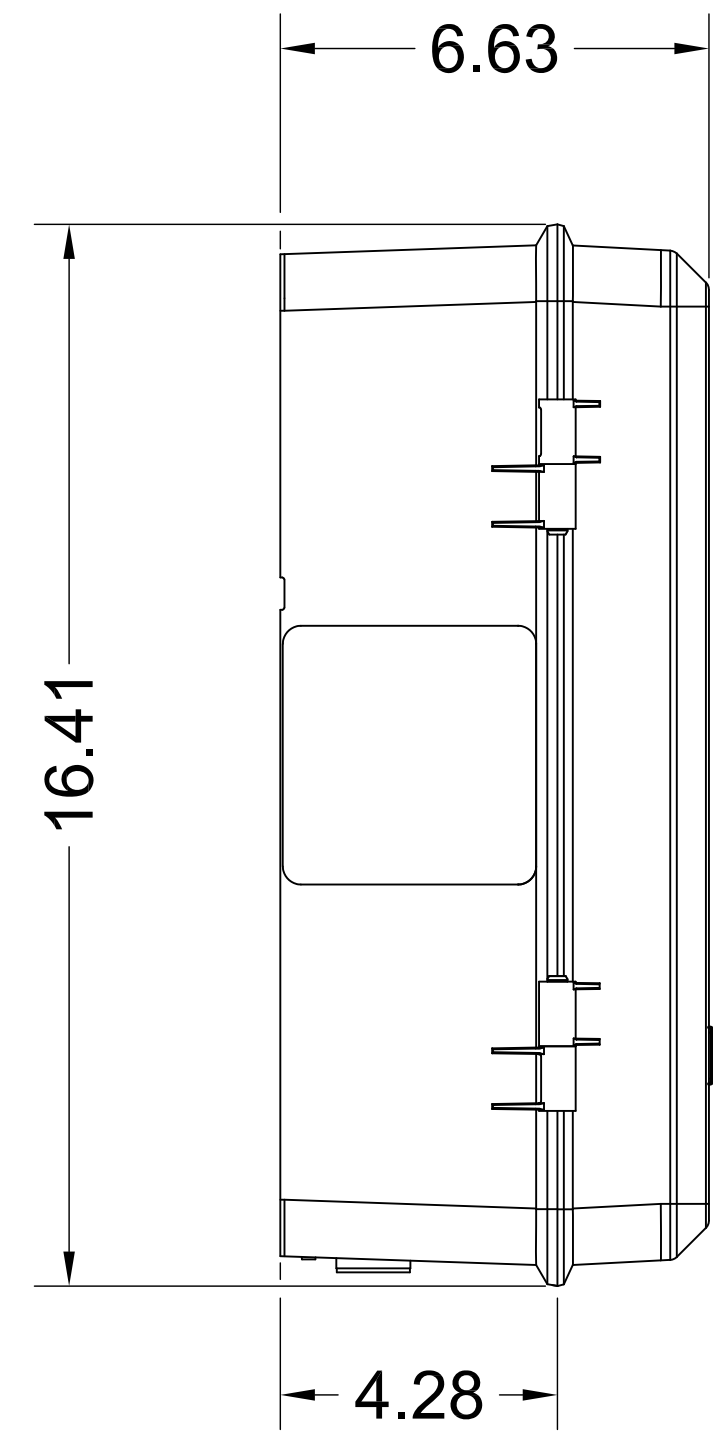


RIGHT VIEW

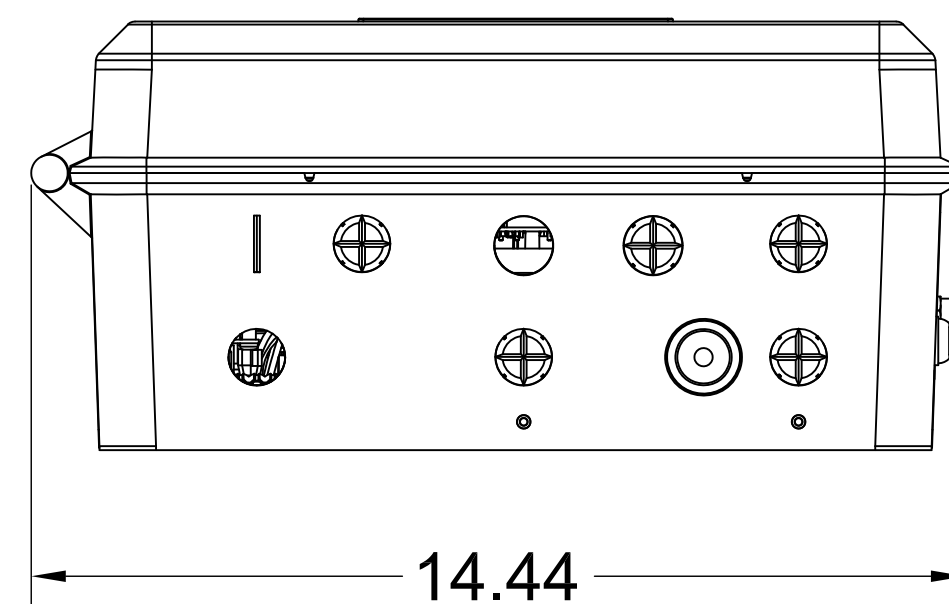


BACK VIEW

MOUNTING HOLES (4 PLCS.)



LEFT VIEW



BOTTOM VIEW

(LA412U) SOLAR RESIDENTIAL
LINEAR ACTUATOR CONTROL BOX

		300 WINDSOR DR. OAK BROOK, IL 60523 PHONE: (630) 418-6516 FAX: (630) 516-7059
DRW. BY: B. MOFFETT DATE: 07/15/2019 TITLE: LA412U SOLAR RESIDENTIAL CONTROL BOX CAD FILE: -	REVISION: SCALE: NTS	SHEET NO: 1/1