



It's Time to Make Gate Safety a Priority<sup>SM</sup>

Monitored Wireless Edge Systems

# LMWEKITU LMWETXU



**Monitored Wireless Edge Kit (LMWEKITU)**



**Monitored Wireless Edge Transmitter (LMWETXU)**

## Ultimate Scalability with Our Monitored Wireless Edge Solution

**Monitored Wireless Edge Kit (LMWEKITU)** provides unmatched ease of installation and reliability in virtually all environmental conditions. **Monitored Wireless Edge Transmitter (LMWETXU)** ensures flexibility to expand protection of your system up to 8 entrapment zones.

### FEATURES:

- Multi-channel Bluetooth<sup>®</sup> transmission eliminates interference and provides up to 130 ft. range
- High-capacity edge receiver accepts up to (4) transmitters, and each transmitter accepts up to (2) wired edges
- Each transmitter features two unique configurable open/close edge inputs
- Integrated diagnostics with our 2016 UL 325 Gate Operators
- Industry-leading low-energy Bluetooth<sup>®</sup> technology is extremely power efficient with two-year battery life

### LIFTMASTER<sup>®</sup> PERIMETER ACCESS SYSTEM

LiftMaster's full line of safety entrapment protection accessories are tested and proven to work together with our gate operators as a complete UL 325 compliant system.



# LiftMaster<sup>®</sup>



# Unrivaled Performance, Safety and Accessibility

LiftMaster's Monitored Resistive Wireless Edge Kit and Monitored Resistive Edges work together as a UL 325 compliant system, providing superior features and expandability, ensuring all your gate applications' entrapment zones are safe and protected.

**High-capacity edge system** that can handle (2) wired monitored edges per transmitter, (4) transmitters per receiver

**Each transmitter features (2) unique configurable open/close monitored edge inputs**

**Non-polarized edge inputs** for ease of installation

**Fast and easy to pair transmitter and receiver** via smart button

**Integrated low-battery indicator** on gate operator beeps with each activation when battery is low

**Status LED** indicates device learned or edge activated

**Multi-channel monitored communication** between transmitter/receiver ensures maximum safety entrapment protection and reliability

**Rated NEMA 4X** to withstand tough outdoor environments



## Factory Assembled Monitored Resistive Edges Wrap Around Style for Slide Gates

Ideal for residential and commercial slide gate applications to protect entrapment zones. Easily secures to gate posts for long-lasting stability and reliability.

### Wrap Around Profile – ROUND

Dimensions: 3.8" W x 2.8" H  
for 1.6 – 2.3 in. round posts

**Wrap Around Round Edge 4 ft. (WR4)**  
**Wrap Around Round Edge 5 ft. (WR5)**  
**Wrap Around Round Edge 6 ft. (WR6)**

### Wrap Around Profile – SQUARE

Dimensions: 3.8" W x 2.6" H  
for 2 in. square posts

**Wrap Around Square Edge 4 ft. (WS4)**  
**Wrap Around Square Edge 5 ft. (WS5)**  
**Wrap Around Square Edge 6 ft. (WS6)**

Square  
Profile

Round  
Profile



Large Profile

Small Profile

## Factory Assembled Monitored Resistive Standard Edges in Aluminum Channel

Ideal for commercial and residential applications to protect entrapment zones. Pre-assembled means an easier installation, saving you time and money.

### Large Profile Edge

Dimensions: 1.8" H x 1" W

**Large Profile Edge 4 ft. (L504AL)**  
**Large Profile Edge 5 ft. (L505AL)**  
**Large Profile Edge 6 ft. (L506AL)**

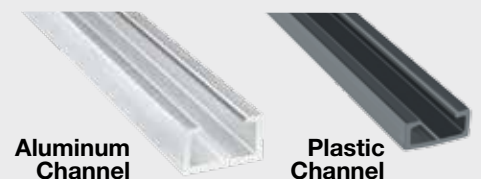
### Small Profile Edge

Dimensions 1.2" H x 1" W

**Small Profile Edge 4 ft. (S504AL)**  
**Small Profile Edge 5 ft. (S505AL)**  
**Small Profile Edge 6 ft. (S506AL)**

## Customize Your Own LiftMaster® Monitored Resistive Standard Edge

Ideal when you need to cut to length while on the job, no lead time. Assemble edge within minutes with easy plug-in system, no glue is required.



Aluminum  
Channel

Plastic  
Channel

1. Choose the profile that fits  
your application needs.

**Large Profile Edge 82 ft. Roll (L50)**  
**Small Profile Edge 82 ft. Roll (S50)**

2. Pick the end caps.

### End Caps for L50 (L50E)

- Universal two-wire configuration
- Shipping weight: 1.3 lbs.
- Pack of 10 pairs

### End Caps for S50 (S50E)

- Universal two-wire configuration
- Shipping weight: 1.2 lbs.
- Pack of 10 pairs

3. Select the mounting channel.

(Fits Large and Small Profile Edges)

### Aluminum Channel 10 ft. (L50CHAL)

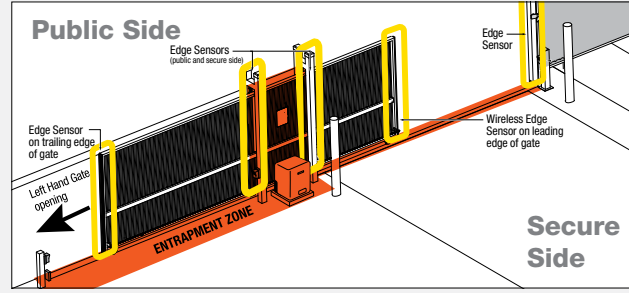
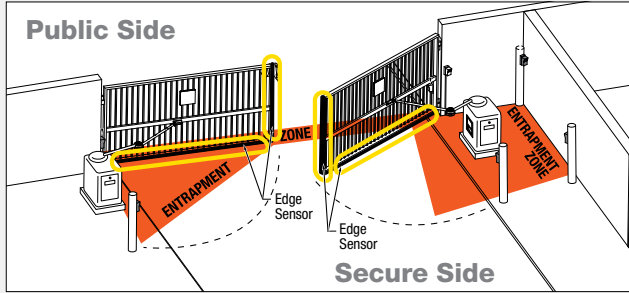
- 0.55" H x 1" W
- Shipping weight: 18 lbs.
- Pack of 8

### Plastic Channel 8 ft. (L50CHP)

- 0.55" H x 1" W
- Shipping weight: 9 lbs.
- Pack of 10

# LMWEKITU LMWETXU

## COMMON ENTRAPMENT ZONES



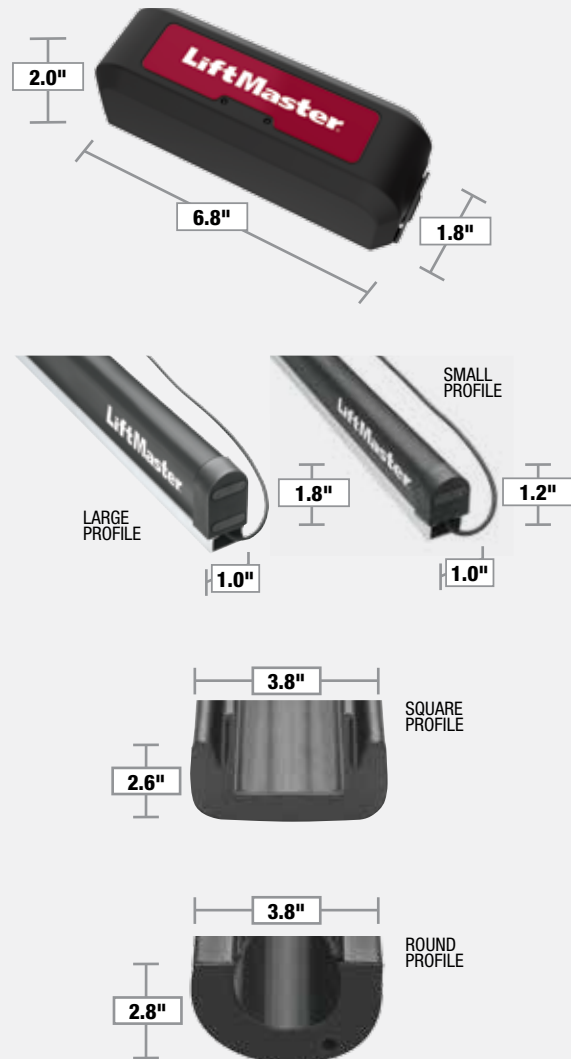
- Possible Entrapment Zones
- Edge Sensor: Monitored Wireless Edge Kit and Monitored Profile Edge

Swing Gate Site

Slide Gate Site



FEATURE	MONITORED WIRELESS EDGE KIT (LMWEKITU)	MONITORED WIRELESS EDGE TRANSMITTER (LMWETXU)
<b>Long-Range Sensing Distance:</b>	130 ft. (39.6m)	
<b>Outdoor Rating:</b>	NEMA 4X	
<b>Diagnostics:</b>	Integrated with our 2016 UL 325 Gate Operators	
<b>Temperature Range:</b>	-40°F to 149°F (-40°C to 65°C)	
<b>Product Dimensions:</b>	6.8" H x 2" W x 1.8" D	
<b>Voltage:</b>	6.8VDC	N/A
<b>Current Draw:</b>	Receiver: 5.8mA for a 24V system, 12.0mA for a 12V system	N/A
<b>Wiring:</b>	Receiver: Connects directly to main or expansion board (harness included), does not require separate power.	Connect resistive edges to open/close edge inputs on transmitter. Polarity not important when wiring in edges.
<b>Inputs:</b>	Receiver accepts up to (4) transmitters. 1 receiver per gate operator.	(2) unique configurable open/close edge inputs
<b>Solar:</b>	Compatible, 12mA power draw	
<b>Low-Battery Indication:</b>	Gate operator beeps twice when transmitter battery is low	
<b>Battery Life:</b>	Two Year Life, (AA) Lithium Battery	
<b>Shipping Weight:</b>	3.3 lbs.	0.9 lb.
<b>Compatibility:</b>	All LiftMaster® Gate Operators with burgundy boards and LiftMaster Monitored Resistive Edges ONLY	
<b>LED Indication:</b>	Transmitter: Red – flashes if edge is contacted or obstructed Receiver: Blue – powered, Red – flashes if edge is contacted or obstructed, and solid during learn process when transmitter is learned in	Transmitter: Red – flashes if edge is contacted or obstructed
<b>Carton Contents:</b>	(1) Transmitter, (1) Receiver, (2) AA Lithium Batteries, (1) Interface Board, Mounting Bracket Hardware	(1) Transmitter, (2) AA Lithium Batteries, Mounting Bracket Hardware
<b>Warranty:</b>	Two Years	



Only LiftMaster Monitored Photo Eyes or Edge Sensors may be used with LiftMaster Operators to meet the 2016 UL 325 Standards.