



Instruction Manual

The KPX-100 is a dual relay output, programmable keypad. It features a durable metal housing and metal backlit keys designed for high traffic areas and harsh environments. Connect this keypad to door strike controls, security systems or automatic gate and door operators. The KPX-100 easily mounts on gooseneck stands, posts or walls.

Specifications

Power	12-24 VDC/AC
Standby Current	16 mA
Detection Current	78 mA
Environmental Rating	IP66
Operating Temperature	-4° to 158°F (-20° to 70°C) 5 to 95% relative humidity
Housing Material	Powder coated steel with stainless steel faceplate
Dimensions (L x W x H)	6.14" (156 mm) x 4.1" (103 mm) x 2.76" (50 mm)

Indicators

Status	Tones	Left LED	Orange LED	Right LED
Programming Mode	---	---	Flashes	---
Successful Key Entry Relay 1	Determined by code 81	---	1 flash	Solid green LED
Successful Key Entry Relay 2	Determined by code 81	Solid red LED	1 flash	---
Unsuccessful Key Entry	5 beeps	---	3 flashes	---
Successful Code Entry	2 beeps	---	2 flashes	---
Unsuccessful Code Entry	5 beeps	---	5 flashes	---
DAP Jumper Not Replaced	Continuous beeps	---	Flashes continuously	---
Standby Mode	---	---	1 flash every 2 seconds	---
Lock-Up Mode	5 beeps	On	1 flash every 2 seconds	Solid red LED

Wiring Connections

1. **Power (+):** 12-24 VDC/AC
2. **Power (-):** 12-24 VDC/AC
3. **Output 1:** N.C. (normally closed contact)
4. **Output 1:** COM (common contact)
5. **Output 1:** N.O. (normally open contact)
6. **Output 2:** N.C. (normally closed contact)
7. **Output 2:** COM (common contact)
8. **Output 2:** N.O. (normally open contact)
9. **Egress Input:**
N.O. (normally open) input terminal.
More than one button can be connected in parallel.
Leave this terminal open if not in use.

10. Keypad Active Output:

This is an NPN transistor open collector output with a maximum rating of 100mA sink and 24V DC. It switches to ground for 10 seconds after each key stroke. It is often used to turn on lights, CCTV cameras or buzzers.

11. Duress Output:

This is an NPN transistor open collector output with a maximum rating of 100mA sink and 24V DC. It switches to ground after a duress key has been entered. It is often used to trigger an alarm, an auto dialer, or a buzzer.



12. Common Ground

13. Door Position Sensor Input:

N.C. (normally close) input terminal. See door sensor wiring diagram to the right.

Always connect terminal 13 to ground if not in use.

14. Output 1 Inhibit:

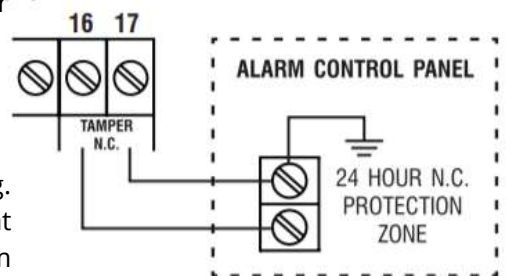
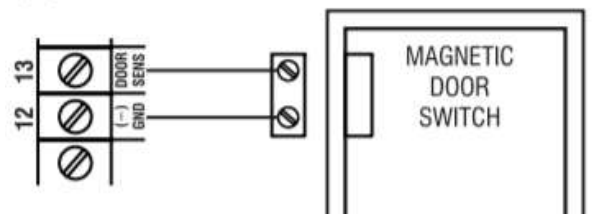
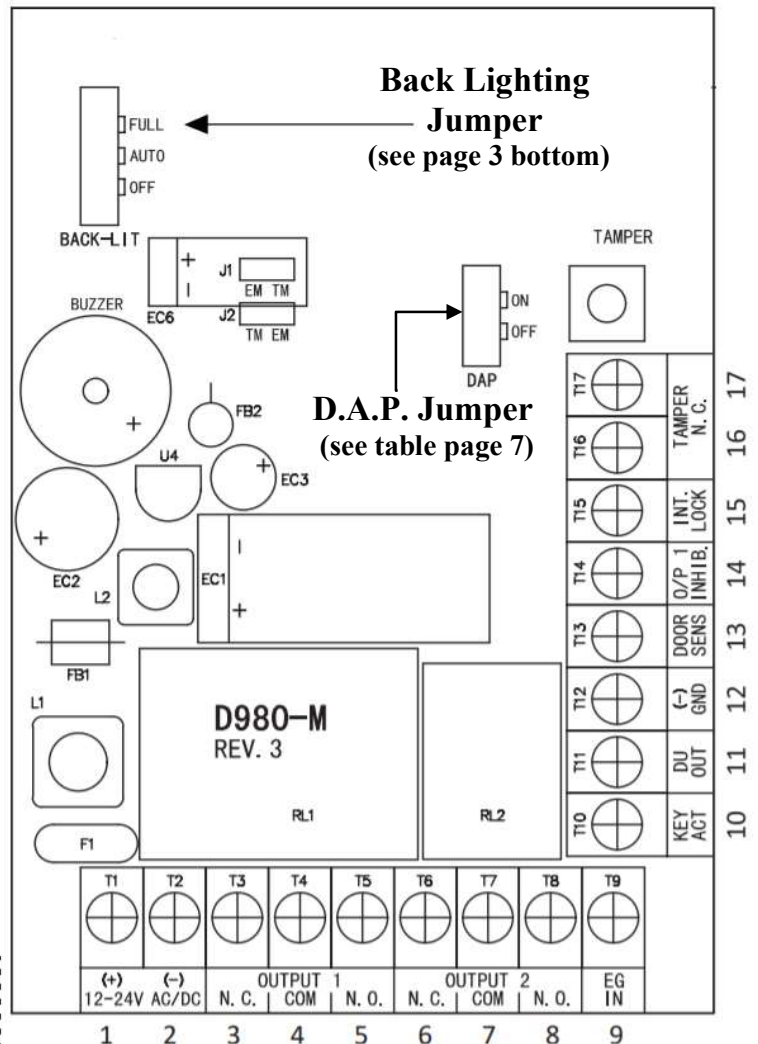
N.O. (normally open) input terminal. Both relay 1 user keys and egress button cannot activate output 1 while this terminal is tied to ground. It is used in cross wire connections for inter-lock applications.

15. Inter-Lock Control Output:

This is an NPN transistor open collector output. It switches to ground for the first 5 seconds after a valid user key is entered or after the egress button is pressed. Use this output to control other keypads in inter-lock applications.

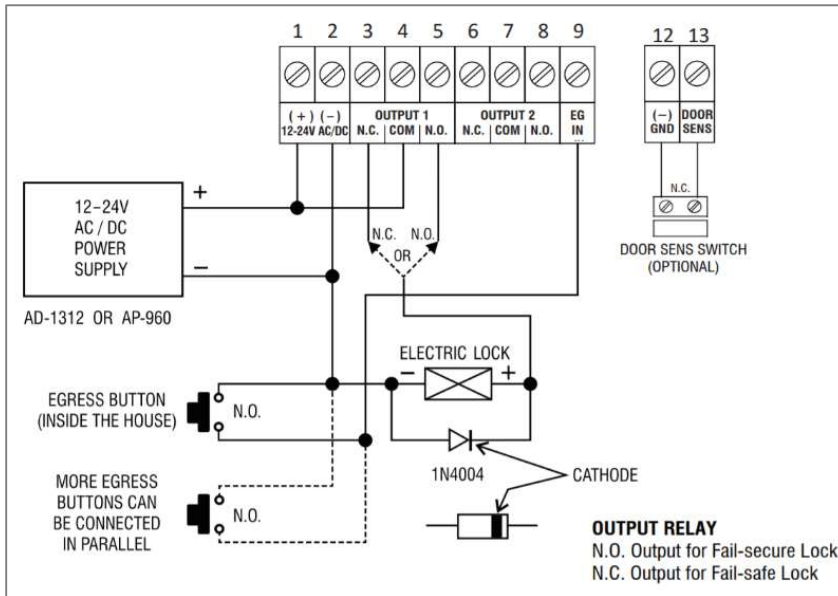
16. & 17. Tamper N.C.:

N.C. (normally closed) contact while the keypad is secured in the housing. It opens when the keypad is separated from the housing. To prevent tampering connect this N.C. terminal to an alarm. See wiring diagram to the right.



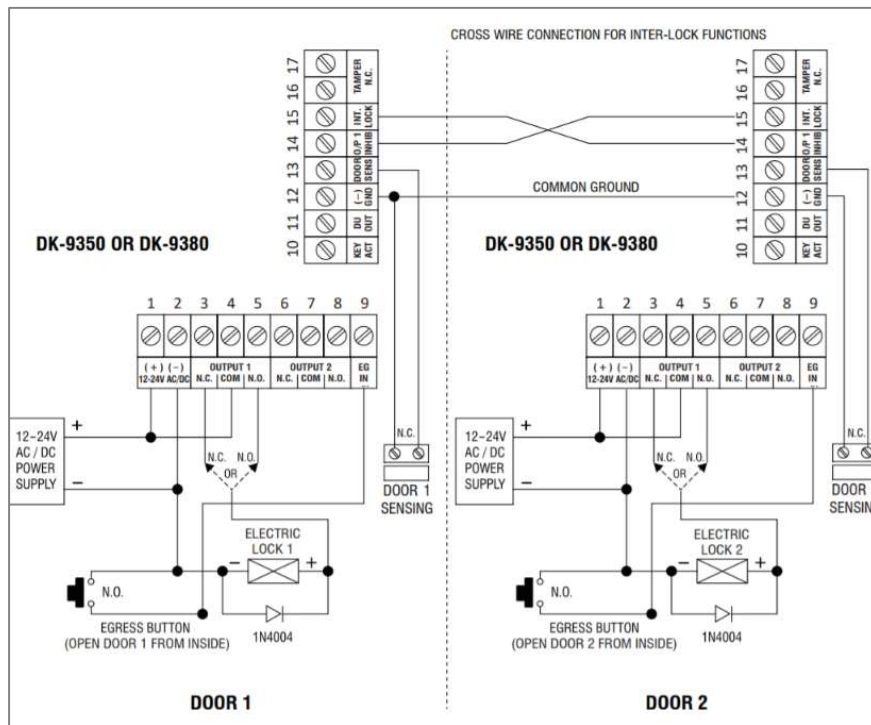
Wiring Diagrams

Single Door Wiring



- Connect the 1N4004 diode in parallel with the lock terminals to absorb the back EMF and prevent damage to the keypad. This is not required if the lock is AC powered.
- Connect common ground terminal (12) to earth ground.
- Connect door position sensor terminal (13) to ground if not in use.

Inter-Lock Wiring



- This inter-lock system uses two KPX-100 with cross wire connections on the output 1 inhibit (14) and inter-lock control output (15) terminals.
- Connect the common ground terminals (12) of the two keypads.
- Use N.O. relay output for fail secure locking and N.C. output for fail safe locking.
- An inter-lock system prevents both doors from being open at the same time for a more secure entry.

Keypad Back Lighting (jumper selected)

1. Backlit - The keypad is dimly lit standby. It turns to full back lighting with any keystroke.
2. Auto Backlit - The keypad is not lit standby. It turns to full back lighting with any keystroke. It turns off 10 seconds after the last key stroke.
3. No Backlit - The keypad is never lit.

Installation

1. Connect power to terminals 1 and 2, 12-24 VDC/AC. The terminals are polarized.

2. Connect the operator OPEN contacts to output 1 N.O. (5) and COM (4).

3. Enter programming mode by pressing...
The orange LED will turn on.

0	0	0	0	*
---	---	---	---	---

TIP:

- 0000 is the factory set programming key. At any time, you can enter the programming key followed by * to enter programming mode.
- You must enter programming mode to enter any codes or add any user keys.

Multi-User (Factory default)

Single-User

4. To enter Multi-user mode press...

8	9	0	1	#
---	---	---	---	---

Record user locations and codes for easier editing in the future!

4. To enter single user mode press...

8	9	0	0	#
---	---	---	---	---

5. To change the programming key, press 0 and then 4-8 digits of your choice followed by #.

0	?	?	?	?	?	?	?	?	#
---	---	---	---	---	---	---	---	---	---

5. To change the programming key, press 0 and then 4 digits of your choice followed by #.

0	?	?	?	?	#
---	---	---	---	---	---

6. To create user keys for relay 1 and 2, press the relay number, the user number and then 4-8 digits of your choice followed by #. Relay 1 can have 100 user keys, relay 2 can have 10 user keys.

	Relay	User #	User Key	Confirm
Output 1	1	00-99	4-8 Digits	#
Output 2	2	0-9	4-8 Digits	#

6. To create the user keys for relay 1 and 2, press the relay number followed by 4 digits of your choice. User keys are 4 digits in length.

Relay 1

1	?	?	?	?	#
---	---	---	---	---	---

Relay 2

2	?	?	?	?	#
---	---	---	---	---	---

TIP:

User keys must be the same length as the programming key if planning on using auto entry mode.

7. The output length and toggle mode can be adjusted using the codes shown in the tables.

Relay Output 1				Relay Output 2			
4	0	1-999	#	5	0	1-999	#
4	1	Toggle Mode		5	1	Toggle Mode	

Code 4 0 / 5 0 will change the output length – the time the door will remain unlocked.

Code 4 1 / 5 1 will change the output to toggle mode – the door will remain unlocked until a code is re-entered.

8. To exit programming mode press...

*

Programming Options

Enter/Exit Programming Mode

Programming Key *

Enters programming mode. Orange LED should turn on.

You must enter programming mode to enter any code.

*

Exits programming mode.

Super User Keys

4 5 4-8 digits #

Owner's multi-task user key. Can be used to escape from locking mode.

Duress Keys

4 6 0-9 4-8 digits #

Duress keys activate output 1 and duress outputs simultaneously to report a user is under duress.

10 duress keys may be used at once.

Visitor Keys

User ID Operation Time

10 visitor keys may be used at once.

Operation Time:

00 = one-time use only

01-99 = valid for xx hours

4 7 0-9 00-99 4-8 digits #

Single User Mode/Reset

Only use to change modes will erase user codes and programming code. Must add programming code back after change

8 9 0 0 #

Sets the mode and clears all previously stored data and modes. Single user mode assigns one user key per relay.

Multi-User Mode/Reset

Only use to change modes will erase user codes and programming code. Must add programming code back after change

8 9 0 1 #

Sets the mode and clears all previously stored data and modes. Multi-user mode assigns up to 100 user keys for relay 1 and up to 10 user keys for relay 2.

Relay Output Mode Configuration

Output 1 40

1-999 #

Momentary Mode:

Keeps OUTPUT 1 triggered for 1-999 seconds upon user key entry.

Output 1 41

#

Start/Stop Mode: Keeps OUTPUT 1 triggered until re-entry of user key.

Output 2 50

1-999 #

Momentary Mode:

Keeps OUTPUT 2 triggered for 1-999 seconds upon user key entry.

Output 2 51

#

Start/Stop Mode: Keeps OUTPUT 2 triggered until re-entry of user key.

Note: Output 2 may be used as a supervisor mode to disable Output 1 if wired in series.

False Key Lock-Up & Reporting

7 0 1 #

After 10 successive false keys, keypad locks for 30 seconds. (default)

7 0 2 #

After 10 successive false keys, duress output activates.

7 0 5-10 #

Keypad locks for 15 minutes after specified number (5-10) of false keys. Locking is released with user super key followed by #9.

8 5 3 #

Clears all lock-up and reporting codes.

Door Forced Open Alarm

8 0 0 #

Nothing occurs when the door is forced open. (default)

8 0 1 #

Alarm sounds for 60 seconds when the door is forced open. Output through terminal 13.

Correct Key Entry Tones

8 1 0 #

Keypad does not beep upon correct key entry.

8 1 1 #

Keypad beeps twice upon correct key entry.

8 1 2 #

Keypad beeps once upon correct key entry. (default)

User Key Entry Mode

8 2 0 #

Requires # after user key is entered. (default)

8 2 1 #

Keypad does not require # after user key is entered. **All user keys must match Programming key length.**

Keystroke Tones

8 3 0 #

Keystrokes are silenced.

8 3 1 #

Keypad beeps on every keystroke. (default)

Orange LED Standby

8 4 0 #

Orange LED is OFF during system standby.

8 4 1 #

Orange LED flashes during system standby. (default)

Door Propped Open Alarm

9 0 #

No alarm for a propped open door.

9 1-999 #

Alarm sounds for a propped open door after the specified time (1-999 seconds).

Egress (Exit) Delay & Warning

8	5	0	#
---	---	---	---

After pressing the egress button, output 1 activates with no delay or warning.

8	5	1	#
---	---	---	---

After pressing the egress button, the keypad will beep for 5 seconds before output 1 activates.

8	5	2	#
---	---	---	---

After pressing the egress button, the keypad will beep for 10 seconds before output 1 activates.

8	5	3	#
---	---	---	---

Press and hold the egress button for 5 seconds, the keypad will beep before output 1 activates.

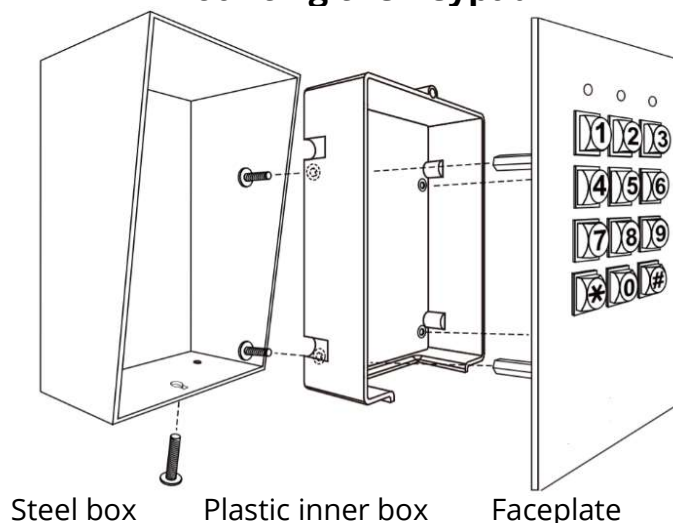
8	5	4	#
---	---	---	---

Press and hold the egress button for 10 seconds, the keypad will beep before output 1 activates.

Troubleshooting

Symptom	Possible Cause	Solution
Forgotten programming key	Forgotten programming key	<ol style="list-style-type: none"> 1. Disconnect the power supply. 2. Move the DAP jumper from OFF to ON. 3. Reconnect the power supply. The keypad will start beeping. 4. Move the DAP jumper back to the OFF position. The keypad will stop beeping. 5. The keypad is now in programming mode and the programming key is now 0000. <p>(This does not affect stored data, only the programming key is forgotten.)</p>

Mounting the Keypad



User Codes and Location Record

Loc	Code
00	
01	
02	
03	
04	
05	
06	
07	
08	
09	
10	
11	
12	
13	
14	
15	
16	
17	
18	
19	
20	
21	
22	
23	
24	
25	
26	
27	
28	
29	
30	
31	
32	
33	
34	
35	
36	
37	
38	
39	
40	
41	
42	
43	
44	
45	
46	
47	
48	
49	

Loc	Code
50	
51	
52	
53	
54	
55	
56	
57	
58	
59	
60	
61	
62	
63	
64	
65	
66	
67	
68	
69	
70	
71	
72	
73	
74	
75	
76	
77	
89	
79	
80	
81	
82	
83	
84	
85	
86	
87	
88	
89	
90	
91	
92	
93	
94	
95	
96	
97	
98	
99	

Warranty

EMX Industries, Inc. products have a warranty against defects in materials and workmanship for a period of two years from date of sale to our customer.