

# Polarized Retro-Reflective Photo-beam Sensor

P/N: KIRPOLAPHOTO01

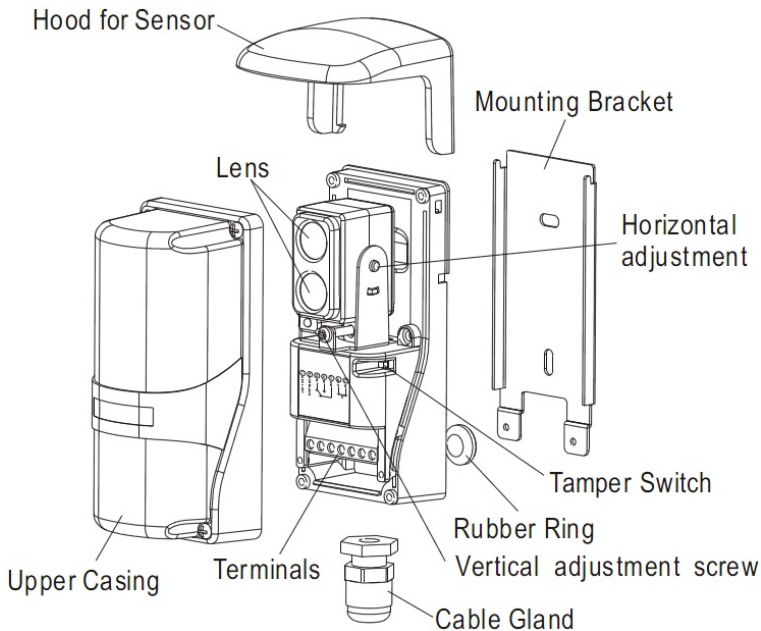
Fail-safe

## SPECIFICATIONS

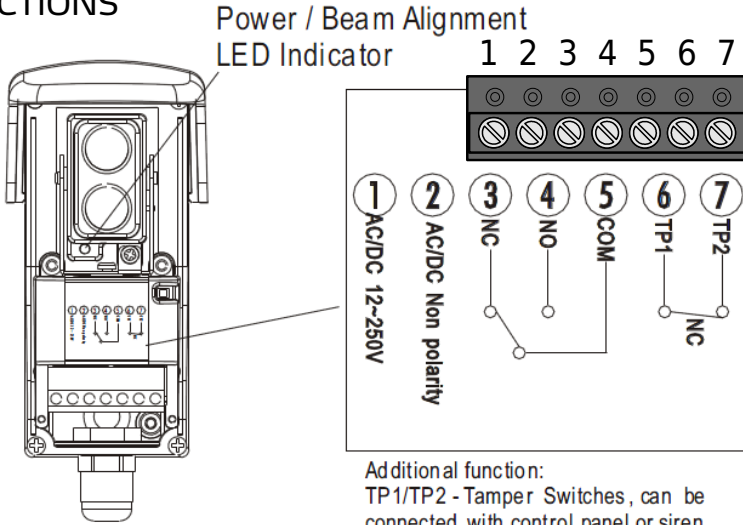
Input voltage	12 to 250 V AC/DC
Range	32 ft. / 10 m
Response time	10 msec.
Relay react time	100 msec.
Weather rating	IP66*
Operating temperature F	-13 to 140°F
Operating temperature C	-25 to 60°C
Contact @ 120VAC	0.5A
Contact @ 30VDC	1A

\* When properly installed with supplied cable gland

## COMPONENTS



# CONNECTIONS



LED INDICATOR	
RED	NOT ALIGNED
RED - FLASHING	MARGINALLY ALIGNED
GREEN	ALIGNED

Additional function:  
 TP1/TP2 - Tamper Switches, can be connected with control panel or siren as burglar alarm.

# CONNECTION GUIDE FOR BFT CONTROL BOARDS

TERMINAL	DESCRIPTION	LIBRA	QSCD	RIGEL 4	RIGEL 5	THALIA	THALIA UL
1	12 - 250 V AC/DC	11	12	15	20	50	50
2	12 - 250 V AC/DC	12	13	16	21	51	51
3	Relay, Normally Closed	15	21	32	52	70	70
4	Relay, Normally Open						
5	Relay, Common	18	24	33	55	79	72
6	Tamper Switch, N.C.						
7	Tamper Switch, COM						

# DIMENSIONS

